



## TPS1 SERIES

### Yoke Mount LED Floodlight

#### HIGHLIGHTS

- "Taper Lock" Yoke infinitely adjust from 0 degrees to 90 degrees for precise aiming
- Copper Free aluminum housing to meet the most demanding lighting environments
- Programmable driver with 0-10V dimming
- CCTs: 30K, 41K, 53K, Blue, Green, Red & Phosphor converted Amber
- Optional 6KV surge protector

**5**  
YEAR  
warranty

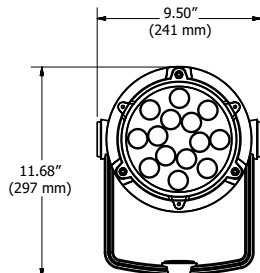
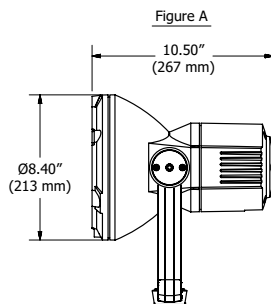

IP66



#### Specifications

EPA:	0.7 ft <sup>2</sup> 0.065 m <sup>2</sup>
Length:	10.5" 267 mm
Width:	9.50" 241 mm
Height:	11.68" 297 mm
Height <sup>2</sup> :	8.40" 213 mm
Weight:	15 lbs

#### DIMENSIONS



#### LUMEN PACKAGES

	NSP	MFL	FL	WFL	HSP	HFL	VWFL
Delivered Lumens	2,666	2,548	2,377	2,685	2,214	2,498	2,187
Watts	34	34	34	34	34	34	34
LPW	81	77	72	81	67	76	66
Peak Candela	31,713	13,392	1,661	955	16,163	10,951	815

Note: Information based on 4000K

**ORDERING INFORMATION**
**EXAMPLE: TPS1 18LED WHT41K MVOLT NSP YM BL**

Model*	Lamp type*	Color*	Voltage*	Distribution*	Mounting*	Mounting Accessories
TPS1	18LED	<b>WHT30K</b> 3000°K Color Temp	<b>MVOLT</b> (120-277 Volt)	<b>NSP</b> Narrow Spot	<b>YM</b> Yoke Mount with Taper Lock	<b>EWM_</b> Ext. Wall Mt available 12"-48" in 6" increments
		<b>WHT41K</b> 4100°K Color Temp		<b>MFL</b> Medium Flood		
		<b>WHT53K</b> 5300°K Color Temp		<b>FL</b> Flood	<b>PAS_/_</b> Pole Arm Square 4", 5", or 6" Pole 12", 18", or 24" length (i.e. PAS4/24)	
		<b>RED</b> Red		<b>VWFL<sup>1</sup></b> Very Wide Flood (no optics)	<b>PATR_/_<sup>2</sup></b> Pole Arm Twin Round 4", 5", or 6" Pole 12", 18", or 24" length (i.e. PATR6/12)	
		<b>GRN</b> Green		<b>HSP</b> Horizontal Spot	<b>PATS_/_<sup>2</sup></b> Pole Arm Twin Square 4", 5", or 6" Pole 12", 18", or 24" length (i.e. PATS6/12)	
<b>BLU</b> Blue	<b>HFL</b> Horizontal Flood	<b>WMTL</b> Wall Box w/ Taper Lock				
<b>AMBPC</b> Phosphor converted Amber						

Mounting Accessories (Cont'd)	Accessories	Options	Finish*
<b>WPTL</b> Wall Plate w/ Taper Lock	<b>Internal</b>	<b>Controls</b>	<b>BL</b> Black
<b>ARTL</b> Arch. Junction Box w/ Taper Lock	<b>CFAMB</b> Color filter Amber	<b>LDIM</b> LED Dimming	<b>BZ</b> Bronze
<b>PMT<sup>2</sup></b> Pole Mount Tee	<b>CFRED</b> Color filter Red	<b>Protection</b>	<b>DDB</b> Dark Bronze
<b>PSSA</b> Ped. Stanchion Splice Access	<b>CFBLUE</b> Color filter Blue	<b>SPD6KV</b> Surge Protector	<b>DNA</b> Natural Aluminum
<b>PMSA</b> Pole Mt Splice Access	<b>CFGRN</b> Color filter Green		<b>GN</b> Green
<b>SMSA_</b> Stan. Mt Splice Access available 12"-48" in 6" increments	<b>IHL</b> Internal Honeycomb Louver		<b>GR</b> Gray
<b>SMT<sup>2</sup></b> Stanchion Mt Tee	<b>FRF</b> Frosted Filter		
	<b>External</b>		
	<b>GS</b> Glare Shield		
	<b>FGS</b> Full Glare Shield		
	<i>Note: External options are mutually exclusive, choose one.</i>		

\* Required Field

Notes:

- 1 FRF filter needed with VWFL.
- 2 Requires two fixtures per mounting.
- 3 Add Zinc undercoat for harsh environments.

**ELECTRICAL LOAD**

Light Engines	Drive Current (mA)	System Watts	Current (A)			
			120	208	240	277
18 LED	550	34	0.28	0.16	0.14	0.12

**PROJECTED LED LUMEN MAINTENANCE**

Data references the extrapolated performance projections for the Fixture platform in a 25°C ambient, based on 10,000 hours of LED testing (tested per IESNA LM-80-08 and projected per IESNA TM-21-11).

To calculate LLF, use the lumen maintenance factor that corresponds to the desired number of operating hours below. For other lumen maintenance values, contact factory.

Operating Hours	0	25,000	50,000	100,000
<b>Lumen Maintenance Factor</b>	1.0	0.99	0.98	0.96

**LUMEN AMBIENT TEMPERATURE (LAT) MULTIPLIERS**

Use these factors to determine relative lumen output for average ambient temperatures from 0-40°C (32-104°F).

Ambient	Lumen Multiplier
0°C	1.02
10°C	1.01
20°C	1.00
25°C	1.00
30°C	0.99
40°C	0.98

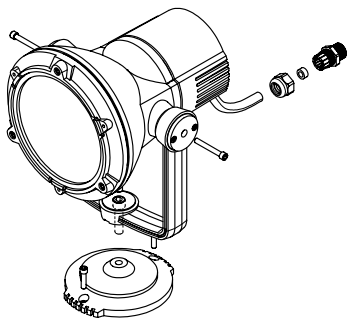
## PERFORMANCE DATA

Lumen values are from photometric tests performed in accordance with IESNA LM-79-08. Data is considered to be representative of the configurations shown, within the tolerances allowed by Lighting Facts. Actual performance may differ as a result of end-user environment and application. Contact factory for performance data on any configurations not shown here.

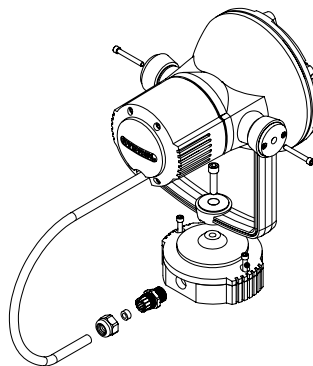
Performance Package	System Watts	Distribution	Field Angle		Beam Angle		30K (3000K, 70CRI)			40K (4000K, 70CRI)			50K (5000K, 70CRI)		
			°H	°V	°H	°V	Max Cd	Lumens	LPW	Max Cd	Lumens	LPW	Max Cd	Lumens	LPW
18LED	34	NSP	27	27	15	15	18,642	1567	47	31,713	2666	81	31,713	2,666	81
		MFL	40	40	22	22	8,059	1533	46	13,392	2548	77	13,478	2565	78
		FL	95	83	76	56	1,015	1452	44	1,661	2377	72	1,661	2377	72
		WFL	136	136	114	114	573	1610	49	955	2685	81	954	2685	81
		HSP	42	27	26	13	9,696	1329	40	16,163	2214	67	16,163	2214	67
		HFL	61	30	40	16	6,480	1478	45	10,951	2498	76	10,951	2498	76
		VWFL	141	141	110	110	488	1311	40	815	2187	66	815	2187	66

OPERATING TEMPERATURE: -30°C through 40°C

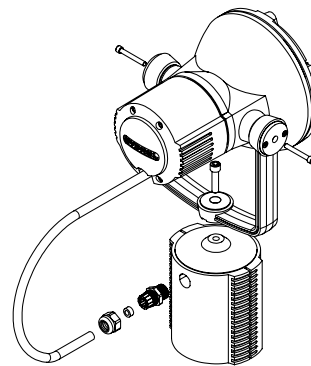
## MOUNTING ACCESSORIES



**WPTL**  
Die-cast aluminum Wall Mount Plate designed for surface mounting of the taper lock yoke on the TPS fixture to any surface.



**WMTL**  
Die-cast aluminum Wall Mount cover for mounting the TPS series fixtures with the taper lock yoke can be used over a recessed or surface mount conduit.



**ARTL**  
The Architectural Junction Box is a die-cast aluminum accessory for direct mounting of the TPS series lighting fixtures.

## EXTERNAL ACCESSORIES



**FGS** — Full Glare Shield  
Formed aluminum with A360 die-cast mounting ring, field installable.



**GS** — Glare Shield  
Formed aluminum with A360 die-cast mounting ring, field installable.

---

## SPECIFICATIONS AND FEATURES

---

**MATERIAL:** Die Cast Aluminum (A360) housing, Galvanized Steel brackets, black silicone gaskets with stainless steel fasteners.

**LED:** White and Monochromatic LED to 34 watts. Lumen maintenance of individual sources has been independently tested using IESNA LM80 standards. All within 3 MacAdam ellipses.

**VOLTAGE:** MVOLT

**OPTICS:** NEMA flood (2x2 through 6x6), horizontal flood, horizontal spot.

**LENS:** Flat tempered glass for maximum resistance to impact.

**MOUNTING:** Taper Lock Yoke mounted with 10' of 18-3 STW flexible cord.

**GLARE CONTROL:** Internal glare control and external glare control available.

**ELECTRICAL:** MVOLT (120-277) integral LED power supply, 550mA.

**FINISH:** Exterior parts are protected by a zinc-infused super durable TGIC thermoset powder coat finish that provides superior resistance to corrosion and weathering. A tightly controlled multi-stage process ensures a minimum 3 mils thickness for a finish that can withstand extreme climates without cracking or peeling.

**FASTENERS:** Stainless steel.

**BUY AMERICAN ACT:** This product is assembled in the USA and meets the Buy America(n) government procurement requirements under FAR, DFARS and DOT regulations. Please refer to [www.acuitybrands.com/buy-america](http://www.acuitybrands.com/buy-america).

**LISTING:** cCSAus, Wet Location, Laboratory tests conducted by CSA to UL Standards UL-1598 & UL-8750

**PATENT NO.:** US D663,877 S

**WARRANTY:** 5-year limited warranty. This is the only warranty provided and no other statements in this specification sheet create any warranty of any kind. All other express and implied warranties are disclaimed. Complete warranty terms located at: [www.acuitybrands.com/support/customer-support/terms-and-conditions](http://www.acuitybrands.com/support/customer-support/terms-and-conditions)

**NOTE:** Actual performance may differ as a result of end-user environment and application. All values are design or typical values, measured under laboratory conditions at 25 °C. Specifications subject to change without notice.