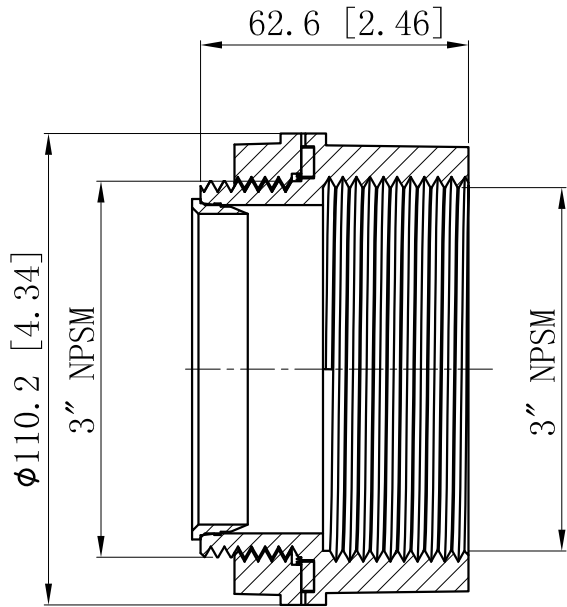
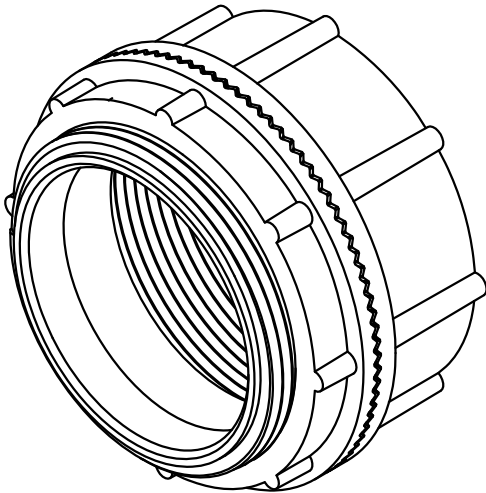
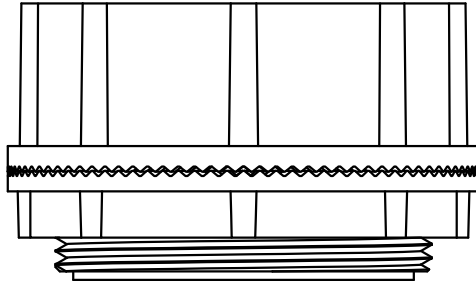
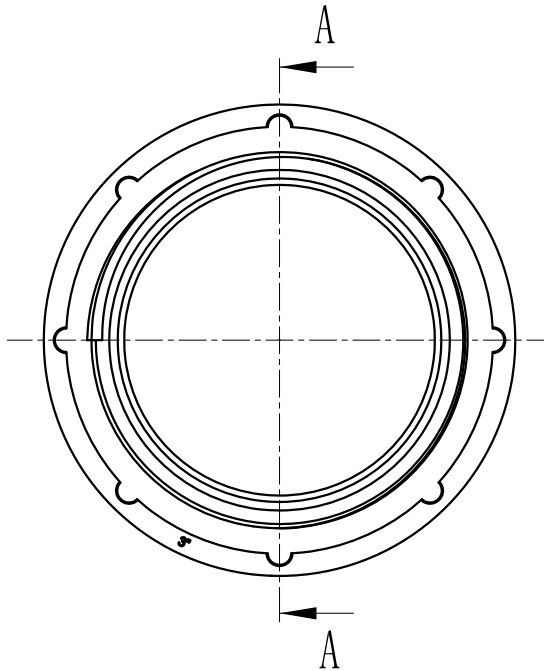


SIDES	BOTTOM
Material: 316 Stainless steel	



CUTAWAY VIEW A-A



This data sheet is for reference only .GARVIN INDUSTRIES reserves the right to make changes to the design without prior notice.

DESCRIPTION
TRADE REFERENCE TERMS

STANDARD PACKING
5 PCS

<b>GARVIN INDUSTRIES</b>		
TITLE WATERTIGHT HUB (INSULATED THROAT)		
SIZE A4	DWG NO. WH300-SS	REV
DATA SHEET		