

FLEXSTEEL®

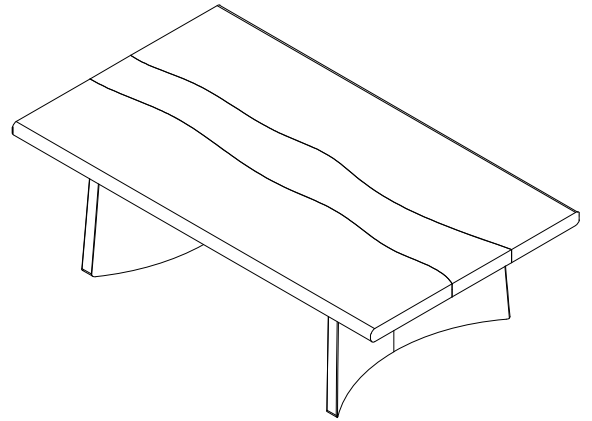
W1016-031

Rectangular Coffee Table

IMPORTANT NOTE

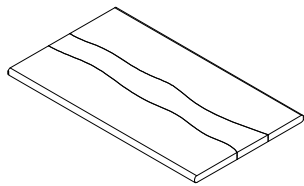
Carefully remove all the parts from the carton and put them individually on a soft cloth to prevent damage to the parts.

We have taken great care in the design of this product and request that you carefully and strictly follow our assembly instructions to ensure a completed product as it was designed.

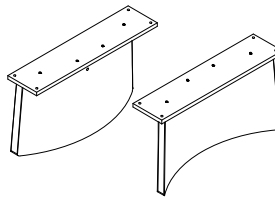


Part List

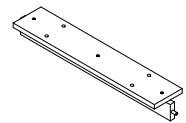
Assembly Instructions 1/3



A. Table Top
1 piece



B. Leg
2 pieces



C. Wood Bar
1 piece

Hardware List



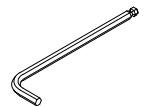
1.Flat Washer
 $\Phi 5/16 \times 19 \times 1.5\text{mm}$
12 pieces



2.Spring Washer
 $\Phi 5/16$ "
12 pieces



3.Bolt
 $\Phi 5/16$ " - 18 UNC*38mm
12 pieces



4.Hex Key
110*25*4mm
1 piece

IMPORTANT NOTES

- Do not tighten up all the bolts until each part is properly assembled.
- Keep the Hex Key in a safe place as you may need to tighten up the bolts in the future.
- Use a soft cloth between these parts and the floor.
- We recommend this product be assembled by at least two adults.

STEP 1

To assemble the Wood Bar, attach Wood Bar (C) to Table Top (A) by 4 Bolts (3), 4 Spring Washers (2), and 4 Flat Washers (1), loosely with the Hex Key (4). (See Figure 1.)

Note: Do not fully tighten until STEP 2 is complete.

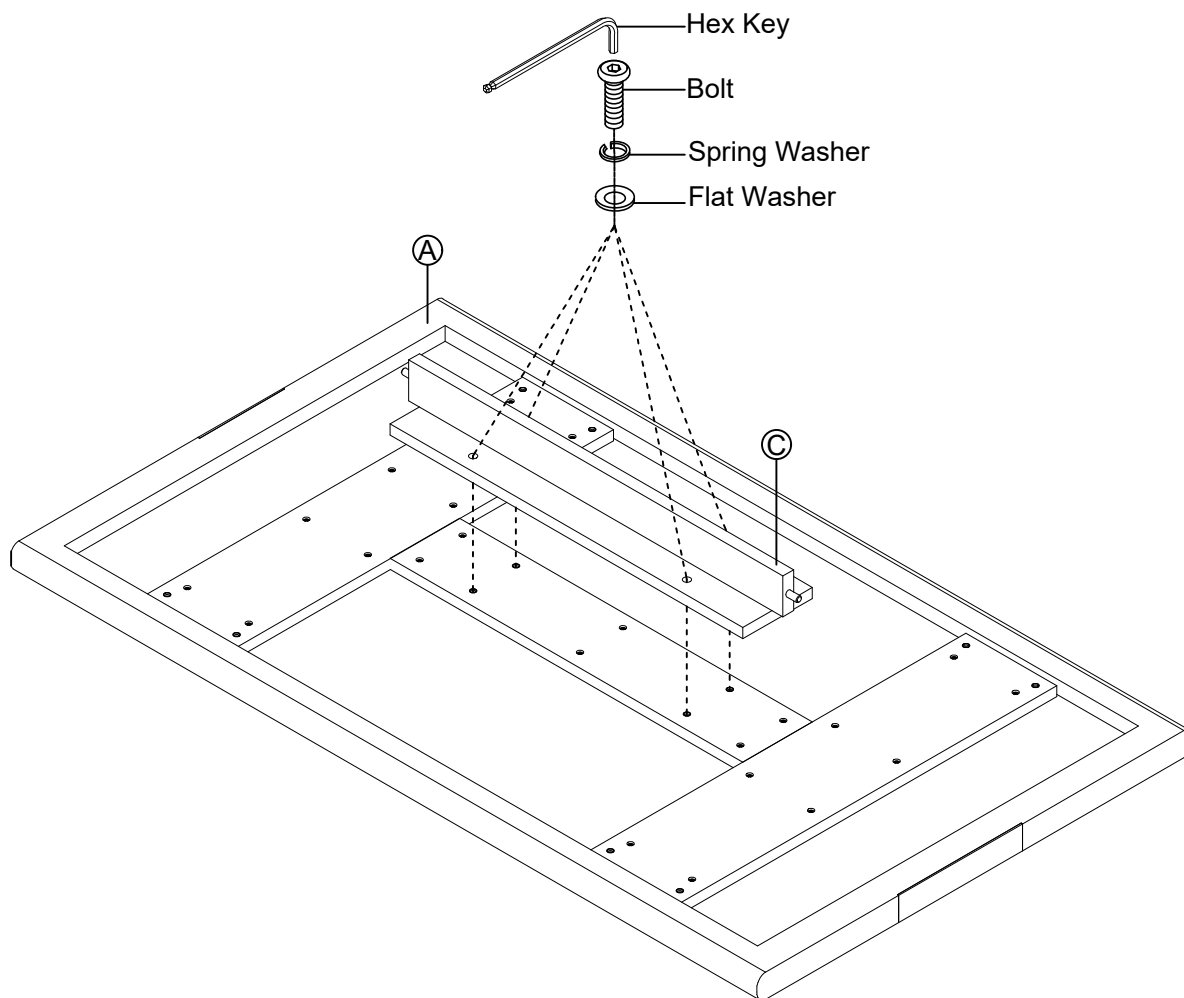


Figure 1

STEP 2

Assemble Leg (B) to Wood Bar (C) by inserting the wood dowels on wood bar into legs. Then fix the Leg (B) to Table Top (A) with 4 Bolt (3), 4 Spring Washer (2) and 4 Flat Washer (1), tighten with Hex Key (4). Repeat this step on the other leg. (See Figure 2.)

Note: Fully tighten all the bolts with the Hex Key (4) after the legs are installed.

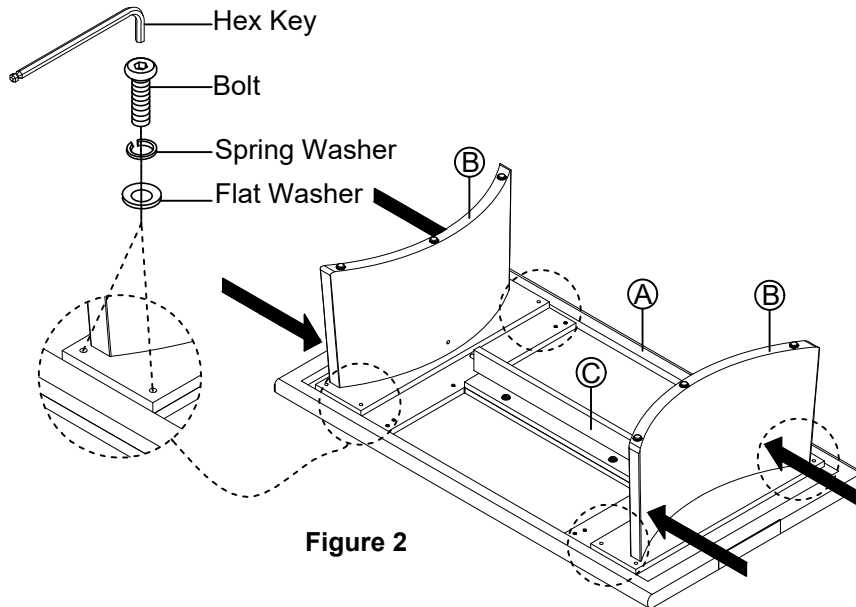


Figure 2

STEP 3

Flip table over and adjust the levelers on the legs until the furniture is leveled. (See Figure 3.)

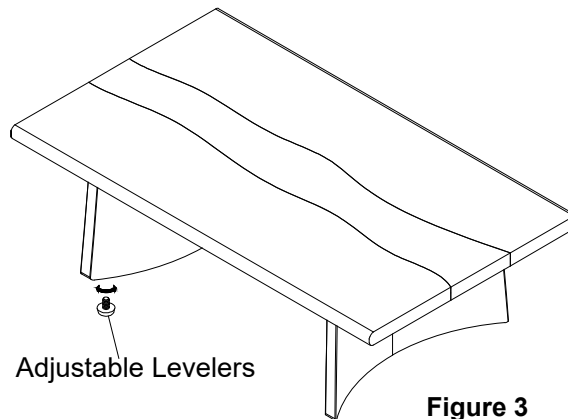


Figure 3

CARE INSTRUCTIONS

- To avoid scratches, do not place sharp or jagged objects directly on the table top.
- Do not place hot items directly on the tabletop.
- Use placemats or trivets under hot items and coasters under beverages to prevent marks and stains.
- Avoid the use of harsh chemicals or abrasive cleaning materials.
- Wipe the table clean with a soft, dry cloth after each use.
- Wipe up spills quickly with a soft, dry cloth.

Flexsteel Industries, Inc.

For Parts or Customer Service call toll-free: 1-888-415-3979

Monday-Friday, 8:00-5:00pm Central Time

Email: customersolutions@flexsteel.com

www.flexsteel.com