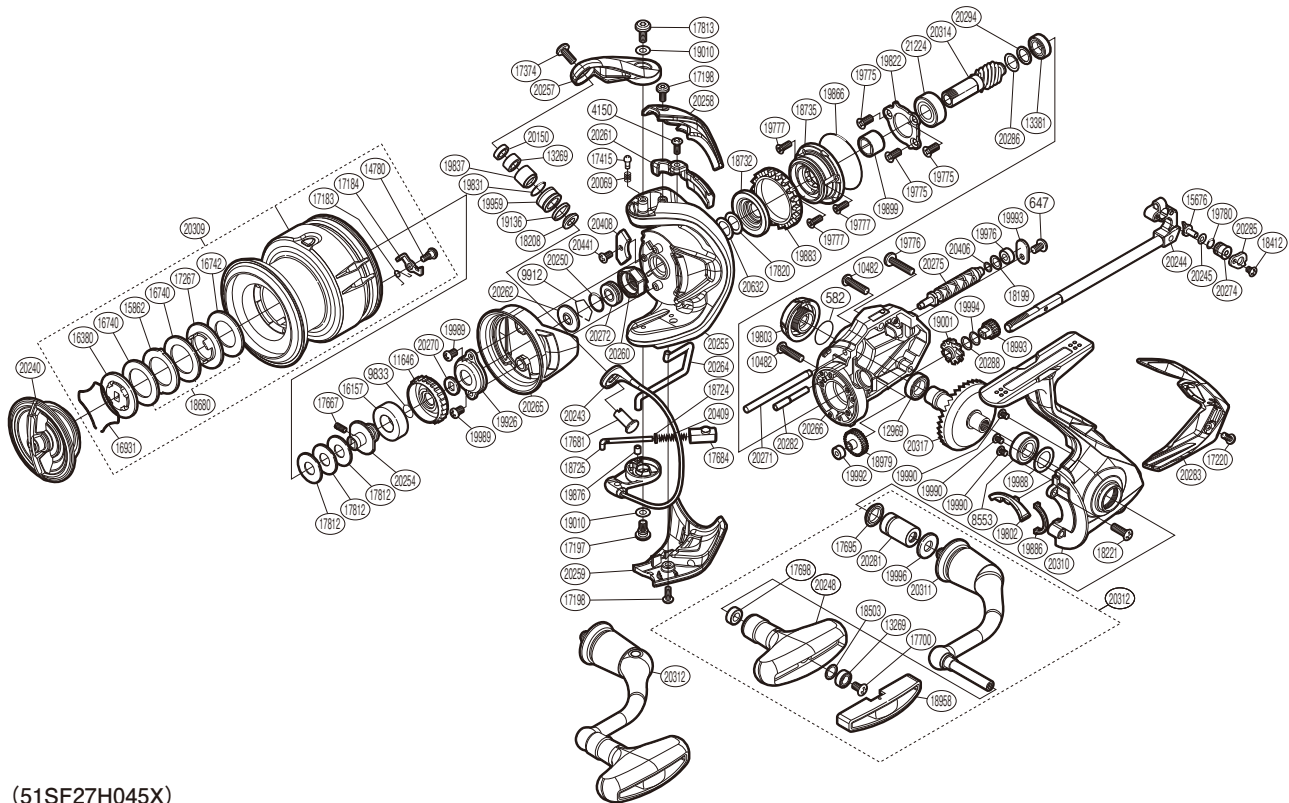


SHIMANO

STRADIC

STRADIC4000XGL



(51SF27H045X)

#	Part No.	Description	#	Part No.	Description	#	Part No.	Description
582	108WH	O Ring	18503	101BD	Washer	20244	10SPJ	Main Shaft Assembly
647	10QG5	Screw	18680	10SAD	Drag Washer	20245	101AT	Washer
4150	103KS	Screw	18724	101D9	Spring Guide A Support	20248	10SPK	Handle Knob Assembly
8553	107AT	Ball Bearing	18725	10DJN	Bail Spring Guide A	20250	101GT	O Ring
9833	107V2	Ratchet Spring	18732	101D5	Rotor Ring	20254	10DYE	Bearing Bushing
9912	10GEW	Bearing Retainer	18735	10S2L	Roller Clutch Assembly	20255	10RRZ	Rotor
10482	10LZ6	Screw	18958	10TNL	Handle Knob Seal	20257	10RRL	Bail Arm
11646	107PS	Drag Click Ratchet	18979	10074	Idle Gear	20258	10RSD	Bail Spring Cover
12969	107FA	Ball Bearing	18993	10SM7	Idle Gear (Small)	20259	10RSH	Bail Hold Support Guard
13269	104VX	Ball Bearing	19001	1006V	Idle Gear (Large)	20260	10E3H	Rotor Nut
13381	104JT	Ball Bearing	19010	100MF	Washer	20261	10RS3	Counter Weight
14780	10A6F	Screw	19136	10RFZ	Line Roller Spacer	20262	10DY6	Bearing Water Proof
15676	106VJ	Oscillating Pawl	19775	100WY	Screw	20264	10DY7	Bail Trip Lever
15862	102XW	Eared Washer	19776	100WP	Screw	20265	10RSB	Rotor Brim
16157	10J3G	Spool Bushing	19777	100WT	Screw	20266	10RS2	Body
16380	10QBV	Key Washer	19780	100WX	O Ring	20270	103NY	Spool Support
16740	10345	Drag Washer	19802	1017Y	Bail Trip Strike	20271	10DYF	Oscillating Guide A
16742	10C1A	Drag Washer	19803	10RSK	Handle Screw Cap	20272	10DXZ	Main Shaft Collar
16931	10B8N	Drag Washer Retainer	19822	10DWD	Bearing Retainer	20274	1010C	Oscillating Slider Bushing
17183	10BQF	Drag Click Spring	19831	1009E	O Ring	20275	10DYB	Worm Shaft
17184	102H5	Drag Click	19837	1009K	Line Roller Bushing	20281	10DYA	Handle Shaft Cover B
17197	10PS5	Screw	19866	1009Z	O Ring	20282	10DYJ	Idle Gear B Shaft
17198	10PS7	Screw	19876	1009B	Bail Spring Guide A Bush	20283	10RRQ	Rear Protector
17220	10PRZ	Screw	19883	10QXQ	Friction Ring	20285	1010D	Oscillating Pawl Cover
17267	10BCG	Key Washer	19886	1009W	Flange Water Proof	20286	10E3T	Washer
17374	10K90	Screw	19899	1009Y	Roller Clutch Inner	20288	10G6D	Washer
17415	106ZC	Click Pin	19926	1076N	Rotor Nut Lock Plate	20294	10GD9	Washer
17667	10PN3	Set Screw	19959	1009A	Line Roller	20309	10DYX	Spool Assembly
17681	10TPC	Line Roller Support	19976	1009C	Worm Bushing (Rear)	20310	10SQ0	Side Cover Assembly
17684	107AB	Bail Spring Guide B	19988	10DZ3	Washer	20311	10SE6	Handle Shank Assembly
17695	10PXV	Handle Shaft Seal	19989	103GW	Screw	20312	10DYY	Handle Assembly
17698	10PXZ	Handle Knob Bushing	19990	1055H	Screw	20314	10DZ1	Pinion Gear
17700	10LFA	Screw	19992	1009G	Worm Bushing (Front)	20317	100Y1	Drive Gear
17812	10BSL	Spool Washer	19993	10S7C	Worm Shaft Retainer	20406	101E5	Washer
17813	10DN9	Screw	19994	10TBA	Washer	20408	10SJN	Counter Weight A
17820	10GR6	Washer	19996	10H9N	Washer	20409	10RC7	Bail Spring
18199	10ECK	Washer	20069	10HE7	Click Spring	20441	101H6	Screw
18208	10TJM	Spacer	20150	10E44	Line Roller Collar	20632	10GR5	Washer
18221	10L6G	Screw	20240	10DYK	Drag Knob	21224	10E7A	Ball Bearing
18412	10LCT	Screw	20243	10SPM	Bail Assembly			

Please note that the number of adjusting washers may not be the same as shown in the exploded views.
(Adjustment will vary with each individual product.)