

SPEAKMAN®

VPL-C1D2 (Hazardous & Non-Hazardous Area Light) Installation, Maintenance & Operation Instructions

DESCRIPTION

Non-metallic, non-corrosive, incandescent style light with pendent type $\frac{3}{4}$ " NPT male connection, and glass globe. Rated for use with 194°F minimum supply wire. When installed per applicable hazardous area wiring practices, the light meets Class I, Div. 2, Groups A,B,C,D and is suitable for NEMA 4X wet locations.

SPECIFICATIONS

LIGHT FIXTURE BODY: GLASS-FILLED THERMOPLASTIC POLYESTER.

LAMP (**NOT INCLUDED**): USE 60 WATT INCANDESCENT LAMP. (MAXIMUM LAMP WATTAGE 150A)

GLOBE: TEMPERED GLASS. (ALL COLORS)

SUPPLY WIRING: LIGHT RATED TO BE INSTALLED USING CONDUCTORS RATED FOR MINIMUM 194°F.

OPTIONS:

The area light is also available with Amber, Blue, Green, and Red globes and should be ordered as follows:

VPL-AMBER-C1D2	Amber
VPL-BLUE-C1D2	Blue
VPL-GRN-C1D2	Green
VPL-RED-C1D2	Red

“TYPICAL” INSTALLATION

**** IMPORTANT ** : TURN ALL ELECTRICAL POWER TO UNIT OFF BEFORE MOVING FORWARD !!!!!!!**

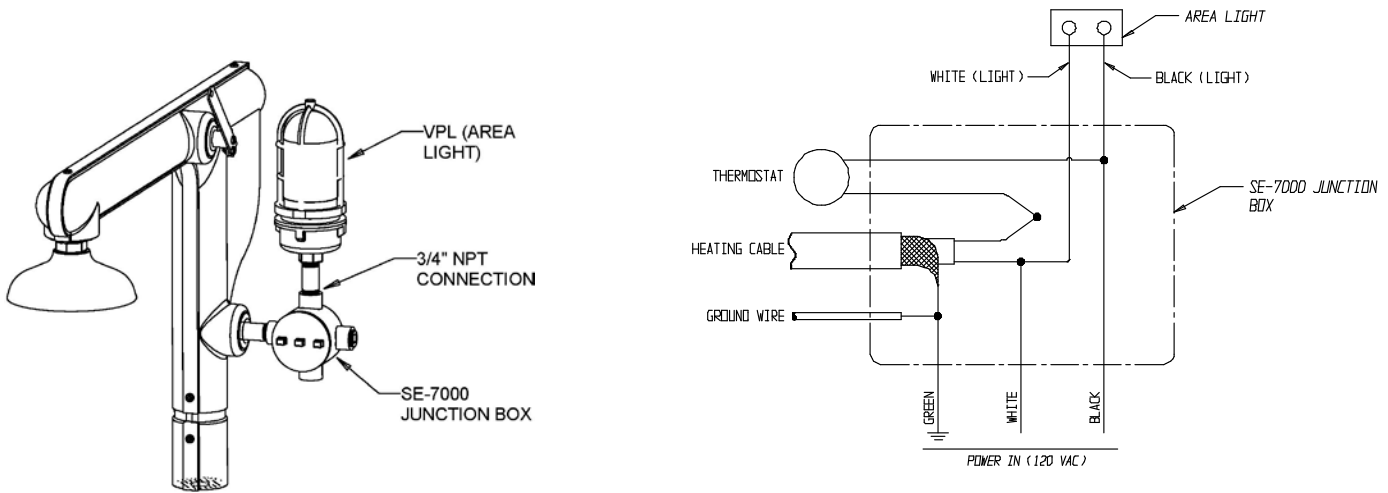
Both the non-hazardous & hazardous lights are assembled by connecting them to a $\frac{3}{4}$ " NPT female connection, junction box, sealing fitting (C1D2), etc. Feed wires into junction, etc. and apply thread locker/sealant to $\frac{3}{4}$ " NPT male thread, and tighten threaded connection while making sure the (2) supply wires do not get tangled, scarred, or nicked. Temporarily taping the (2) wires together helps in avoiding this potential damage. *When tightening, do so by grabbing the galvanized conduit with pipe wrench, etc. Do not grab non-metallic light fixture to tighten.* Once connection is tight and light is positioned accordingly, remove tape from (2) light wires and *make electrical connection following all local, and NEC electrical codes.* Re-attach all junction box covers, etc. and turn power on. Once power is turned on the area light should illuminate.

“RETRO-FIT SE-7000” INSTALLATION

**** IMPORTANT ** : TURN ALL ELECTRICAL POWER TO UNIT OFF BEFORE MOVING FORWARD !!!!!!!**

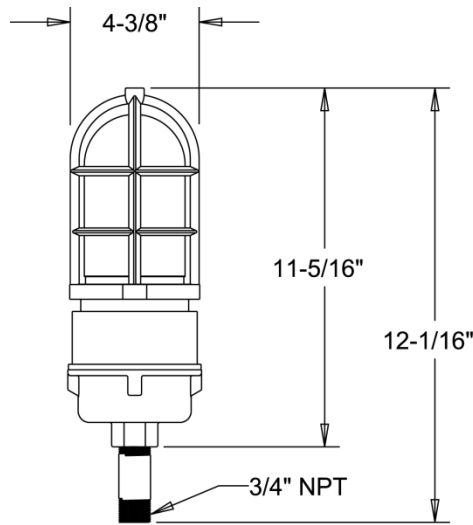
Both the non-hazardous & hazardous lights are assembled by connecting them to the $\frac{3}{4}$ " NPT female top outlet connection on the SE-7000 junction box. Feed the (2) light wires into the top outlet of the SE-7000 junction box, and apply thread locker/sealant to $\frac{3}{4}$ " NPT male thread on light conduit, and tighten threaded connection while making sure the (2) supply wires do not get tangled, scarred, or nicked. Temporarily taping the (2) wires together helps in avoiding this potential damage. *When tightening, do so by grabbing the galvanized conduit with pipe wrench, etc. Do not grab non-metallic light fixture to tighten.* Once connection is tight and light is positioned accordingly, remove tape from (2) light wires and *make electrical connections using the wiring schematic below, and following all local, and NEC electrical codes.* Re-attach all junction box covers, etc. and turn power on. Once power is turned on the area light should illuminate.

SPEAKMAN®



SE-7000 WITH VPL-C1D2 CONFIGURATION & WIRING SCHEMATIC

ROUGH-IN DIMENSIONS



VPL-C1D2 ROUGH-IN

MAINTENANCE

The light should not require maintenance, other than the occasional light bulb replacement. Should you need parts to repair this unit, please reference the parts listing below for correct part numbers.

WARNING: Use only genuine Speakman parts when repairing or replacing components. To order parts call 1-800-537-2107.

VPL-C1D2 REPLACEMENT/REPAIR PARTS

PART NUMBER	DESCRIPTION
76-0093	Clear Globe
76-0133	Amber Globe
76-0134	Blue Globe
76-0031	Green Globe
76-0095	Red Globe

SPEAKMAN®