

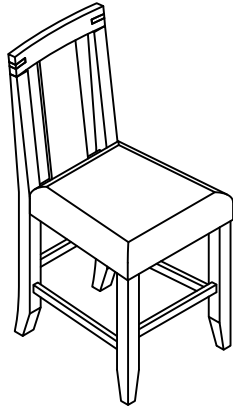
MEADOW COUNTER STOOL

ASSEMBLY INSTRUCTIONS



PARTS AND PACKING CONFIGURATIONS

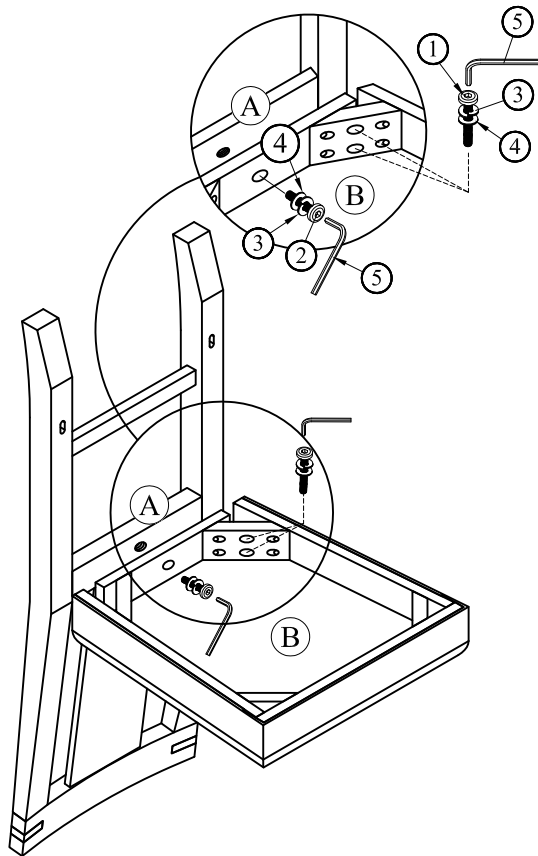
A. CHAIR BACK 1PC	B. CHAIR SEAT 1PC	C. FRONT LEG 2 PCS	D. STRETCHER 2 PCS	E. FOOT REST 1 PC



HARDWARE PACKED IN CARTON

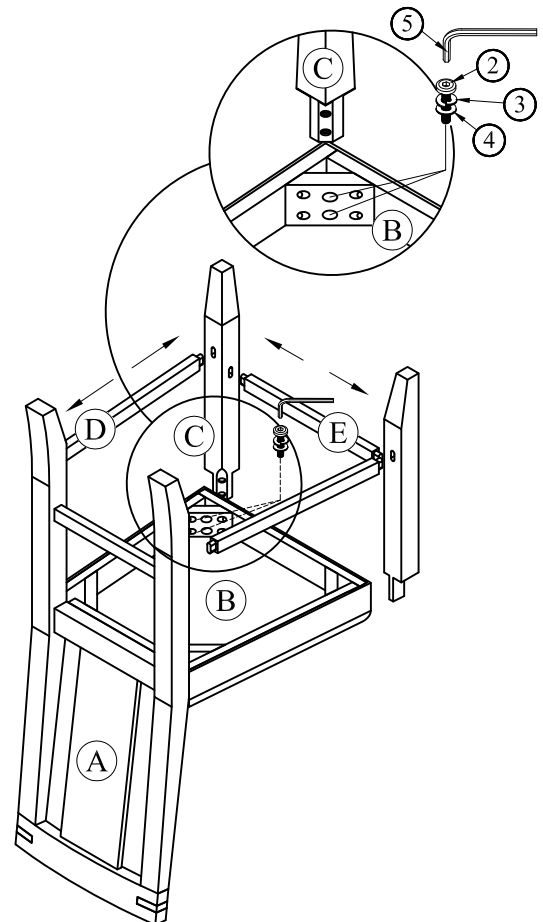
NO.	DESCRIPTION	PHOTO	QUANTITY
1	ALLEN BOLT (M8x85)		4 Pcs
2	ALLEN BOLT (M8x40)		5 Pcs
3	LOCK WASHER (M9)		9 Pcs
4	FLAT WASHER (M8)		9 Pcs
5	ALLEN KEY (M4x60)		1 Pc
6	WOOD SCREW (M4x50)		6 Pcs

STEP 1



DO NOT TIGHTEN BOLTS COMPLETELY

STEP 2



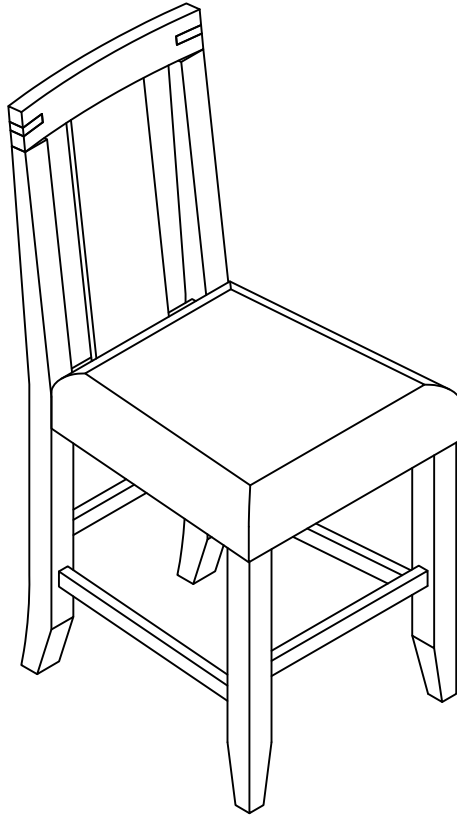
DO NOT TIGHTEN BOLTS COMPLETELY

MEADOW COUNTER STOOL

ASSEMBLY INSTRUCTIONS

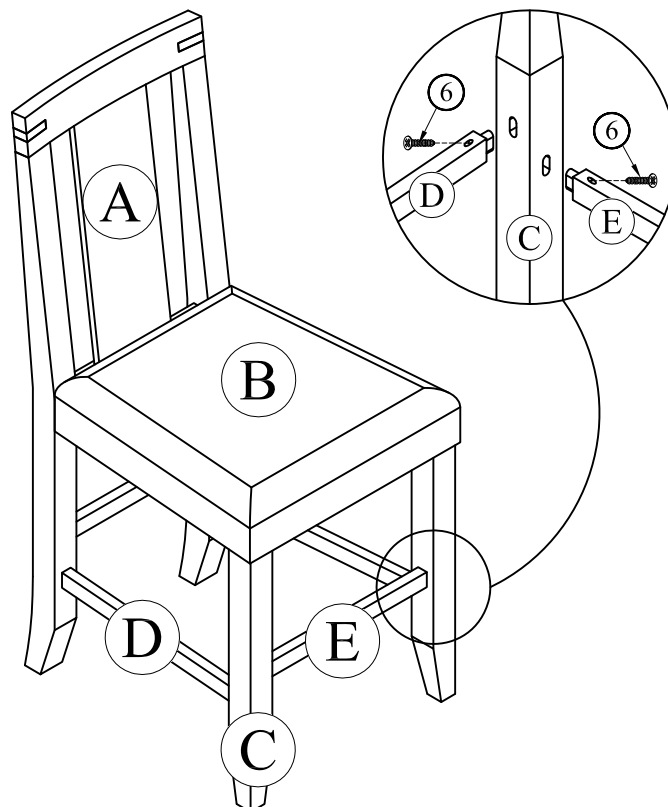


STEP 3



ON A FLAT, LEVEL SURFACE PLACE THE CHAIR UPRIGHT. WHEN CHAIR IS LEVELLED, PLEASE TIGHTEN ALL ASSEMBLY BOLTS COMPLETELY WITH PROVIDED ALLEN KEY.

STEP 4



COUNTER STOOL FULLY ASSEMBLED