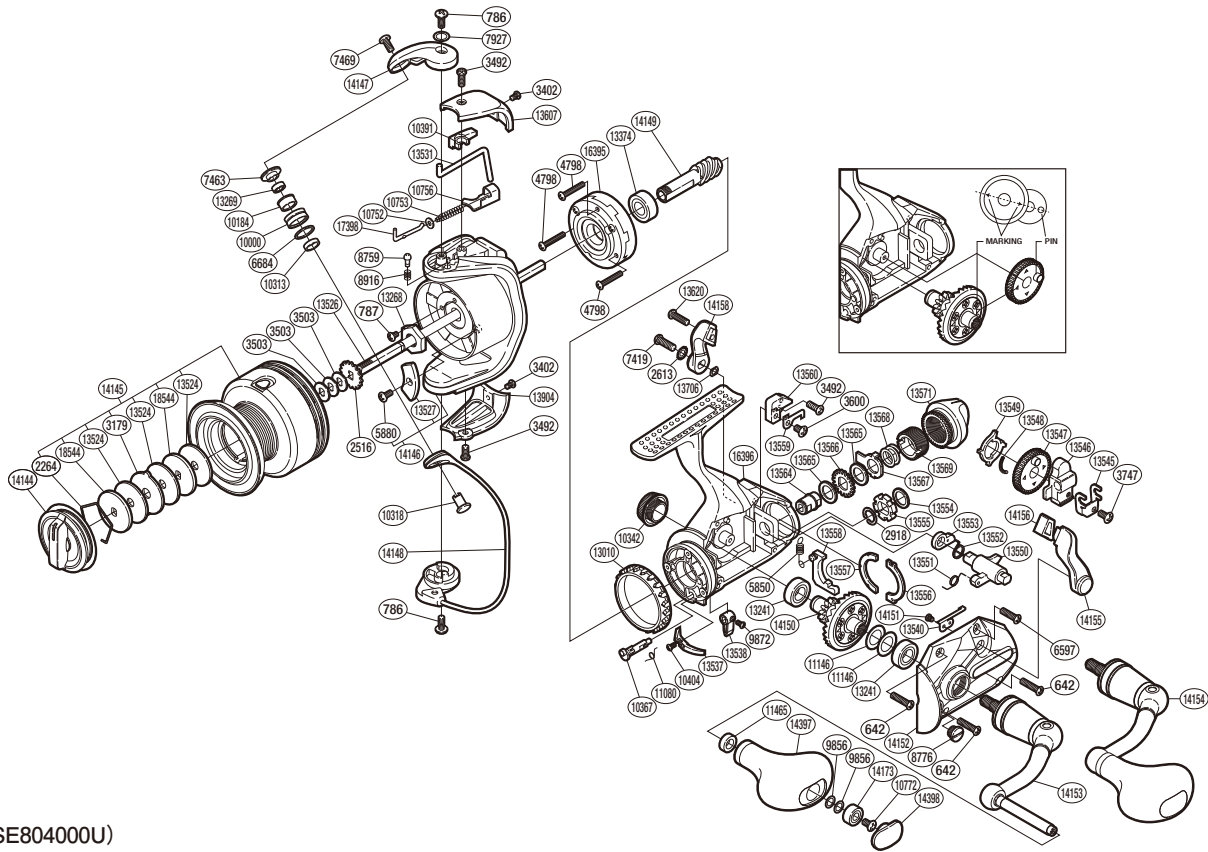


SHIMANO

THUNNUS CI4

TU-4000CI4



(51SE804000U)

#	Part No.	Description	#	Part No.	Description	#	Part No.	Description
642	10M35	Screw	10404	103N2	Screw	13559	106RX	Dial Click
786	103J1	Screw	10752	10TYE	Spring Guide A Support	13560	10JVT	Dial Click Holder
787	103L6	Screw	10753	10FVD	Bail Spring	13564	10MYR	Free Spool Tension Shaft
2264	10B8C	Drag Washers Retainer	10756	10HEB	Bail Spring Seat	13565	10P2F	Free Spool Tension Washer
2516	103PA	Spool Support	10772	103ED	Screw	13566	10LMF	Click Gear
2613	105N4	Lock Washer	11080	10DCN	Anti-Reverse Cam Spring	13567	107CS	Eared Washer
2918	105S3	C Lock	11146	10JDB	Washer	13568	106RT	Free Spool Tension Spring
3179	10BE4	Eared Washer	11465	104NZ	Handle Knob Shaft Collar	13569	106RP	Free Spool Tension Screw
3402	103ND	Screw	13010	10D7L	Friction Ring	13571	10LYD	Baitrunner Tension Dial
3492	103DC	Screw	13241	104JD	Ball Bearing	13607	10CUC	Bail Spring Cover
3503	10B XK	Spool Washer	13268	1080R	Rotor Nut	13620	10L6D	Screw
3600	103L4	Screw	13269	104VX	Ball Bearing	13706	1074X	Washer
3747	10LSQ	Screw	13374	104Q5	Ball Bearing	13904	10MEV	Bail Hold Support Guard
4798	103C6	Screw	13524	10PEG	Drag Washer	14144	102FM	Drag Knob
5850	10G75	Baitrunner Pawl Spring	13526	10P XK	Main Shaft	14145	10LXS	Spool Assembly
5880	10MT3	Screw	13527	10G69	Counter Weight	14146	10P7A	Rotor
6597	10M2R	Screw	13531	10FB4	Bail Trip Lever	14147	10JF7	Bail Arm
6684	10KFD	Line Roller Spacer	13537	10D90	Bail Trip Strike	14148	107M8	Bail Assembly
7419	10LLG	Screw	13538	10LR6	Anti-Reverse Lever	14149	105WH	Pinion Gear
7463	107WY	Line Roller Washer	13540	106S4	Baitrunner Click	14150	10A5B	Drive Gear
7469	10PMJ	Screw	13545	10JZR	Oscillating Slider Retainer	14151	10PCF	Baitrunner Click Retainer Pin
7927	10HWZ	Washer	13546	104WN	Oscillating Slider	14152	102TG	Side Cover
8759	106UX	Click Pin	13547	10PGP	Oscillating Gear	14153	1066H	Handle Shank Assembly
8776	104KM	Oil Cap	13548	10JVS	Oscillating Gear Ratchet Spring	14154	10LP6	Handle Assembly
8916	10CHO	Click Spring	13549	10JVR	Oscillating Gear Ratchet	14155	10Q75	Baitrunner Lever Arm L
9856	10HZ1	Washer	13550	106MV	Clutch Arm	14156	10P9K	Baitrunner Lever Bridge
9872	10PRU	Screw	13551	10GMW	Clutch Cam Spring	14158	108NT	Baitrunner Lever Arm R
10000	10KM8	Line Roller	13552	10N1U	Clutch Spring	14173	10KX2	Ball Bearing
10184	10PFH	Line Roller Bushing	13553	10LYS	Clutch Cam	14397	10MY3	Handle Knob
10313	10G8N	Bearing Spacer	13554	106WL	Spacer	14398	106K2	Handle Knob Seal
10318	10KZY	Line Roller Support	13555	10POP	Baitrunner Ratchet	16395	10QP1	Roller Clutch Assembly
10342	10P4G	Handle Screw Cap	13556	106S2	Dial Retainer	16396	102HY	Body
10367	104YE	Anti-Reverse Cam	13557	105OW	Dial Retainer B	17398	105LU	Bail Spring Guide A
10391	106XW	Bail Trip Cover	13558	10N0U	Baitrunner Pawl	18544	10N27	Key Washer

Please note that the number of adjusting washers may not be the same as shown in the exploded views.
(Adjustment will vary with each individual product.)

(230802)_004