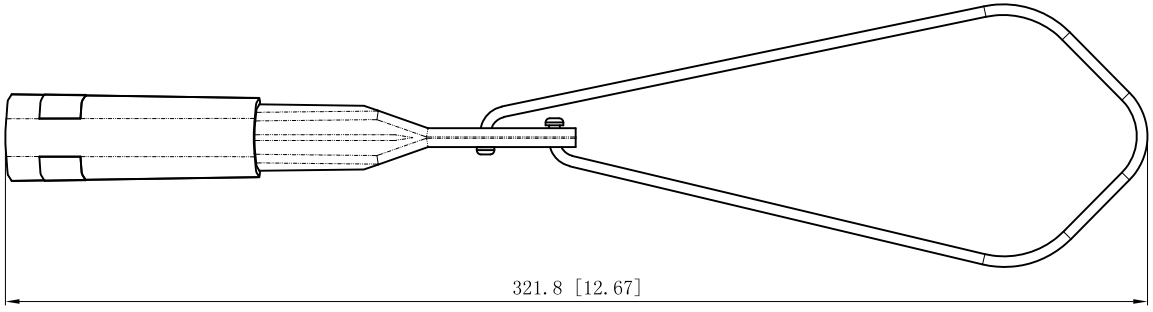
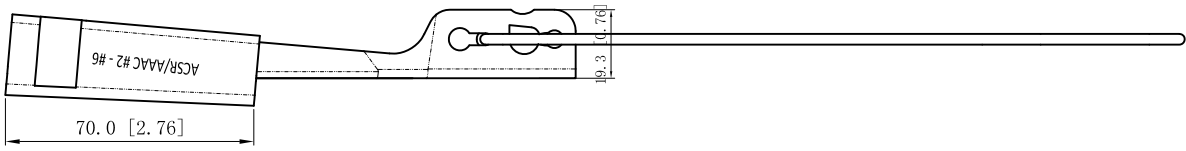
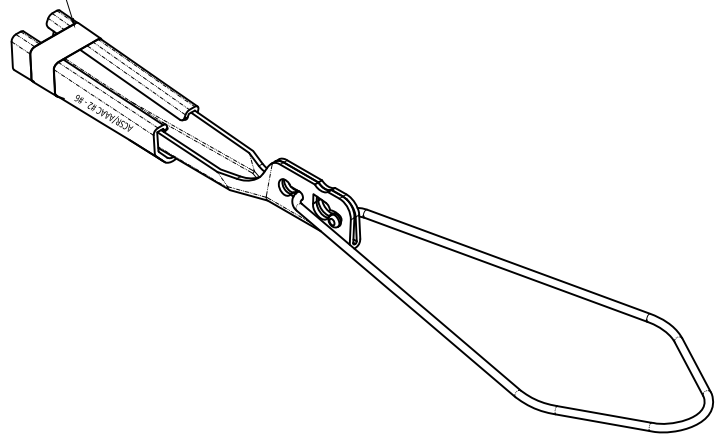
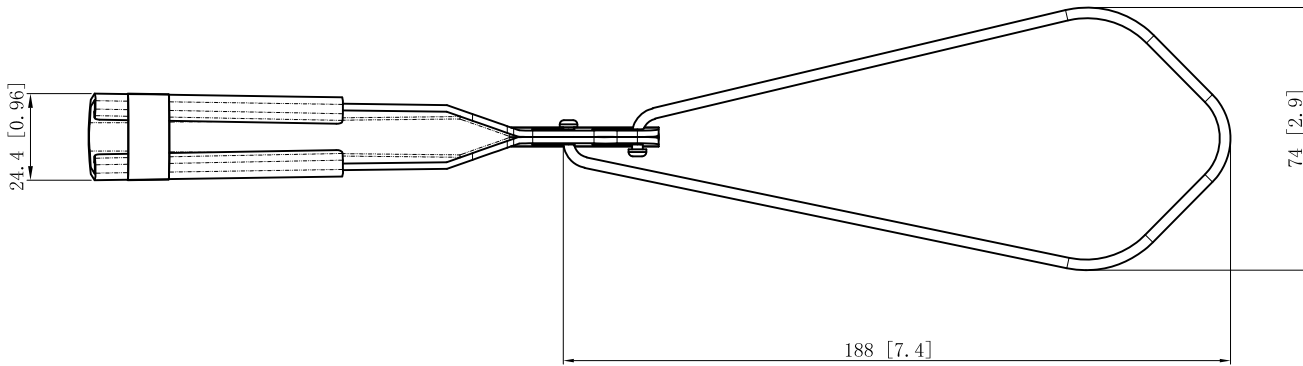


SIDES	BOTTOM
Material: Steel-0.069" - ALUMINUM	

CRT warning label,



This data sheet is for reference only .GARVIN INDUSTRIES reserves the right to make changes to the design without prior notice.

DESCRIPTION
TRADE REFERENCE TERMS

STANDARD PACKING
10 PCS

<b>GARVIN INDUSTRIES</b>		
UTILITY DROPWIRE MOUNTING BRACKETS		
TITLE	DWG NO.	REV
	CHOKR-1	A
SIZE	DATA SHEET	
A4		

www.garvinindustries.com