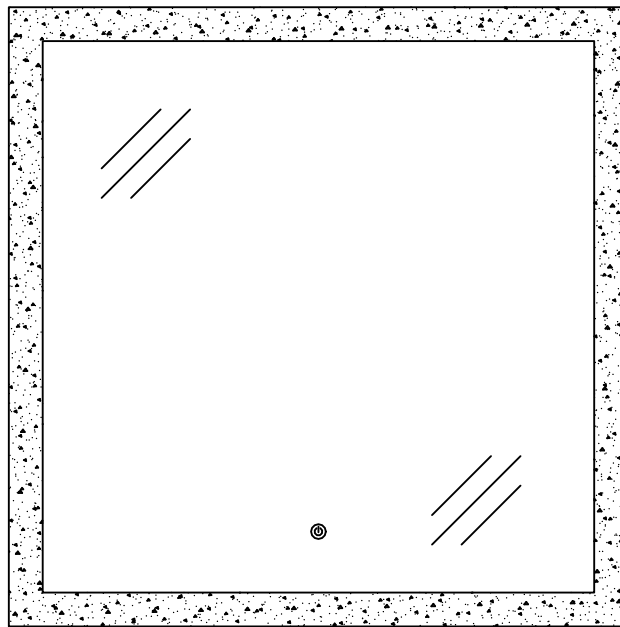


ANZZI®

Item: BA-LMDFX004AL  
ANZZI LED MIRROR  
INSTALL & OPERATION MANUAL  
V1.0



# DON'T WAIT! REGISTER NOW!

Register your product within 90 days to ensure your product is recognized as an official purchase and is eligible for warranty coverage.

Mail in the completed registry card (Pg. 2) or register online at [www.swcorp.com/register](http://www.swcorp.com/register).



## PRODUCT REGISTRATION\*

**IMPORTANT: YOUR WARRANTY WILL NOT BE RECOGNIZED UNLESS THIS CARD IS FULLY COMPLETED AND RETURNED OR ONLINE REGISTRATION IS COMPLETED.**

**To ensure that your warranty is registered and confirmed please do one of the following:**

- 1. Register online at [www.swcorp.com/register](http://www.swcorp.com/register).** You will be asked to fill out the same information you would in the registration card. Registering online is fast, secure and ensures we receive your information.
- 2. Complete, cut-out and mail the registration card below.** By returning this registration card we confirm the date of purchase for your new product. This confirmation will allow us to process any warranty claims.

**Mail the card to: 5701 NW 35 Avenue, Miami, FL 33142**



### Product Registration Card

Name..... Address .....

City..... State..... Zip.....

Phone ..... Email.....

Date of Purchase .....

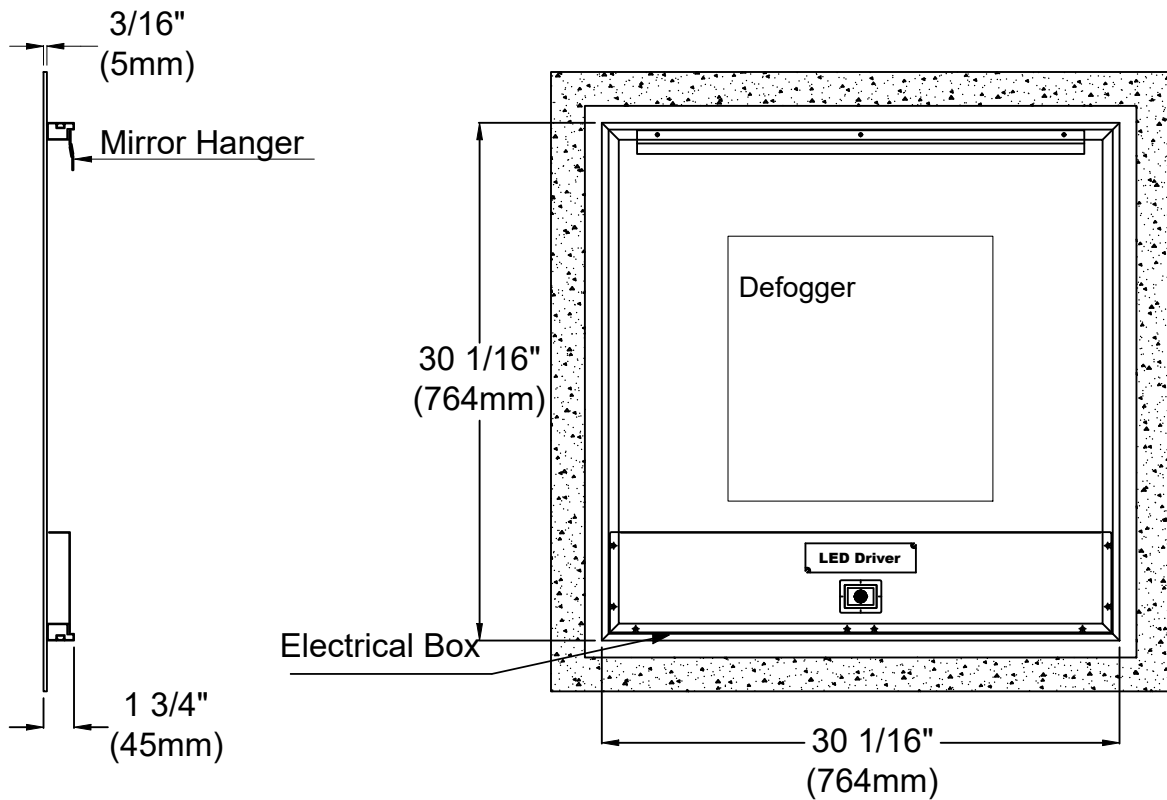
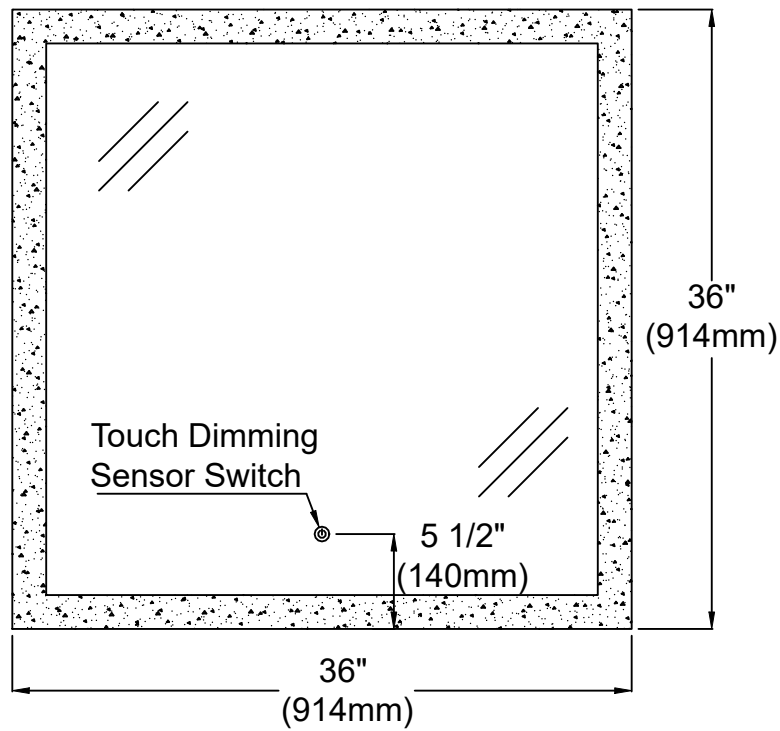
Installer's Name ..... Phone .....

I have read the Owner's Manual carefully and understand and agree that any installation, operation or maintenance of the product must be done strictly in accordance with instructions and guidelines contained in the owner's manual and installation guide.

Signature..... Date.....

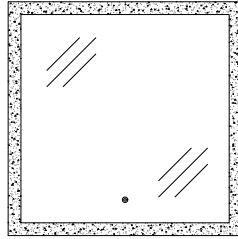
**Have questions? Call us at 1-844-44-ANZZI or visit us at [www.ANZZI.com](http://www.ANZZI.com)**

# BA-LMDFX004AL 36"\*36"



# INSTALLATION INSTRUCTIONS

Apply to the below style of LED Backlit Mirror



Please read carefully and save these instructions.

Don't discard any of the packaging until you are sure that you have all of the parts and the fittings.

**Make sure power to the junction box is off before commencing installation.**

## **IMPORTANT**

- Unpack mirror. DO NOT lay mirror on tiled or concrete surface prior to installation. Mirror must be on protected surface to prevent chipping of the corners.
- Care must be taken before drilling pilot holes to avoid any existing wiring or pipe work that may be concealed.
- A certified electrician must perform all work. The mirror must be connected to a GFI.
- The anti-fog mat operates only when the LED light is turn on by the touch sensor.

## **INSTALLATION**

Please refer the installation diagram on the back of the page.

- 1) Unpack the LED mirror and prepare tools needed.( See Pic.1 )
- 2) Make sure the measurement on the carboard screw holes are matching up with aluminum base on the mirror back, then mark the screw holes according from the carboard with pencil.(See Pic.2)
- 3) Drill holes, and put in the plastic plugs, then fix the aluminum bar by screws and twisting the T shape nail to the wall.(See Pic.3&Pic.4);
- 4) Connect hardwire to power line. Make sure the power off.(See Pic.5);
- 5) Hanging the LED mirror with aluminum bar and lock it with the anti-pull iron sheet by using the spanner provided at the fittings bag.(See Pic.5&Pic.6)

## **FUNCTION DESCRIPTION**

Touch sensor switch: Turn the light and anti-fog function by the dimmable sensor switch, see details as below:

**Button:**

- a) Touch the button for LED light and anti-fog control;
- b) Long press for color tempereture control, 3000K~6000K adjusting. It will change gradually (3000K~6000K); level(warm yellow 3000K-warm white 4000K-cold white 6000K) .

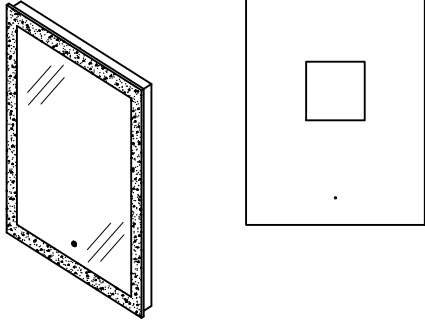
## **MAINTENANCE**

Wipe clean with a soft damp cloth. Apply glass cleaner to cloth and do not apply directly to mirror.

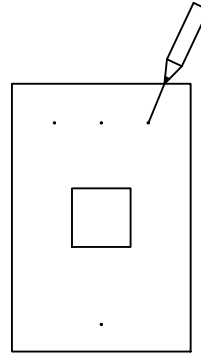
**Never use abrasive cleaners as these could damage the finish or exposed LED strips.**

# INSTALLATION DIAGRAM

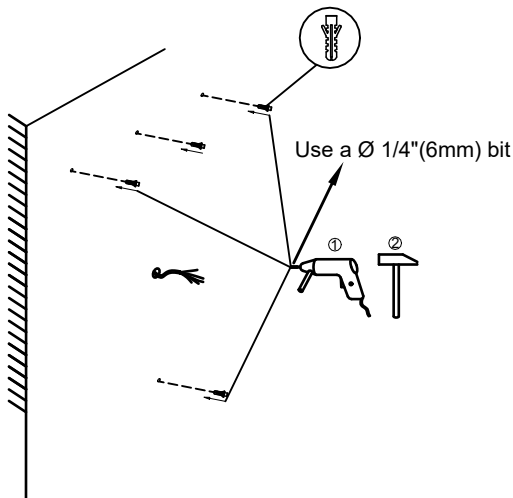
1



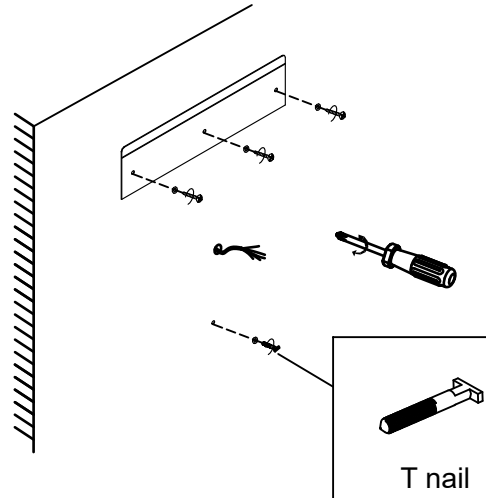
2



3



4



5

**WIRING DETAILS**

INCOMING SUPPLY		MIRROR WIRING
SWITCHED LIVE	— L —	BLACK or LABELED - L
EARTH (GREEN/YELLOW SLEEVED COPPER)	— E —	GREEN - E
NEUTRAL	— N —	WHITE or LABELED - N

**Mirror Light Power Input**

6

