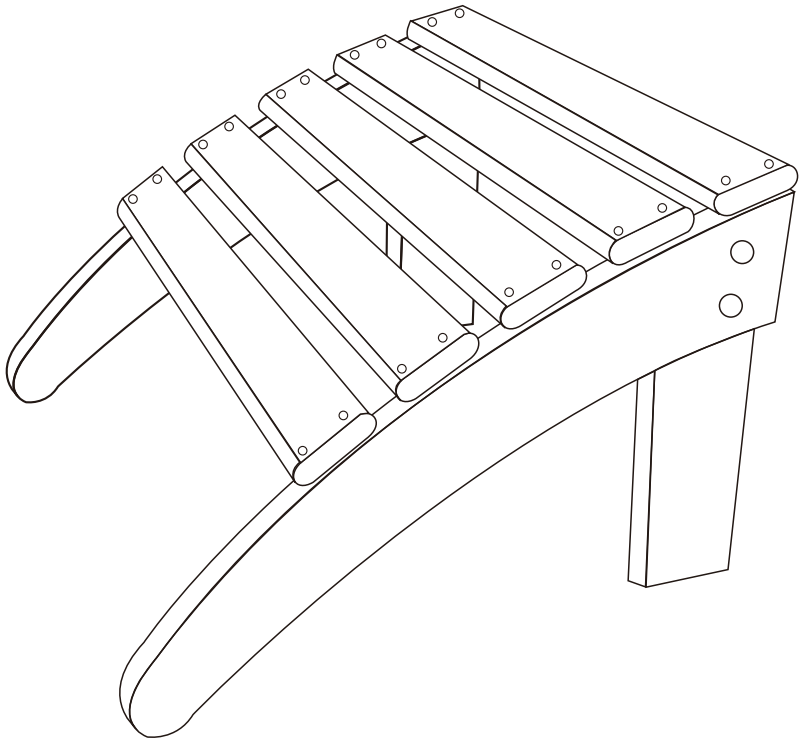


# INSTRUCTION MANUAL



**Outdoor Adirondack Chair Folding Ottoman**  
**SKU: 20010T**

## ! NOTICE

### Do not overtighten screws. (Insert all screws before tighten screws.)

- Please do not exceed the weight limitations of this item.
- Do not stand on or use any part of this item as a step ladder.
- Firmly secure all bolts, screws and nuts before use.
- Reconfirm that all bolts, screws, and nuts are secure every 90 days.
- Do not use or store this item in the proximity of open flame or flammable/combustible chemicals.
- Avoid using strong power tool for avoiding to crack the PE board when assembling.

## TOOLS REQUIRED



ALLEN WRENCH  
(PROVIDED)



WRENCH  
(PROVIDED)



TABLE  
220 LBS  
CAPACITY

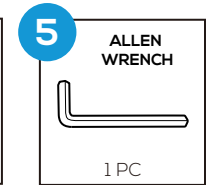
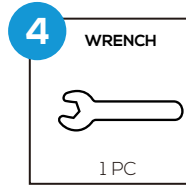
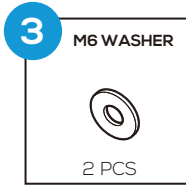
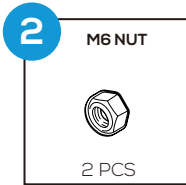
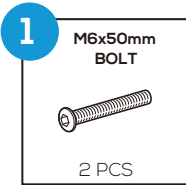


1 PERSON  
ASSEMBLY

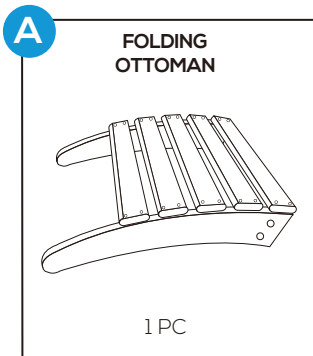


UP TO 10 MIN.  
ASSEMBLY

## HARDWARE



## PARTS

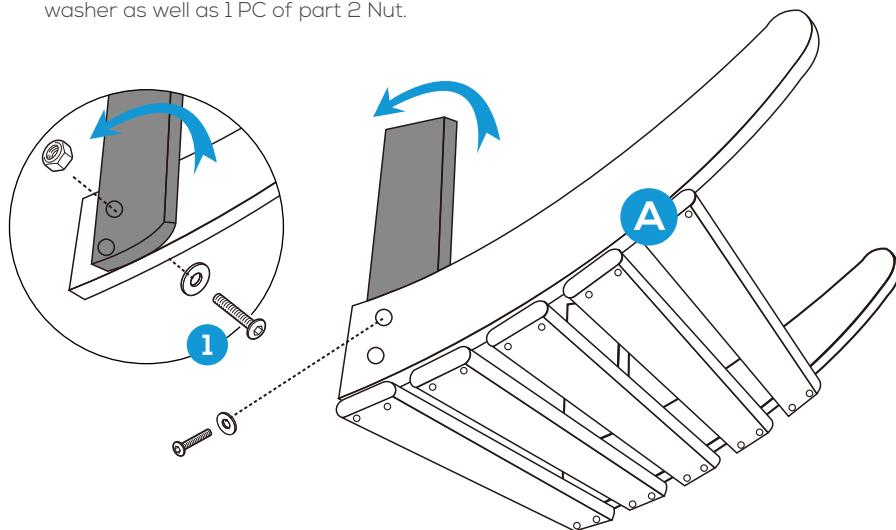


## PRODUCT ASSEMBLY

1

Put the Ottoman upside down for your easy assembly.

Pull up the Ottoman Leg and lock it with frame by 1 PC of part 1 Screw and part 3 washer as well as 1 PC of part 2 Nut.



2

Do the same to the other leg to finish the assembly of this folding Ottoman.

