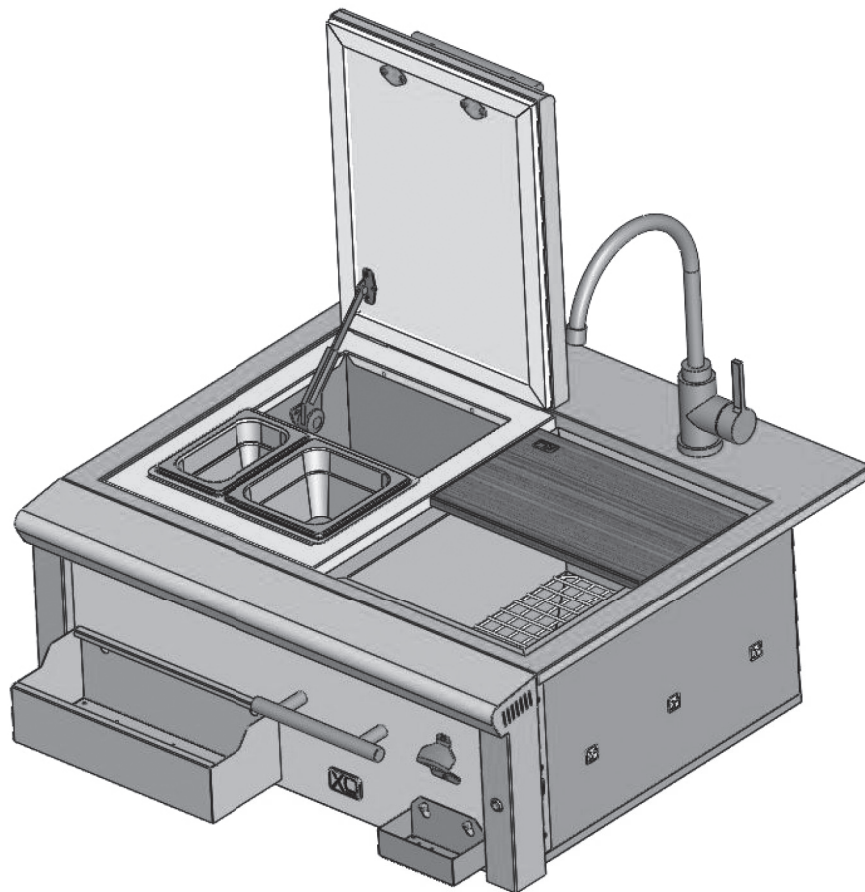


EVERYTHING YOU NEED TO KNOW ABOUT YOUR



BAR PRO
COCKTAIL STATION
WITH LED ACCENT LIGHTING



CARE & USE / INSTALLATION

RESIDENTIAL USE ONLY

I worked really hard
on this manual -
so please read it...

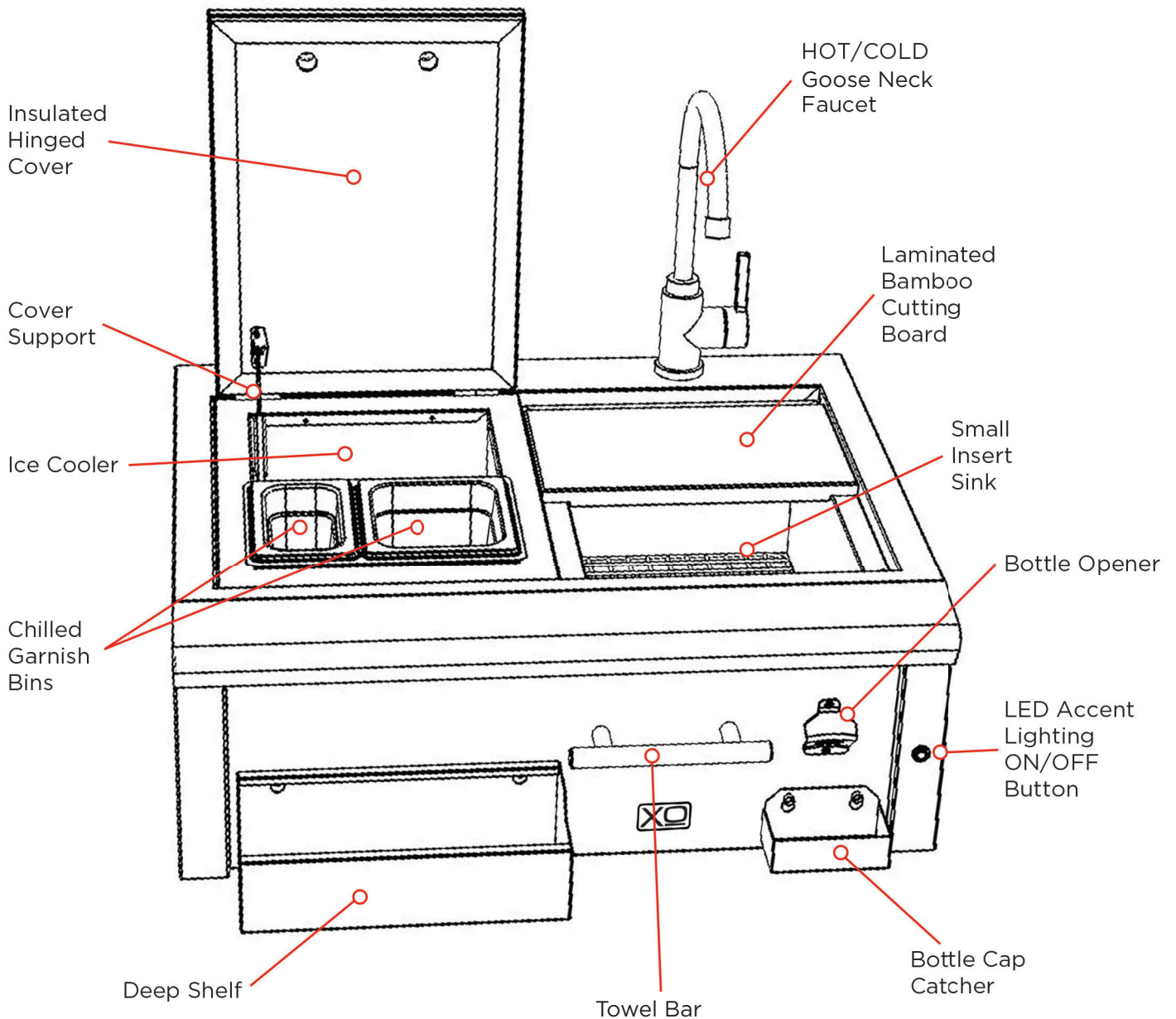


GET TO KNOW YOUR XOG30BARPRO:

Your XO BARPRO is designed to become the centerpoint of your outdoor entertaining when it comes to beverages.

The insulated 30" sink comes complete with two drop in sections. An insulated ice cooler with hinged cover that holds two suspended clear bins for your favorite cold garnishes and a second smaller drop in sink ideal for quick, smaller clean ups with a nested bamboo cutting board.

The convenient single lever handle, gooseneck faucet provides hot and cold water control while the fully appointed front apron has the accessories you need including: a Deep shelf, Bottle opener with a cap catcher tray, towel bar, and of course, LED accent lighting to match your other XO Outdoor appliances.



PROPER CARE AND MAINTENANCE:

With proper care and maintenance, your XO BARPRO is designed to provide years of reliable service

IMPORTANT CARE & CLEANING TIPS FOR STAINLESS STEEL

Never use abrasive cleaners, steel wool pads, or sharp objects on stainless steel

Note: Stainless steel tends to corrode in the presence of chlorides and sulfides in coastal areas.

To help prevent corrosion, wash all stainless steel surfaces every 3-4 weeks with fresh water and stainless cleaner.

- These stainless products resist mold, however, to avoid staining always empty, clean and dry when not in use.
- Always use the mildest cleaning procedure first.
- Wipe off soiling with a cloth using mild household detergent and dry with a clean soft cloth to avoid water marks.
- To maintain the exterior finish, apply a stainless polish on a regular basis.
- Always read the label of stainless steel clean to ensure it does not contain chloride compounds.
- Always rub the stainless in the direction of the grain.

CARE & CLEANING TIPS FOR YOUR BAMBOO CUTTING BOARD

The care of bamboo cutting boards is extremely similar to that of traditional wood cutting boards.

Prime them with mineral oil, and refresh it every month or so.

(Wipe with oil, let sit for a while, perhaps 15-20 minutes, wipe off).

Wash only with mild soap, and rinse and dry immediately.

IMPORTANT: When not in use, remove and store the board to protect it from the elements which can cause warping and discoloration over time.

WINTERIZING

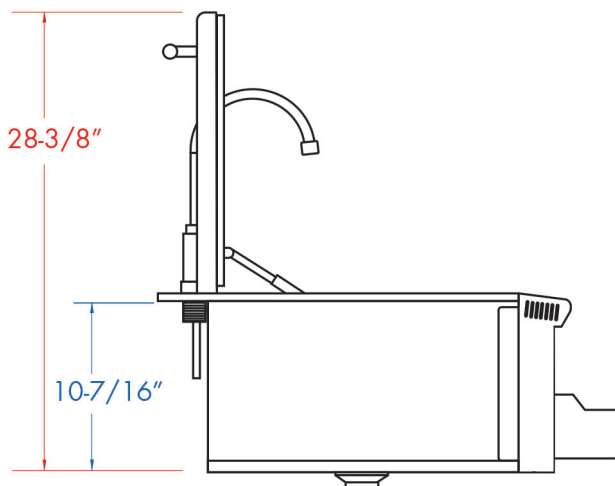
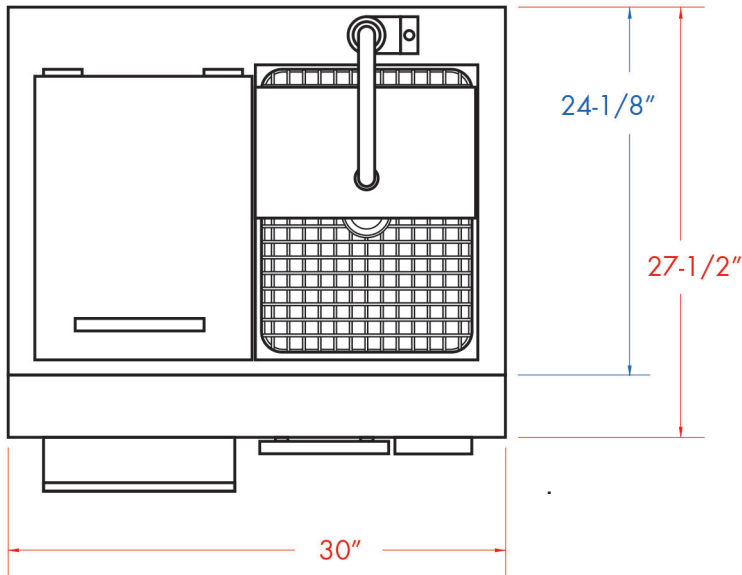
- Shut off water lines. Locate and shut off all the water lines connecting outdoor kitchens to indoor plumbing.
Use the indoor shutoff so you don't have any water in the lines running outside.
- Drain all water lines. Freezing water expands and can damage lines.
- Position drain valves for winter. It's important to leave your drain valves open all winter long to protect the lines from freezing water.
- After draining the water line to the sink, fully open the hot and cold taps.
- Thoroughly clean the sink and cover it securely to keep winter debris from scratching the finish and entering the drain.

NOTES TO THE INSTALLER:

Your XO BarPro Cocktail station is designed for outdoor use only and should be installed by a qualified installer in accordance with all local plumbing and building codes.

Prepare the counter top by cutting to the appropriate dimensions as shown above. The perimeter flange on the sides and rear of the BarPro are designed to rest on the counter top to support the unit. Failure to prepare the cut out properly may result in instability or water leakage. Make certain adequate clearance is maintained below the unit for maintenance, water, and drain lines.

OVERALL DIMENSIONS:



OVERALL DIM

WIDTH	30"
HEIGHT	28-1/4"
DEPTH	27-1/2"

BEFORE YOU BEGIN:

INSTALLER:

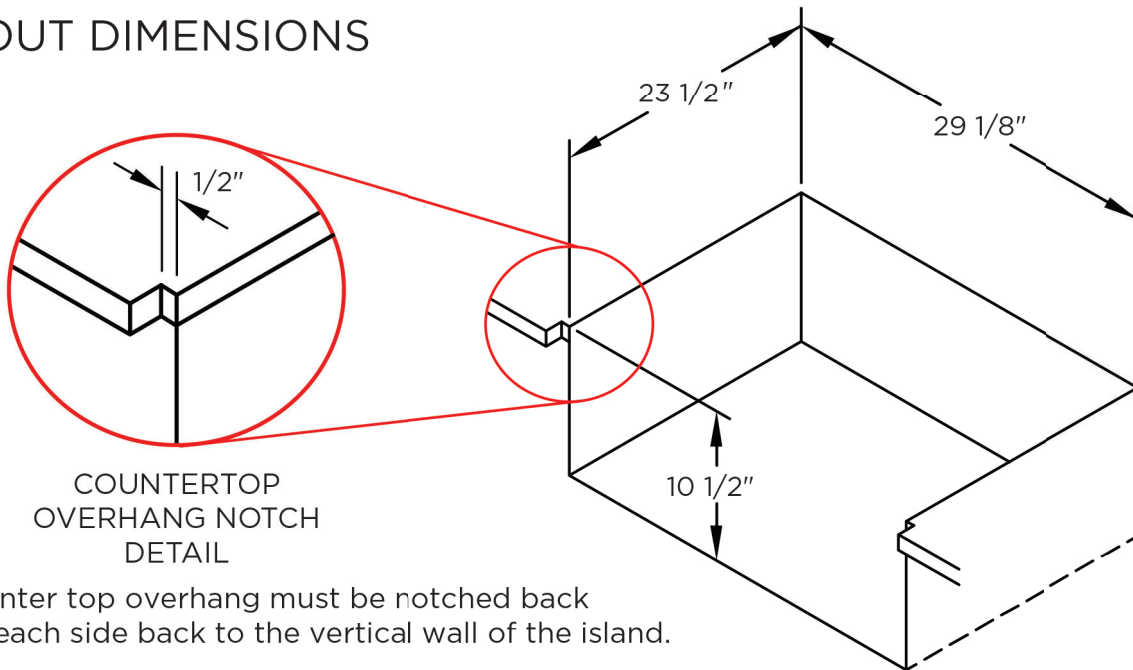
Read all instructions carefully before starting work. Please leave these instructions with the homeowner.

HOMEOWNER:

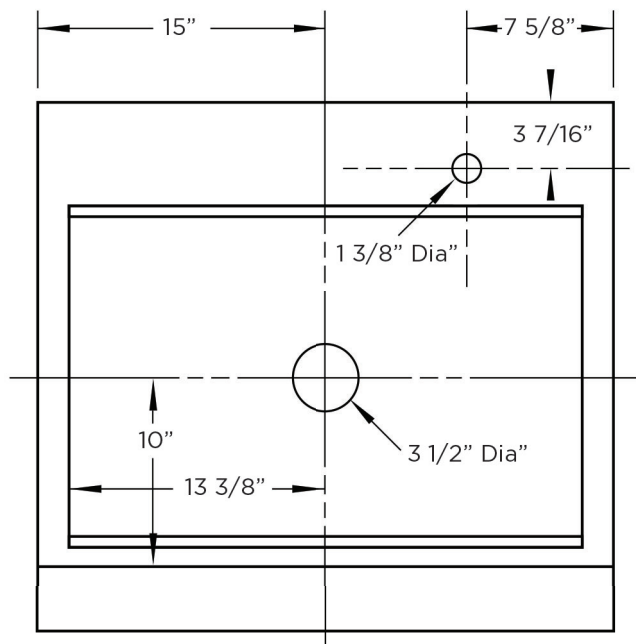
Please retain these instructions for future reference.

INSTALLATION PREPARATION

CUT OUT DIMENSIONS



The counter top overhang must be notched back $\frac{1}{2}''$ on each side back to the vertical wall of the island.



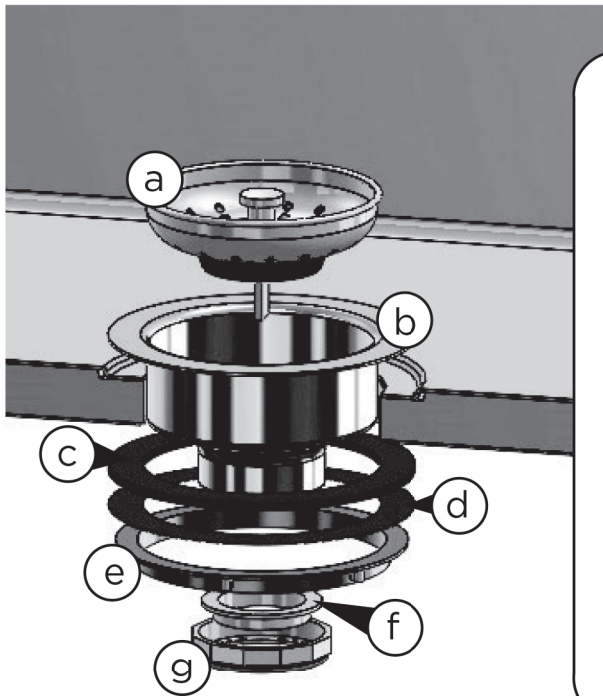
SINK TOP VIEW
Showing Drain &
Water Locations

INSTALLING THE DRAIN ASSEMBLY

INSTALLING THE DRAIN ASSEMBLY

For ease of installation we recommend that the drain assembly be installed before installing the sink into the counter top.

1. Remove the drain assembly from the box and identify the following parts:



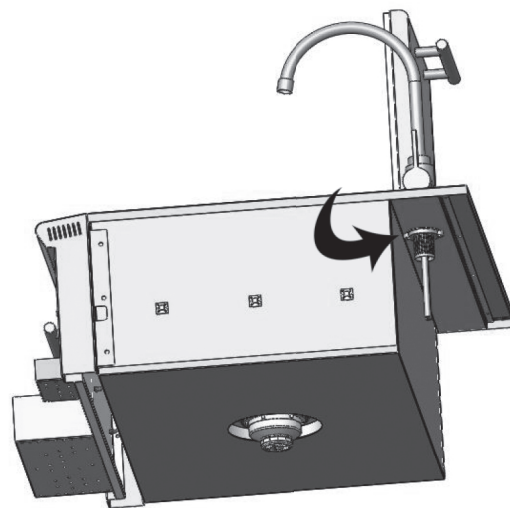
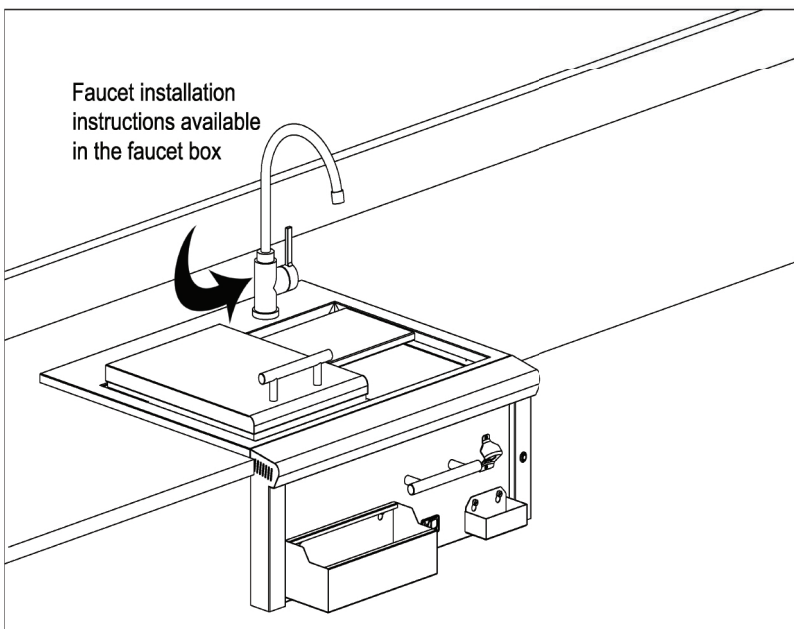
- a. Drain stopper / Strainer basket
- b. Upper drain fitting
- c. Rubber gasket
- d. Paper gasket
- e. Locknut
- f. Tailpiece
- g. Threaded coupling

2. Remove the drain plug strainer basket (a) and separate the upper drain fitting (b) from the remainder of the drain assembly.
3. Place a bead of Plumbers Putty* around the underside lip of the upper drain fitting. Drop the upper drain fitting (b) into the sink bottom opening and press it firmly into place. From the bottom of the sink position the rubber gasket (c) and then the paper gasket (d) on the upper drain fitting (b). The paper gasket (d) is used to prevent kinking of the rubber gasket (c) while tightening the locknut (e).
4. Align the drain assembly so that it sits centered in the sink drain cut-out. Screw the locknut (e) on to the upper drain fitting (b) threaded connection until it is **hand tight**. Now use a tool to tighten the locknut (e) another quarter turn.
5. Remove any excess Plumber Putty with a damp cloth.

* Plumbers Putty is available at most home improvement centers. Plumbers putty is an easy-to-mold setting compound for use with stainless steel sealing applications. **Do Not Omit This Step.**

INSTALLING THE XO BARPRO

1. Install the faucet into the top faucet opening on right back of the sink.
2. Carefully place the sink into the cut out on the counter top. Push the sink back until there are no gaps in the back and the bull nose contacts the front face of the cabinet. The sink will be supported by its weight on both sides and back lip.
3. If needed a small bead of silicone sealant could be put around the edges of the sink to prevent water seepage into the spaces below the sink.



INSTALLING THE DRAIN PIPING (Not Included)

Assemble all drain pipe connections to the tailpiece and on through a pipe trap and proper drainage. The drain must be installed in accordance with all local codes. In the absence of local codes, the requirements of the Uniform Plumbing Code should be followed.

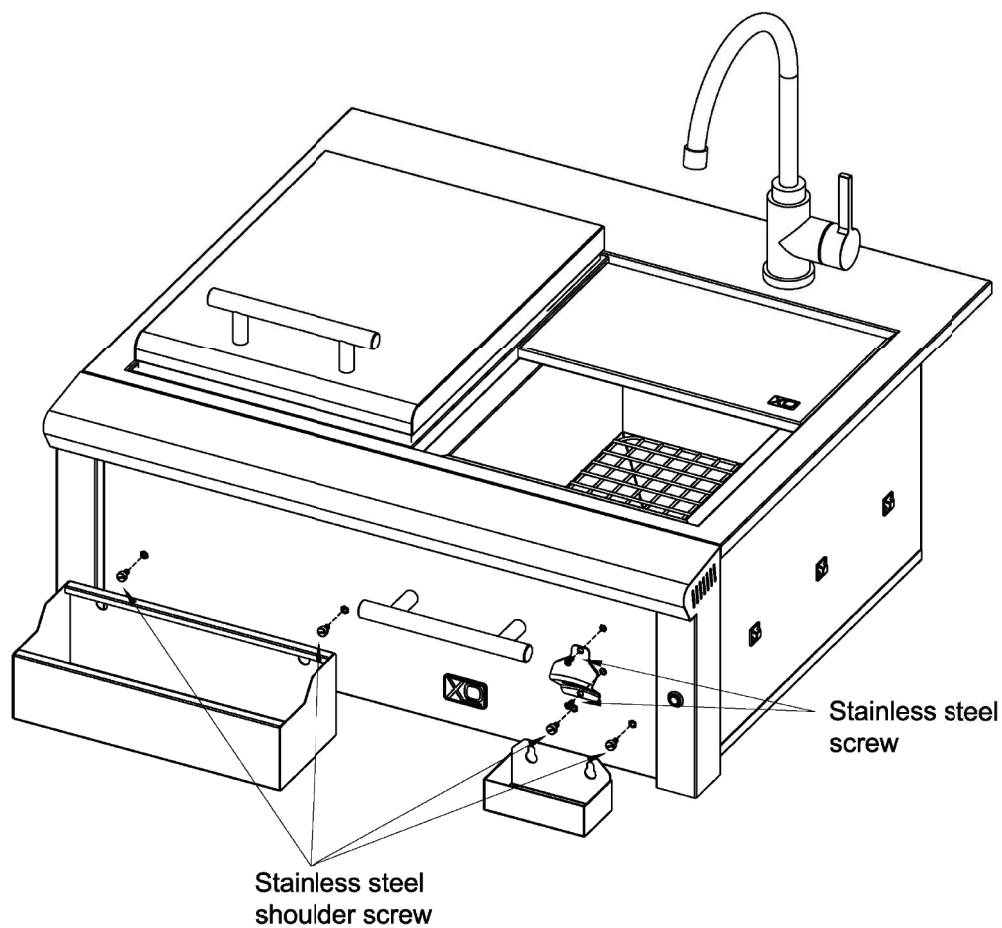
INSTALLING THE LED TRANSFORMER

The power supply transformer should be installed below the sink within the cabinet enclosure. Select a location where the transformer is protected against water, heat and physical damage. It is recommended that fasteners are used in at least two of the four mounting holes for secure attachment.

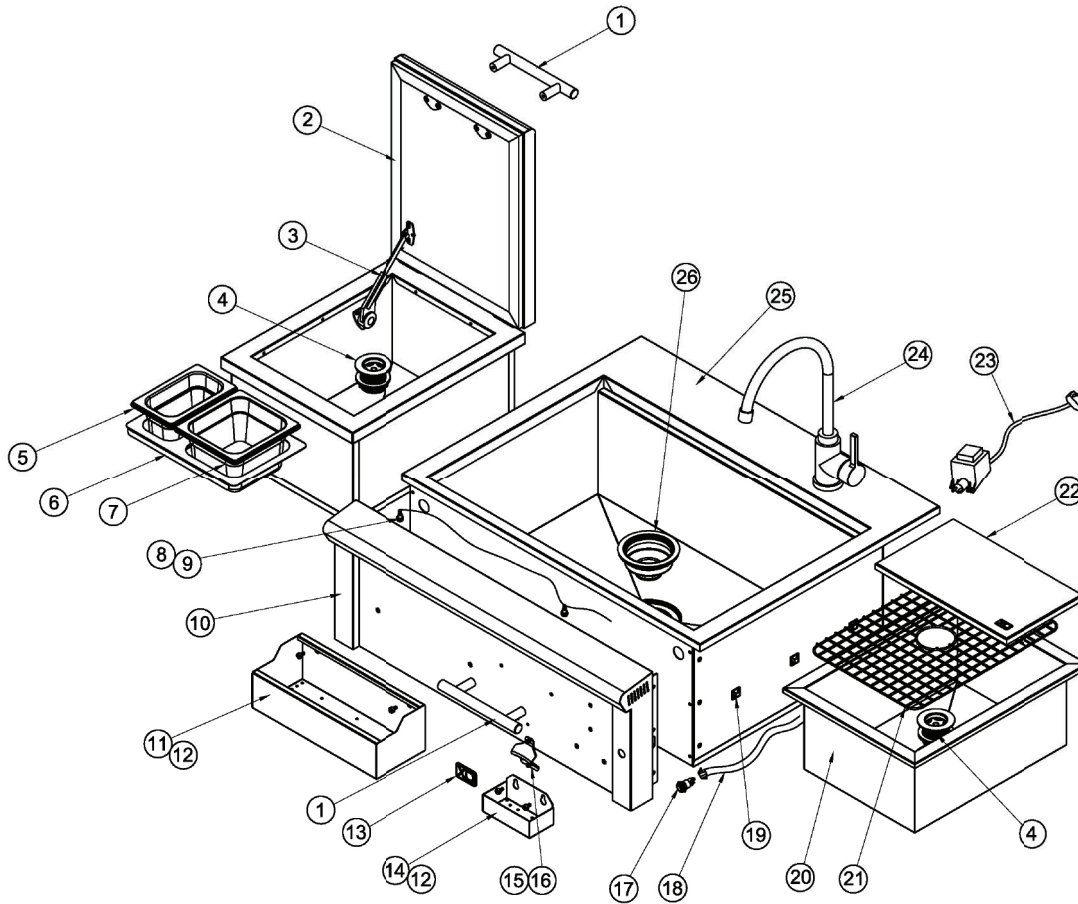
The power supply transformer must be plugged into a properly grounded GFI equipped outlet, installed by a qualified technician. The outlet of the transformer is plugged into the connector at the rear of the sink. Please see the electrical diagram provided in this manual.

INSTALLING THE FRONT MOUNTED ACCESSORIES

1. Locate the hardware bag containing the fasteners.
2. Using the screws supplied, attach the Bottle Opener.
3. Install (2) shoulder screws to hold the accessory shelf and (2) shoulder screws to hold the bottle cap catcher.
4. Center the key hole cutouts on the accessory shelf and bottle cap catcher over their respective shoulder screw heads and lower into place exercising care not to scratch the finish.

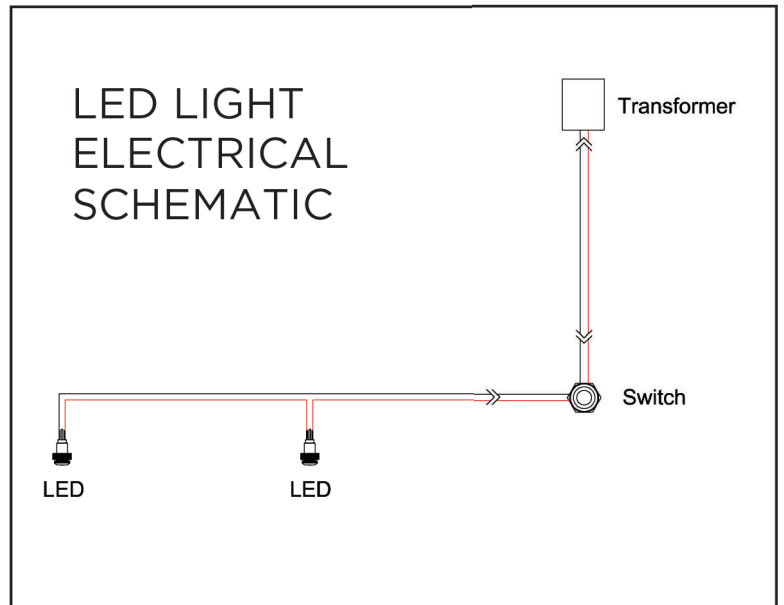


EXPLODED VIEW/PARTS



XOG30BARPRO

ITEM	PART NO.	DESCRIPTION	QTY
1	XOPGBAR01	HANDLE	2
2	XOPGBAR02	ICE COOLER LID	1
3	XOPGBAR03	PISTON	1
4	XOPGBAR04	SMALL SINK DRAINER	2
5	XOPGBAR05	SMALL PC GASTRONOM PANS	1
6	XOPGBAR06	GASTRONOM PANS BRACKET	1
7	XOPGBAR07	BIG PC GASTRONOM PANS	1
8	XOPGBAR08	LED LIGHT	2
9	XOPGBAR09	LEDWIRE	1
10	XOPGBAR10	CONTROL PANEL	1
11	XOPGBAR11	BOTTLE BOX, LARGE	1
12	XOPGBAR12	BOTTLE BOX FIXING SCREW	4
13	XOPGBAR13	BADGE	1
14	XOPGBAR14	CAP CUP	1
15	XOPGBAR15	BEER OPENER FIXING SCREW	2
16	XOPGBAR16	BEER OPENER	1
17	XOPGBAR17	SWITCH	1
18	XOPGBAR18	MAIN POWER SUPPLY WIRE	1
19	XOPGBAR19	MAIN POWER SUPPLY WIRE CLIP	3
20	XOPGBAR20	SINK	1
21	XOPGBAR21	FILTER SCREEN	1
22	XOPGBAR22	CUR BOARD, BAM BOO	1
23	XOPGBAR23	10W TRANSFORMER	1
24	XOPGBAR24	FAUCET	1
25	XOPGBAR25	SINK BODY, LARGE	1
26	XOPGBAR26	BIG SINK DRAINER	1



WE'VE GOT YOUR BACK

XO Limited Warranty

WARRANTY TERMS FOR XO - RESIDENTIAL USE ONLY.

XO Stainless Steel Outdoor Kitchen Accessory Product

TWO YEAR LIMITED WARRANTY

XO warrants all components to be free from defects in materials and workmanship under normal residential use for a period of two years from the original date of purchase. The actual part will be repaired or replaced, free of charge, with the owner paying for all other costs including labor, installation, shipping and handling charges.

COMMON AREA WARRANTY

A 180 day warranty applies to applications where use of the product extends beyond normal residential use such as bed and breakfast inn, private clubs, multidwelling condos and apartments. The actual part will be repaired or replaced, free of charge, with the owner paying for all other costs including labor, installation, shipping and handling charges. This warranty excludes all commercial locations such as restaurants and food service locations.

WARRANTY LIMITATIONS & EXCLUSIONS

This warranty shall apply only to the products purchased and located in the continental United States and Canada. The warranty coverage begins on the original date of purchase and proof of date of purchase is required. In order to activate the warranty, we require that you register your product online at www.xoappliance.com within 30 days of purchase. This warranty applies only to the original owner and may not be transferred. This warranty does not apply to damages resulting from negligence, alteration, misuse, abuse, accident, natural disaster, loss of electrical power to the product for any reason, improper installation or operation, lack of maintenance, unauthorized adjustments or calibrations, dings, dents, scratches, or damages due to harsh cleaning chemicals. This warranty does not apply to commercial use, or to products with altered or removed serial numbers. XO shall not be liable for incidental, consequential, special or contingent damages resulting from its breach of this written warranty or any implied warranty.

WARRANTY NOTE The warranty provides protection against rust through of parts that render the product inoperable. It does not cover occasional surface rust or staining due to environmental conditions such as in coastal areas. All warranties are subject to the review and approval of the manufacture

**FOR WARRANTY SERVICE & REPLACEMENT PARTS: check the contact & support section of our website xoappliance.com, email us at service@xoappliance.com or call 1-800-966-8300
24 Eisenhower Parkway, Roseland, NJ 07068**

Please Note: Pictures and text may change without notice

SEE THE COMPLETE LINE OF XO OUTDOOR KITCHEN APPLIANCES & ACCESSORIES



BUILT-IN & FREESTANDING GRILLS



POWER & SIDE BURNERS



STORAGE OPTIONS



TRASH & RECYCLING UNITS



BAR & SINK OPTIONS



OUTDOOR REFRIGERATION