

# 2 TON LOW PROFILE JACK

Item Number W1642

## OWNER'S MANUAL



Performance Tool<sup>®</sup>

### **▲WARNING**

*It is the owner and/or operators' responsibility to study all WARNINGS, operating, and maintenance instructions contained on the product label and instruction manual prior to operation of this product. The owner/operator shall retain product instructions for future reference.*

*The owner and/or operator are responsible for maintenance, maintaining all decals or warning labels and while in use, maintaining the unit in good working order. If the owner and/or operator are not fluent in English, the product warnings and instructions shall be read and discussed with the operators' native language by the purchaser/owner or his designee. Make sure that the operator comprehends its contents. Safety information shall be emphasized and understood prior to usage. The product shall be inspected per the operating instructions.*

*Users of this product must fully understand these instructions. Each person operating this product must also be of sound mind and body and must not be under the influence of any substance that might impair their vision, dexterity, or judgment.*

*Protect yourself and others by observing all safety information.*

*Failure to comply with instructions could result in personal injury and/or property damage! If you encounter any problems or difficulties, please contact our customer service department at: 1-800-426-1262 between 6:30 a.m. and 4:30 p.m. Pacific time.*

# **PT**

**Performance Tool**

On occasion, after printing of our literature is completed, our manufacturers may make changes and/or modifications to merchandise which will not be reflected in this manual. Although we strive to maintain complete and accurate information, it is possible in some instances, that the product may differ slightly from printed specifications. Illustrations are intended for reference only. Actual merchandise may vary. Wilmar is not responsible for typographical errors.

# SPECIFICATIONS

## Specifications:

Capacity: ..... 4000 lbs.

Low Lift Height: ..... 2-3/4 in.

Max. Lift Height:..... 20 in.

## Overall Dimensions:

Length: ..... 26-1/2 In.

Width: ..... 13-1/2 In.

Height: ..... 9 In.

50-3/8 with bar

Specifications are  
subject to change  
without notice

# IMPORTANT SAFETY INFORMATION

## WARNING!

**READ, UNDERSTAND AND FOLLOW ALL INSTRUCTIONS AND WARNINGS BEFORE OPERATING THIS TOOL. FAILURE TO DO SO MAY RESULT IN PERSONAL INJURY AND/OR PROPERTY DAMAGE AND WILL VOID WARRANTY.**

1. Keep work area clean. Cluttered areas invite injuries.
2. Observe work area conditions. Do not use machines or power tools in damp or wet locations. Don't expose to rain. Keep work area well lighted. Do not use electrically powered tools in the presence of flammable gases or liquids. Do not bring combustible materials near the tools.
3. Keep children away. Children must never be allowed in the work area. Do not let them handle machines, tools, or extension cords.
4. Store idle equipment. When not in use, tools must be stored in a dry location to inhibit rust. Always lock up tools and keep out of reach of children and other untrained persons. Switch off all unused electrical tools when stored. Tools are dangerous in the hands of untrained users.
5. This is a lifting device only. Do not move load while it is on the jack. Load must be supported immediately by Jack Stands or other appropriate means.
6. Do not overload jack beyond rated capacity. Overloading can cause damage to or failure of the jack.
7. REFER TO YOUR VEHICLE OWNERS MANUAL FOR PROPER JACKING PROCEDURES. Lift only on areas of the vehicle as specified by the vehicle manufacturer.
8. Work Safe. Keep proper footing and balance at all times. Do not reach over or across running machines, hoses, etc.
9. This jack is designed for use only on hard level surfaces capable of sustaining the load. Use of jack on other than hard level surfaces can result in jack instability and possible loss of load.
10. Stay alert. Watch what you are doing, use common sense. Be sure all

## IMPORTANT SAFETY INFORMATION

personnel are clear of load before lowering load. Ensure that no personnel pass underneath load until load is securely supported by jack stands Do not operate any tool when you are tired.

11. Take care of your jack. Keep the jack clean for better and safer work. Follow the maintenance instructions and the notices. Regularly inspect all parts. Repairs should only be carried out by a qualified technician. Use only original PERFORMANCE TOOL® replacement parts.
12. Check for damaged parts. Before using any tool, any part that appears damaged should be carefully checked to determine that it will operate properly and perform its intended function. Check for alignment and binding of moving parts; any broken parts or mounting fixtures; and any other condition that may affect proper operation. Any part that is damaged should be properly repaired or replaced by a qualified technician.
13. Repairs should only be carried out by a qualified electrician using original PERFORMANCE TOOLS® replacement parts. Failure to do so can lead to accidents for the operator. Use of any other parts will void the warranty. Only use accessories intended for use with this tool. Approved accessories are available from Performance Tool®. Use only accessories that are recommended by the manufacturer for your model. Accessories that may be suitable for one tool may become hazardous when used on another tool.
14. Do not operate any tool if under the influence of alcohol or drugs. Read warning labels on prescriptions to determine if your judgment or reflexes are impaired while taking drugs. If there is any doubt, do not operate any tool.
15. Maintenance. For your safety, maintenance should be performed regularly by a qualified technician.

**▲ WARNING:** Cancer and Reproductive Harm – [www.P65Warnings.ca.gov](http://www.P65Warnings.ca.gov).

**WARNING:** The warnings, cautions, and instructions discussed in this instruction manual cannot cover all possible conditions and situations that may occur. It must be understood by the operator that common sense and caution are factors which cannot be built into this product, but must be supplied by the operator. Read and understand all of the instructions provided in the instruction manual of this product, as well as, any other tool (s) used with this product.

# OPERATION

## Before using your jack:

Insert lower bar section into handle sleeve. (See Fig. 1) Secure bar to handle sleeve with handle set screw. Turn bar counter-clockwise to open release valve. Pump jack handle about 6 full strokes to assure complete distribution of hydraulic fluid. (See Fig. 2)

## To raise:

Turn bar clockwise to close release valve. Make certain that load is on center of saddle. Pump to raise load to desired height. Transfer load to jack stands or other appropriate supports before working under load. (See Fig. 3)

## To lower:

Raise load enough to remove jack stands.

**Slowly** turn release valve counter-clockwise just enough to allow controlled descent. (Never turn counter-clockwise more than 3 full turns)

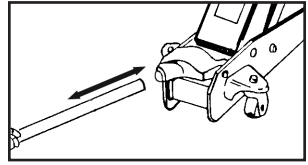


Fig. 1

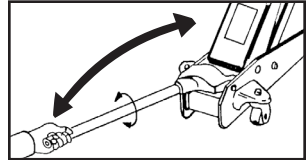


Fig. 2

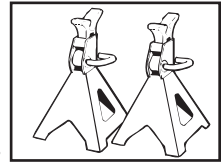


Fig. 3

# CARE & MAINTENANCE

1. When jack is not in use, lifting arm and handle sleeve should be in fully down position to keep their machined surfaces free from corrosion.
2. Keep jack clean and well lubricated at points illustrated in figure 4.
3. For best results, use only hydraulic fluid with a rating of SAE 10 for refills. Check fluid level with jack in fully down position. Fluid level should be up to bottom of oil fill plug
4. Regularly check for loose, worn or damaged parts and repair or replace as necessary.
5. Replace worn or damaged parts with Performance Tool<sup>®</sup> replacement parts. Be sure that only qualified personnel perform repairs.

*\* Illustrations and photographs are intended for reference only. Actual merchandise may vary slightly from illustration.*

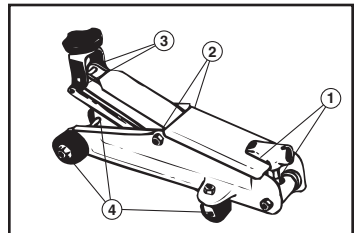


Fig. 4

## TROUBLESHOOTING

Your Performance Tool hydraulic jack was constructed with quality materials and workmanship and will give you many years of trouble free use when cared for as described in the "Care & Maintenance" section on page 3. However, as with any mechanical device, periodic adjustments are necessary to maintain a peak level of performance. Should your jack be displaying any of the following symptoms, the simple procedures shown below will correct the problem.

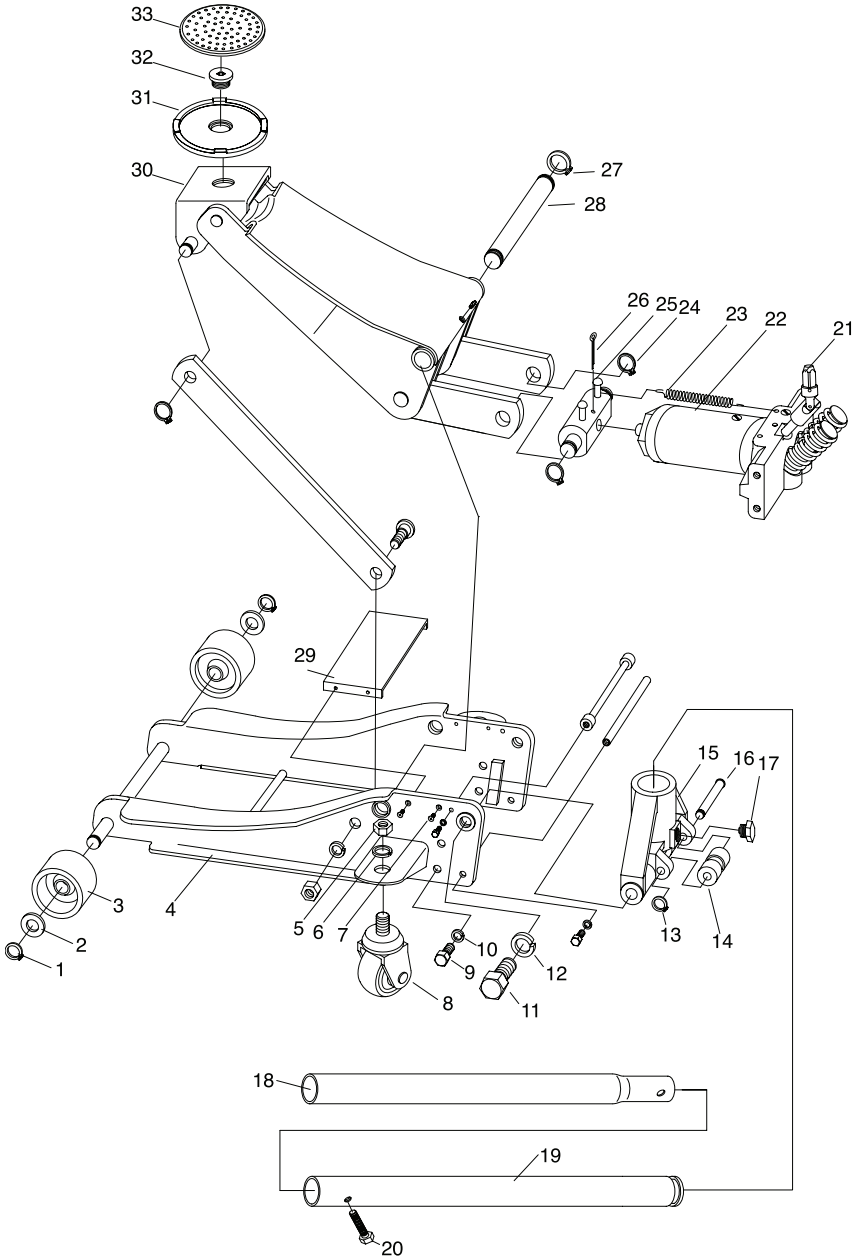
### WARNING - Remove jack from service before making adjustments

Will not lift load	●	●	●
Will not hold load			●
Will not lift to full height	●	●	
Pump feels "spongy" under load	●	●	
Handle raises under load			●
Handle lowers under load			●
	Power unit may be low in fluid. With jack on level surface and in down position, remove filler plug and add clean hydraulic jack fluid to level of filler.	Power unit may be air bound. Open the release valve a minimum of 2 full turns. Pump the handle a minimum of 20 full strokes to purge air from the system.	Valve may not be closing completely. To seat valves: a.) Close release valve. b.) With jack in fully lowered position, manually raise lifting arm as high as possible. c.) Open release valve and allow jack to descend to lowered position

#### NOTE:

Problems listed above with more than one solution may have a combination of causes. Please be sure that all solutions listed for each problem have been checked to eliminate possibility of further trouble. Sometimes solutions may need to be repeated for best results.

# REPLACEMENT PARTS LIST



# REPLACEMENT PARTS LIST

No.	Description	Qty.	No.	Description	Qty.
1	Retaining Ring 20.....	2	20	Screw M6X35.....	1
2	Washer 20.....	2	21	Universal Joint .....	1
3	Front Wheel.....	2	22	Ram.....	1
4	Frame.....	1	23	Return Spring.....	2
5	Nut M16 .....	4	24	Retaining Ring 22 .....	2
6	Washer 16.....	4	25	Ram Adaptor.....	1
7	Screw M5X12.....	4	26	Pin A4X55 .....	1
8	Rear Caster Assembly .....	2	27	Retaining Ring 25.....	2
9	Screw M10X20.....	4	28	Lift Arm Bolt .....	1
10	Washer 10.....	4	29	Ram Cover Plate.....	1
11	Handle Socket Bolt.....	2	30	Lift Arm Assembly.....	1
12	Washer 18.....	2	31	Saddle.....	1
13	Retaining Ring 12.....	1	32	Saddle Screw .....	1
14	Roller.....	1	33	Rubber Saddle Pad .....	1
15	Handle Socket .....	1			
16	Roller Pin.....	1			
17	Handle Set Screw .....	1			
18	Handle, Upper Section .....	1			
19	Handle, Lower Section .....	1			

### LIMITED WARRANTY

PERFORMANCE TOOL® extends only the following warranties, and only to original retail purchasers. These warranties give specific legal rights. Except where prohibited by local law, the law of the State of Washington governs all warranties and all exclusions and limitations of warranties and remedies. There may be other rights which vary from state to state.

PERFORMANCE TOOL® warrants the product to be free from defects in materials and workmanship under normal use and service. A defective product may be returned for a free replacement within 90 days from the date of purchase, provided that product is returned to place of purchase immediately after discovery of defect. After 90 days and up to one year from date of purchase, PERFORMANCE TOOL® will replace at no charge any parts which our examination shall disclose to be defective and under warranty. These warranties shall be valid only when a sales receipt showing the date of purchase accompanies the defective product or defective part (s) being returned. For part (s) after 90 days, please remit your request, postage prepaid to:

PERFORMANCE TOOL, P.O. Box 88259 Tukwila, WA 98138

These warranties exclude blades, bits, punches, dies, bulbs, fuses, hoses, and other consumables which must be replaced under normal use and service. These warranties shall not apply to any product or part which is used for a purpose for which it is not designed, or which has been repaired or altered in any way so as to affect adversely its performance or reliability, nor shall these warranties apply to any product or part which has been subject to misuse, neglect, accident or wear and tear incident to normal use and service.

PERFORMANCE TOOL® does not authorize any other person to make any warranty or to assume any liability in connection with its products.

Except for warranties of title and the limited express warranties set forth above, PERFORMANCE TOOL® makes no express or implied warranties of any kind with respect to its products. In particular, PERFORMANCE TOOL® makes no implied warranty of merchantability and no implied warranty of fitness for any particular purpose, except that for goods purchased primarily for personal, family or household use and not for commercial or business use, PERFORMANCE TOOL® makes an implied warranty of merchantability (and, if otherwise applicable, an implied warranty of fitness for a particular purpose), but only for the particular qualities or characteristics, and for the duration, expressly warranted above.

The laws on limitation of implied warranties may differ from state to state, so the above limitations may not apply in all cases.

PERFORMANCE TOOL® shall not be liable for consequential, incidental or special damages resulting from or in any manner related to any product, or to the design, use, or any inability to use the product. The sole and exclusive remedy for a defective product or part shall be the repair, or replacement thereof as provided above. The laws on limitation of remedies or on consequential, incidental or special damages may vary from state to state, so the above limitations may not apply in all cases.