

This document, including the design, configuration and mechanical features revealed herein are the sole, confidential and proprietary property of TRU Corporation. Reproduction or use thereof, in whole or part, is prohibited without the prior written consent of TRU Corporation.

REV.	DESCRIPTION	DATE	APPROVED
-	ORIGINAL ISSUE	10/04/76	RMK
A	CHANGE PER ECO 3448	09/25/07	AM

**ENGINEERING DATA:**

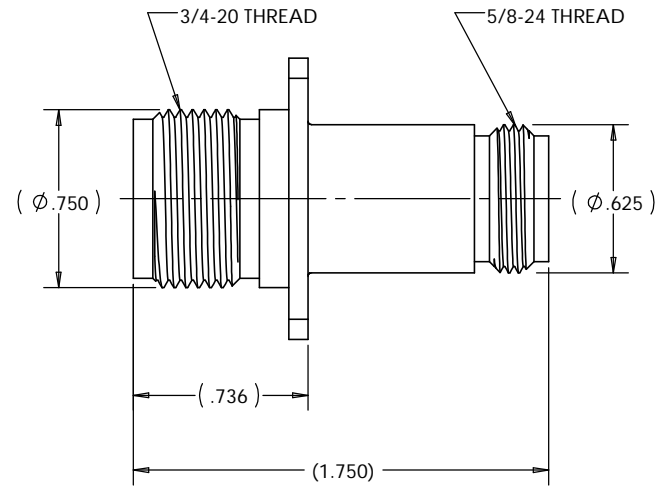
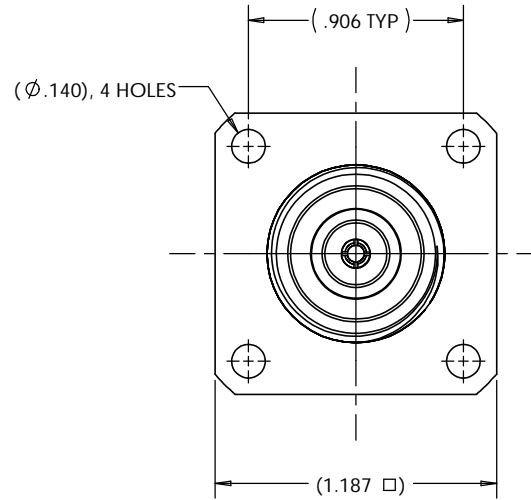
**ELECTRICAL:**  
IMPEDANCE: 50 OHMS NOMINAL


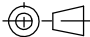
**MECHANICAL:**  
INTERFACE: HN(f) per MIL-STD-348/ 317.2  
N(f) per MIL-STD-348/304.2

**MATERIAL:**  
INSULATORS: TEFLON  
CENTER CONTACT: BERYLIUM COPPER  
OTHER METAL PARTS: BRASS

**FINISH:**  
ALL METAL PARTS: SILVER PLATED

**NOTES:**  
1. UNLESS OTHERWISE SPECIFIED; ALL  
DIMENSIONS ARE REFERENCE ONLY.



MATERIAL	DO NOT SCALE DRAWING	DRAWN RMK	DATE 10/04/76	 <b>TRU CORPORATION</b> 245 LYNNFIELD STREET, PEABODY, MA 01960 <i>The Custom Interconnect Leader™</i>		
	UNLESS OTHERWISE SPECIFIED: DIMENSIONS ARE IN INCHES	ENG APPR. RMK	DATE 10/04/76			
COMMENTS:	TOLERANCES: FRACTIONS: ±1/64 .XX : ±.01 .XXX: ±.005 ANGLES: ±1/2 MACHINED SURFACES: 63/√	MFG APPR.	DATE	TITLE: <b>CONNECTOR, RF, COAXIAL HN(f) to N(f), ADAPTER, PANEL</b>		
	surface area: sq inch   weight: lbs	OTHER APPR.	DATE	<table border="1"> <tr> <td>SIZE <b>B</b></td> <td>DWG. NO. <b>TRU-5291</b></td> <td>REV <b>A</b></td> </tr> </table>	SIZE <b>B</b>	DWG. NO. <b>TRU-5291</b>
SIZE <b>B</b>	DWG. NO. <b>TRU-5291</b>	REV <b>A</b>				
		THIRD ANGLE PROJECTION 	CAGE CODE: 92180   SCALE: 2:1   SHEET 1 OF 1			