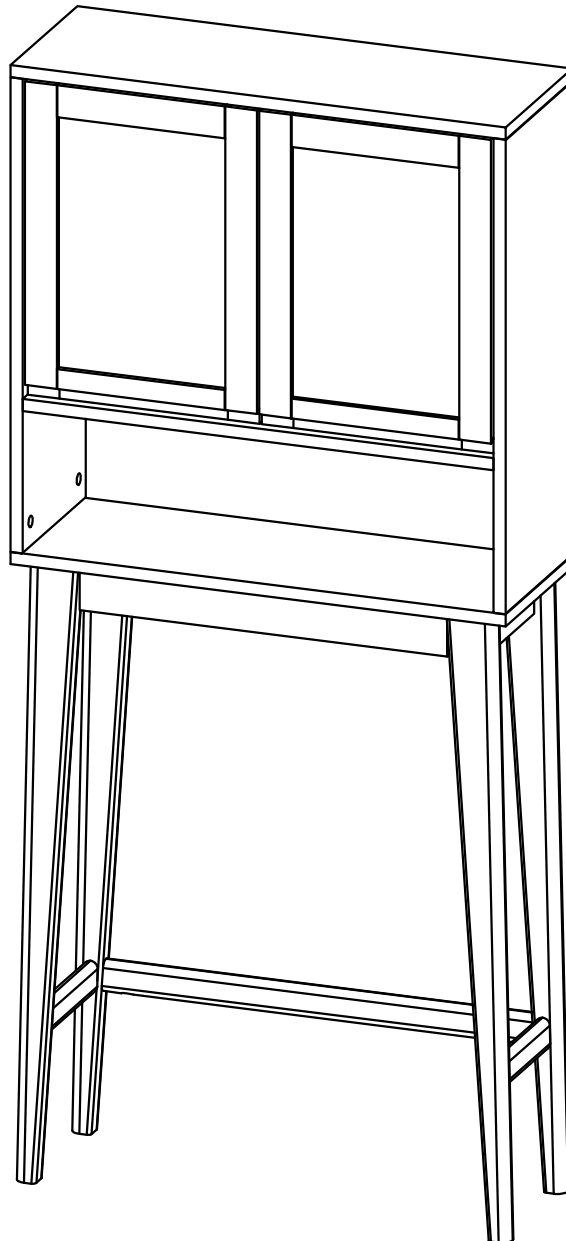


DRAPER / BAXTER / TIERNEY

SPACE SAVER CABINET

MODEL # AXCBCDRP-07





Questions, problems, assembly help, missing parts?

No need to return the product, we will gladly help and ship your replacement parts free of charge

Please call Customer Service at 1-866-518-0120 ext. 262

Monday to Friday between 9 am –4 pm EST

or go to

www.simpli-home.com/parts request

In order to assist you in a timely manner, please have the following information ready:

Model # _____ Part Number or Letter _____

Purchased at _____ Date of Purchase _____

If you wish to return the product, please contact the retailer where the product was purchased.

IMPORTANT : Please read this manual carefully before beginning assembly of this product. Keep this manual for future reference.

SAFETY INFORMATION

CAUTION: Injuries and damage can occur from furniture tip over if product is not properly anchored to the wall. Use the Furniture Anti-Tipping Restraint provided with the product. Consult our assembly instructions for help. If the Furniture Anti-Tipping Restraint kit is not in the box, please contact our customer service department in order to obtain another kit before using the furniture.

Identify all the parts and hardware. Do not discard of the packaging until you have checked that you have all of the parts and hardware required. Hardware package may have spare parts.

WARNING: This item contains small parts which can be swallowed by children and pets. Keep children and pets away during assembly. To avoid danger of suffocation, always keep plastic bags away from children and pets. We recommend that you assemble this unit on a carpeted floor to avoid scratches. If using power tools, set the tool to low torque to avoid damage.

May require 2 people for ease of assembly.

IMPORTANT : Please read this manual carefully before beginning assembly of this product. Keep this manual for future reference.

CARE and MAINTENANCE

Perhaps the greatest environmental damage to wood furniture comes from wide swings in relative humidity (RH) in our homes. Wood absorbs and desorbs water as relative humidity rises and falls, and in doing so it swells and shrinks. Making matters worse, it expands and contracts unequally along different grain directions. As humidity changes, the components of wooden objects are continually pushing and pulling against each other. This pressure often results in parts of furniture no longer fitting together closely or becoming distorted or breaking from their own internal stresses.

The response to relative humidity changes begins with determining the annual average RH for your particular space. Then try to keep the RH in the space where your furniture is as close to that average as possible, generally within about 10% up or down. De-humidify in the summer and humidify in the winter.

Be aware that raising the temperature lowers the humidity and vice versa. Thus, modern heating systems, which can drive down interior RH in the winter, almost invariably cause problems for furniture. To counteract their effect, you can either modify the RH by keeping furniture containing spaces cooler in the winter or most importantly, have a good working humidifier for your home. A humidistat automatically works to balance the humidity in your home so it is constant. Dry indoor air can suck enough moisture from its surroundings to do permanent damage to wood, causing it to crack or split.

Remember, that not all woods are created equal. Two factors that help determine how rapidly a wood will lose moisture are pore size and surface hardness. A piece made from a dense and hard wood will dry less rapidly than pieces made from softer woods.

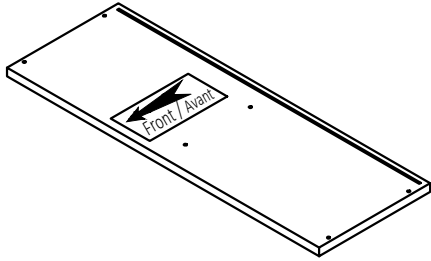
Furniture that is sealed and lacquered will lose moisture more slowly than an unfinished piece while pieces with veneer finishes are not only stronger, but lose moisture more slowly than other finishes.

To help protect your wood furniture, take these steps:

- Use a humidifier, preferably one with an automatic control system that can sense the humidity level and adjust itself accordingly. Don't over-humidify; that can damage wood by causing it to expand and contract.
- Keep furniture out of direct sunlight, which can cause it to dry out, crack and warp.
- If you can avoid it, don't put furniture near heating vents. If you must, keep the piece 3 to 4 inches away from the wall, giving the heat and air space to circulate.
- Dust with soft dry cloth.
- Do not use liquid or aerosol products.
- To avoid marking, do not place rubber on surface (foot pads, etc.)
- For soil build-up, wipe with damp cloth & dry.
- Do not use abrasive cleaners.

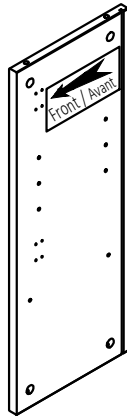
PART DESCRIPTION

A



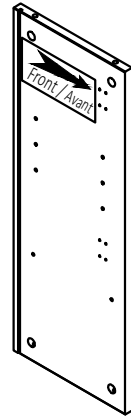
TOP
QTY 1

BL



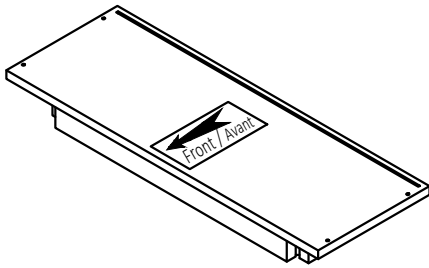
TOP LEFT SIDE
QTY 1

BR



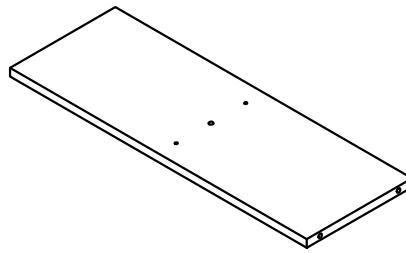
TOP RIGHT SIDE
QTY 1

C



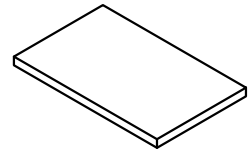
BOTTOM SHELF
QTY 1

D



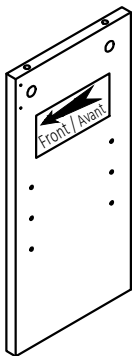
MIDDLE SHELF
QTY 1

E



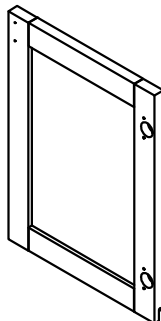
SHELF
QTY 2

F



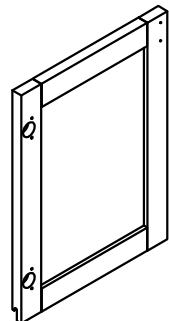
DIVIDER
QTY 1

GL



LEFT DOOR
QTY 1

GR

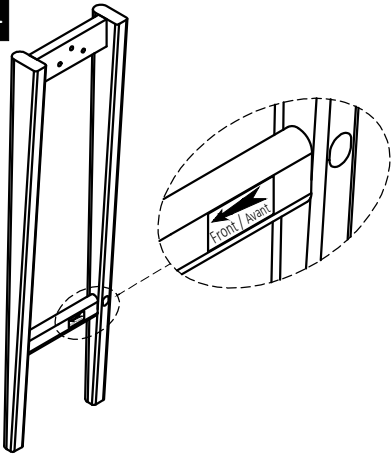


RIGHT DOOR
QTY 1

NEED HELP? For help with assembly or if you are missing a part,
Please call customer service at 1-866-518-0120 ext. 262 (9 am to 4 pm EST)

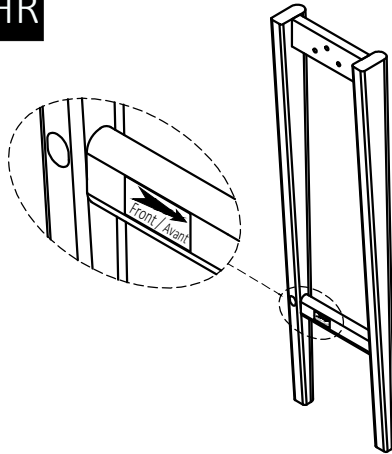
PART DESCRIPTION

HL



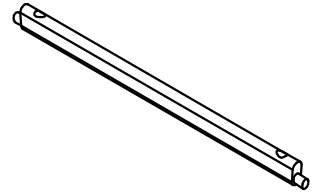
BOTTOM LEFT SIDE
QTY 1

HR



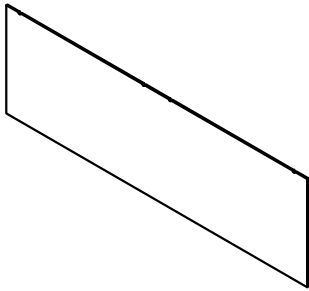
BOTTOM RIGHT SIDE
QTY 1

I



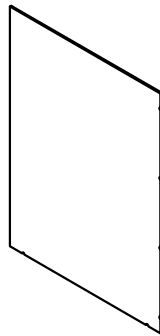
BOTTOM BAR
QTY 1

J



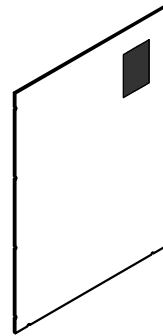
BOTTOM BACK PANEL
QTY 1

JL



LEFT BACK PANEL
QTY 1

JR

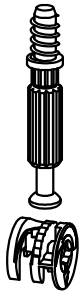


RIGHT BACK PANEL
QTY 1

NEED HELP? For help with assembly or if you are missing a part,
Please call customer service at 1-866-518-0120 ext. 262 (9 am to 4 pm EST)

HARDWARE DESCRIPTION

1



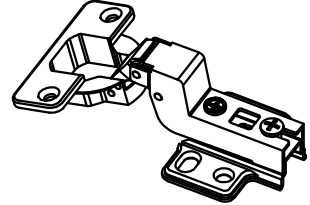
CAM LOCK PIN
CAM LOCK
QTY 14 SETS

2



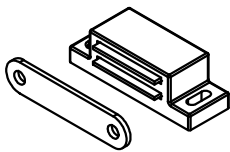
WOOD DOWEL
Ø8 X 30mm
QTY 1

3



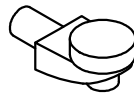
ADJUSTABLE HINGE
QTY 4

4



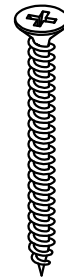
MAGNET AND PLATE
QTY 2 SETS

5



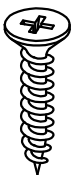
SHELF SUPPORT
QTY 8

6



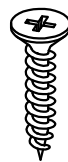
PHILLIPS SCREW
M4 X 50mm
QTY 2

7



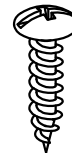
PHILLIPS SCREW
M4 X 15mm
QTY 24

8



PHILLIPS SCREW
M3 X 15mm
QTY 8

9

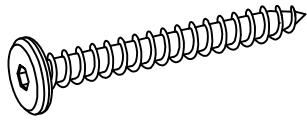


PHILLIPS SCREW
ROUND HEAD
M4 X 15mm
QTY 8

NEED HELP? For help with assembly or if you are missing a part,
Please call customer service at 1-866-518-0120 ext. 262 (9 am to 4 pm EST)

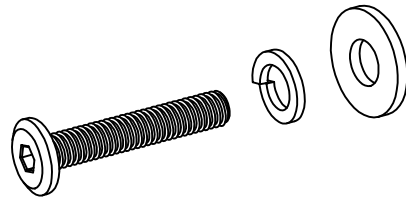
HARDWARE DESCRIPTION

10



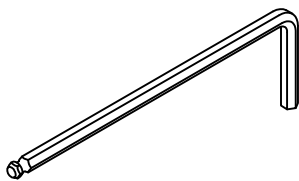
ALLEN KEY SCREW
M6 X 50mm
QTY 2

11



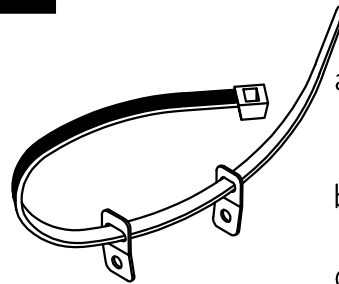
ALLEN KEY BOLT: M6 X 35mm - QTY 6
LOCK WASHER: Ø10 / Ø6 X 1.5mm - QTY 6
WASHER: Ø16 / Ø6 X 1mm - QTY 6
QTY 6 SETS




12



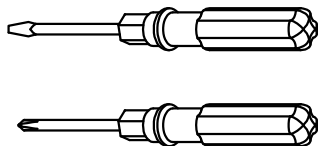
ALLEN KEY
QTY 1

13

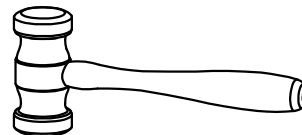


- a.  M4 X 25mm - QTY 2
(1 is extra)
- b.  M4 X 15mm - QTY 1
- c.  M4 X 25mm - QTY 1

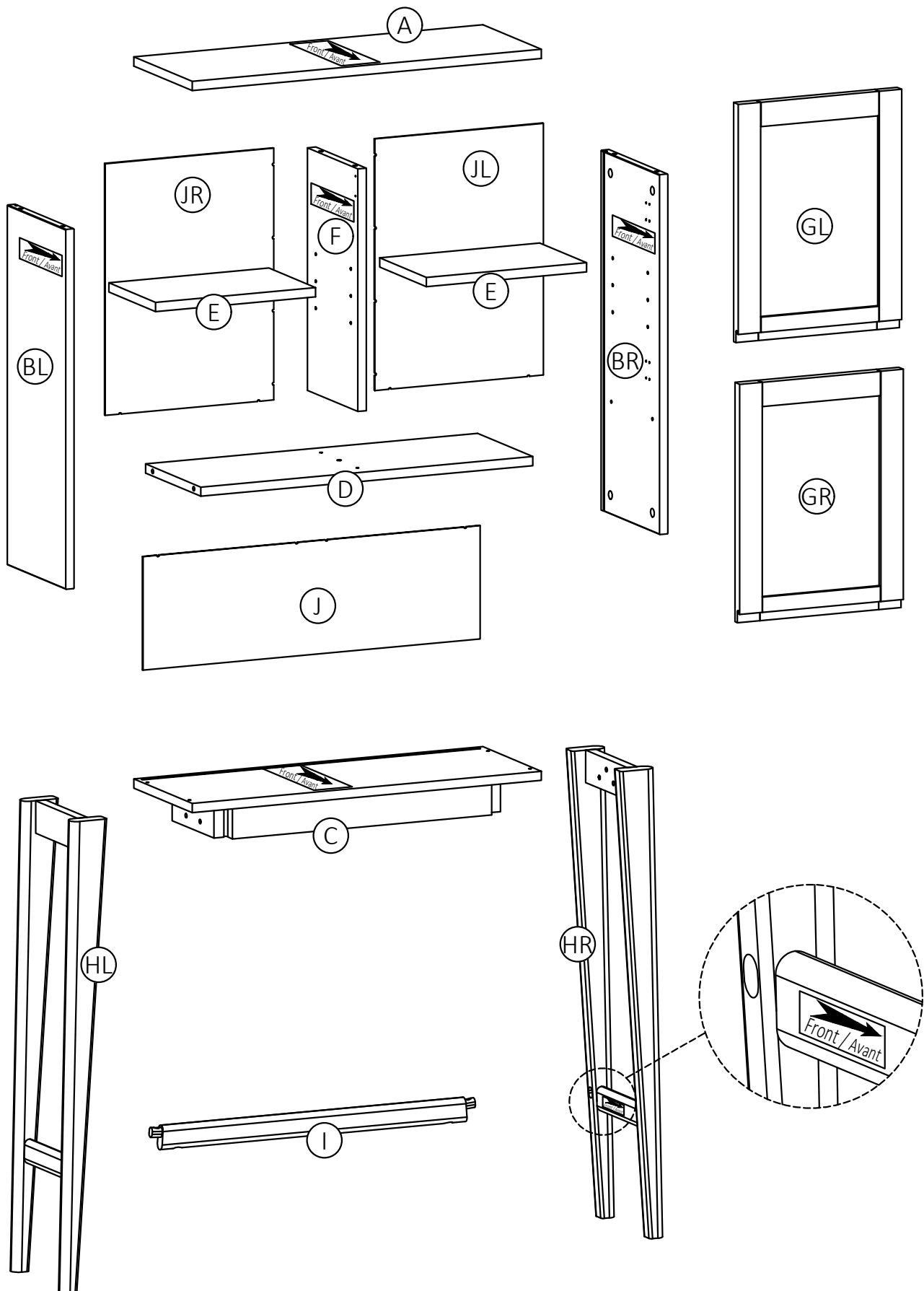
FURNITURE TIP OVER RESTRAINT
QTY 2 SETS



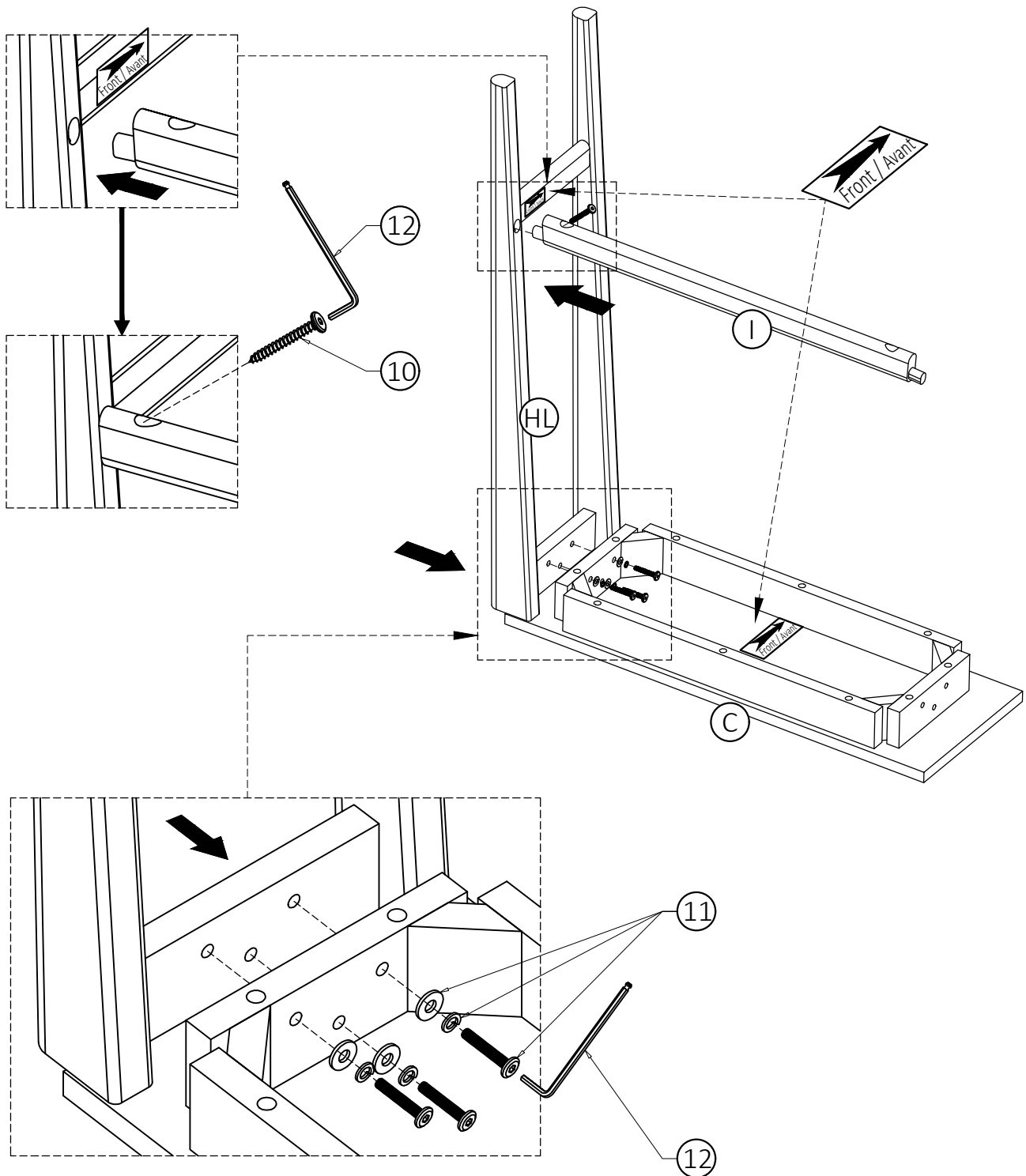
Required -
Flathead screwdriver
Phillips screwdriver
Rubber mallet
Not Included



NEED HELP? For help with assembly or if you are missing a part,
Please call customer service at 1-866-518-0120 ext. 262 (9 am to 4 pm EST)

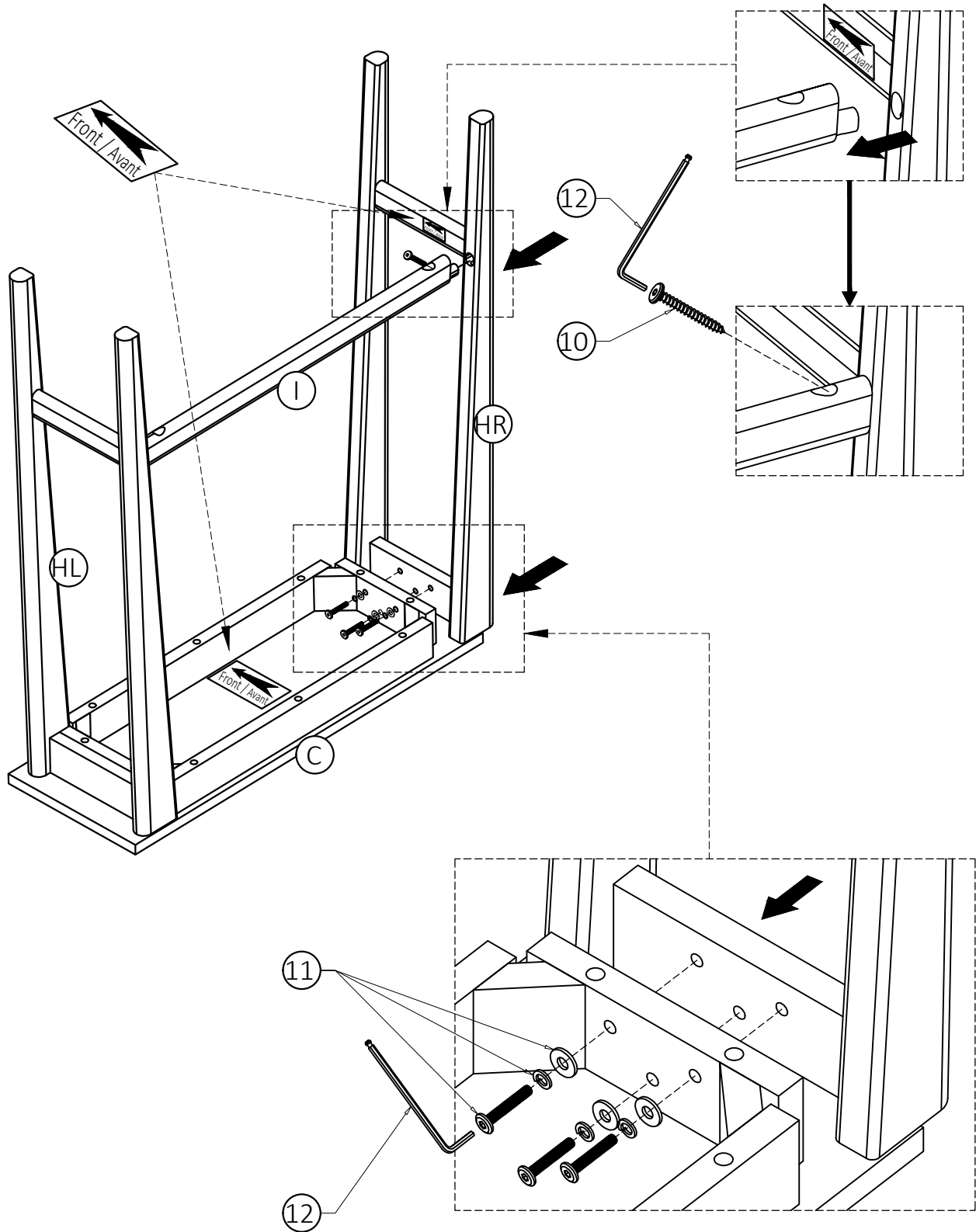


STEP-1



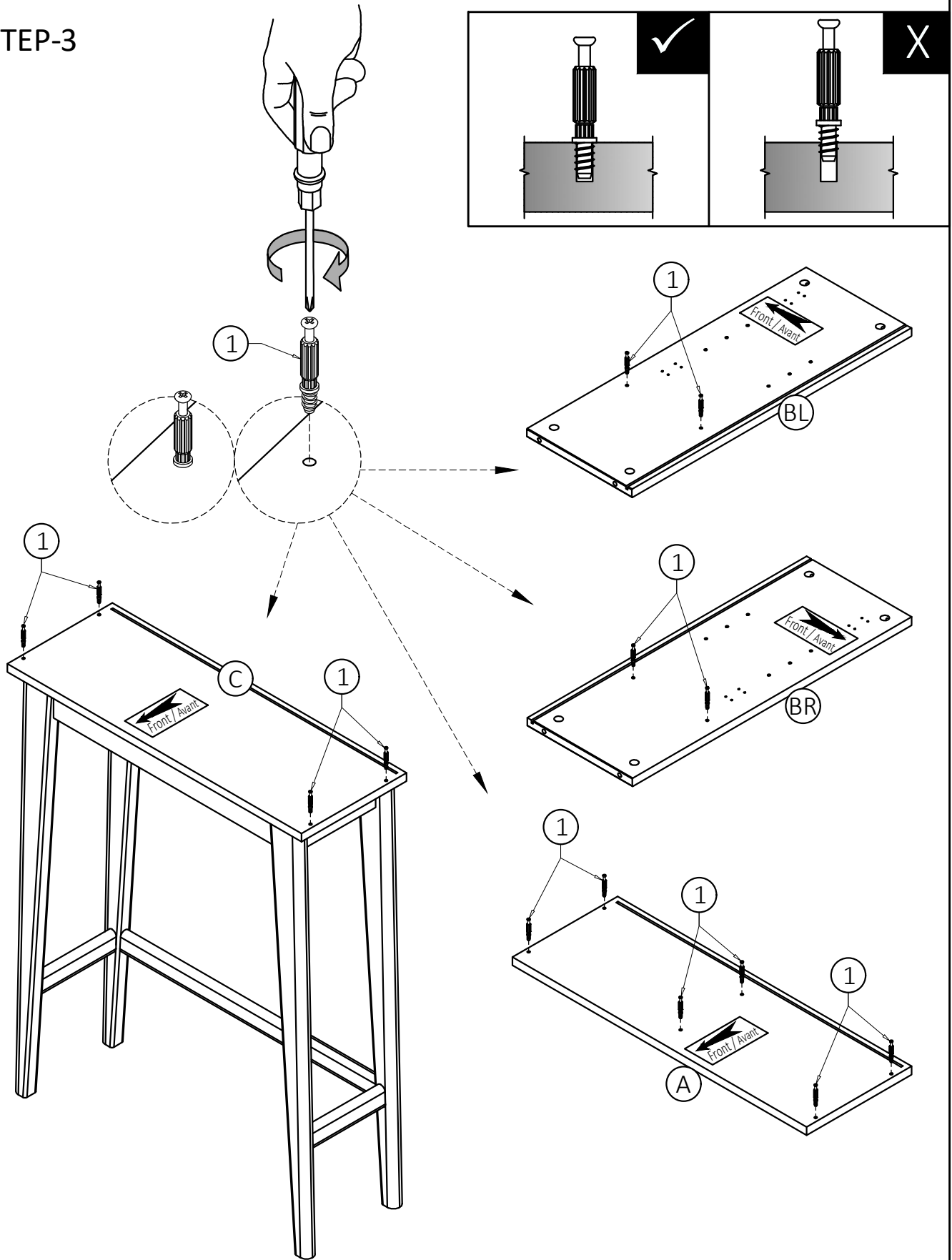
1. Attach part (HL) to part (C). Use three sets Allen Key Bolts, Lock Washers and Washers (11) to secure part (HL) and (C).
2. Attach part (I) to part (HL). Use one Allen Key Screw (10) to secure part (HL) and (I).
3. Use Allen Key (12) to tighten Allen Key Bolts and Screw. Do not over-tighten.

STEP-2



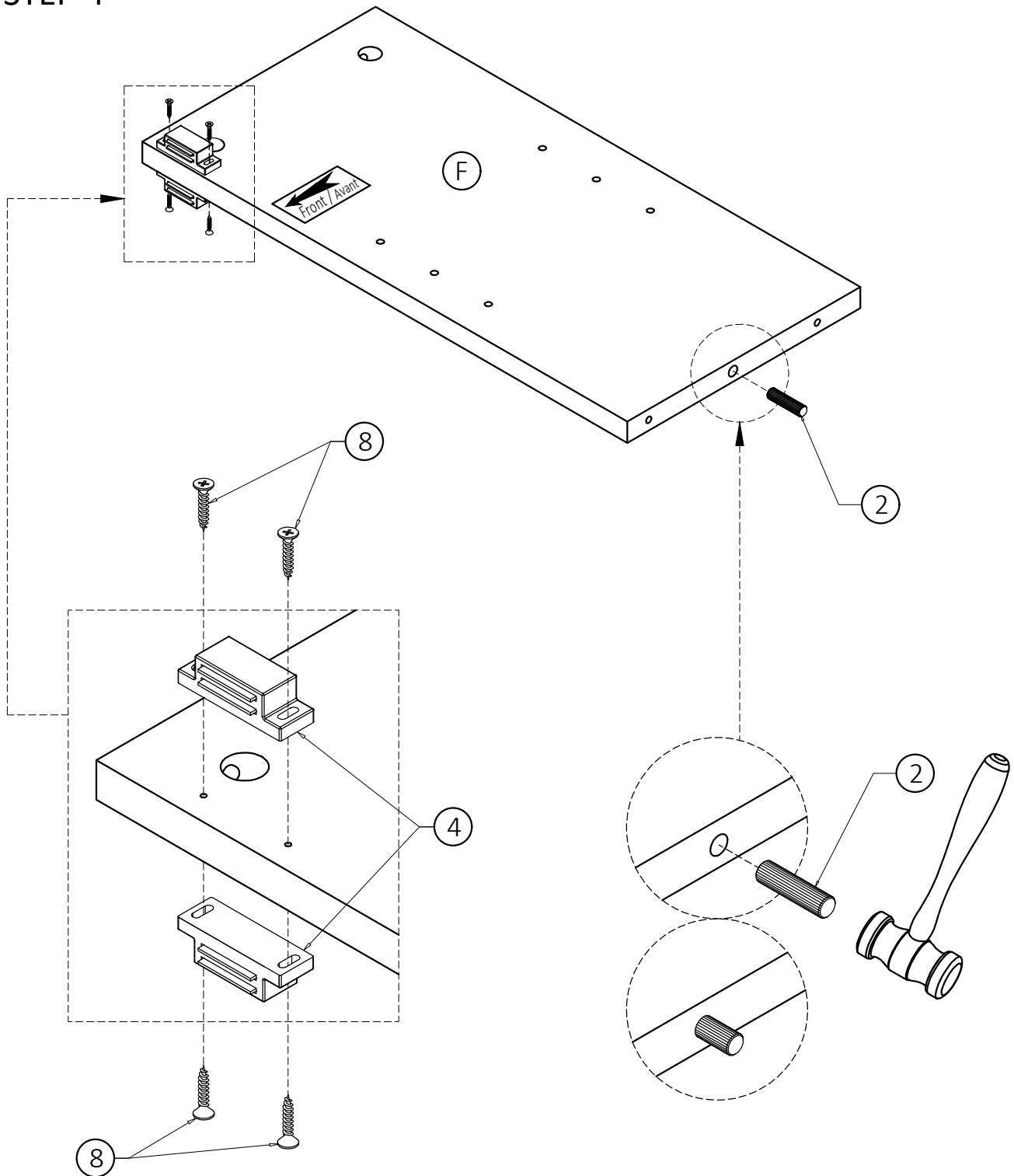
1. Repeat Step-1 for the Bottom Right Side (HR).

STEP-3



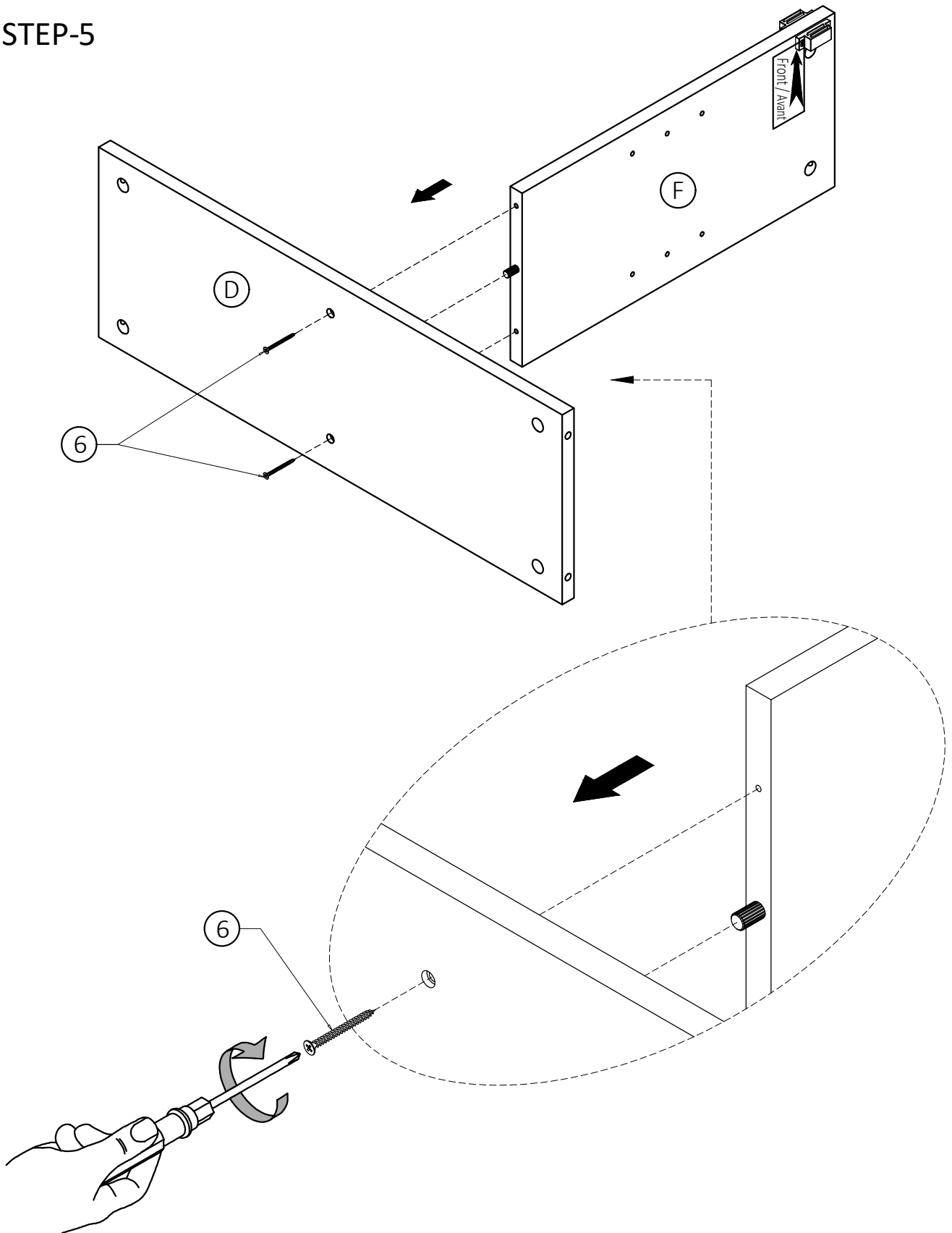
1. Attach Cam Lock Pins (1) into pre-drilled holes on each part (A), (BL), (BR), (C).
2. Use Phillips screwdriver to secure Cam Lock Pins. Do not over-tighten.

STEP-4



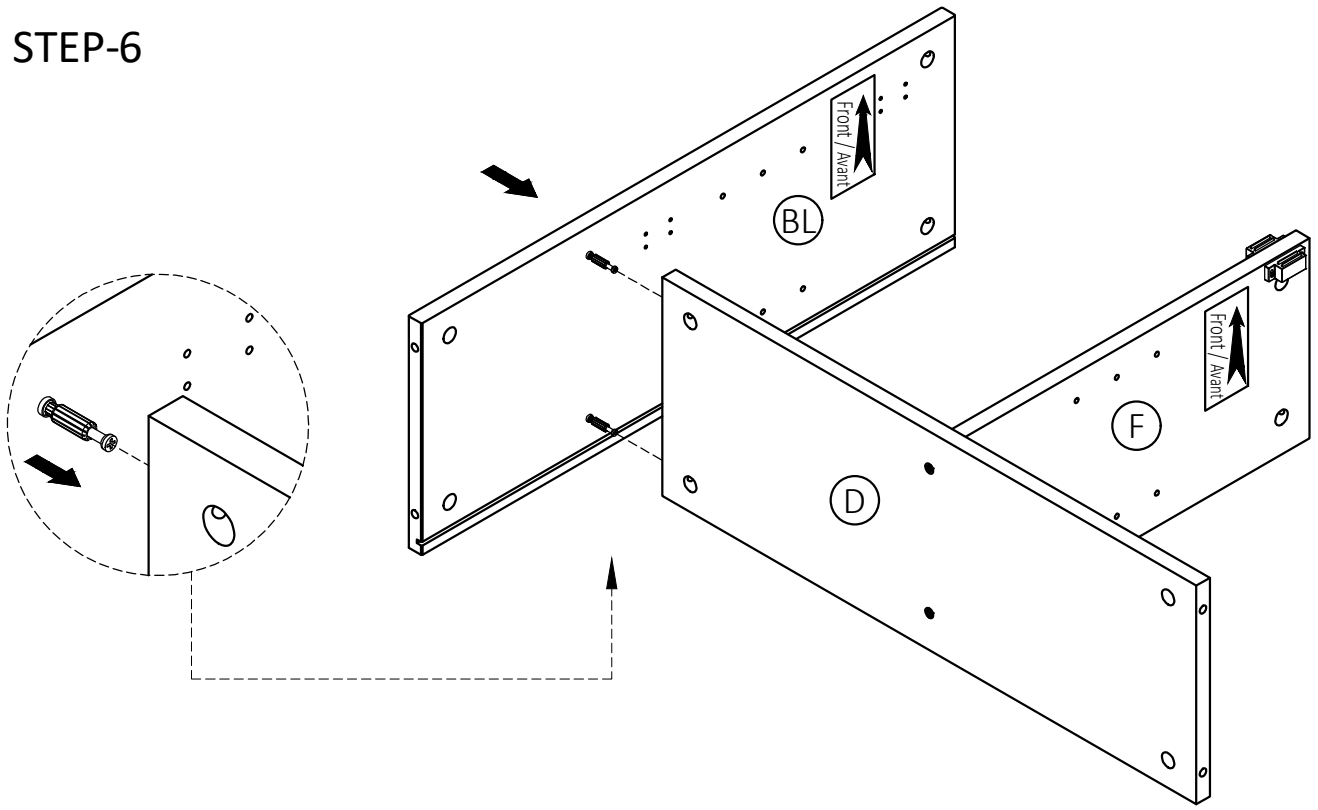
1. Attach Magnet (4) using Phillips Screws (8) into pre-drilled holes on part (F).
2. Use Phillips screwdriver to secure Screws. Do not over-tighten.
3. Insert one Dowel (2) into guide holes on part (F).
4. Use rubber mallet to tap Dowel (2) into bottom of holes securely. 1/2 length of Dowels should be exposed.

STEP-5

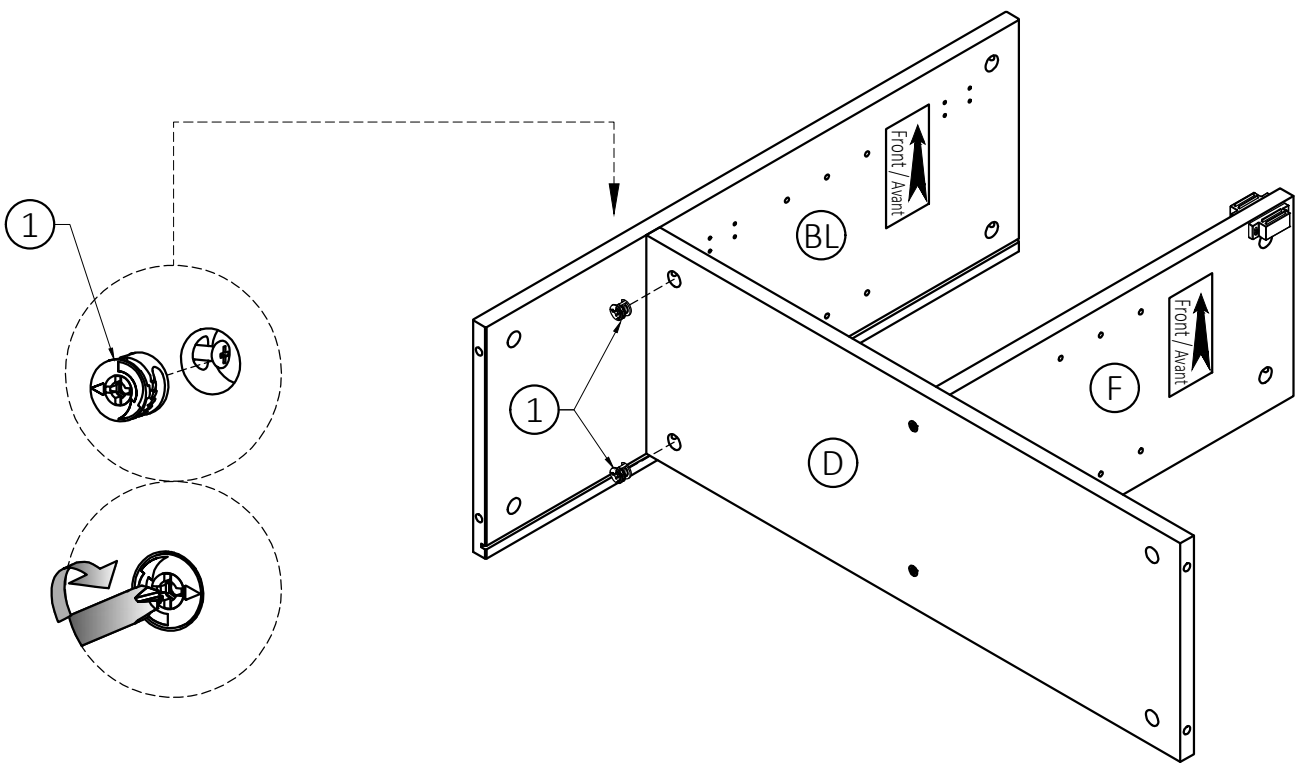


1. Align Wood Dowel with guide hole on part (D) and attach part (F) to part (D).
2. Insert two Phillips Screws (6) into guide holes on part (D).
3. Use Phillips screwdriver to secure Screws.

STEP-6

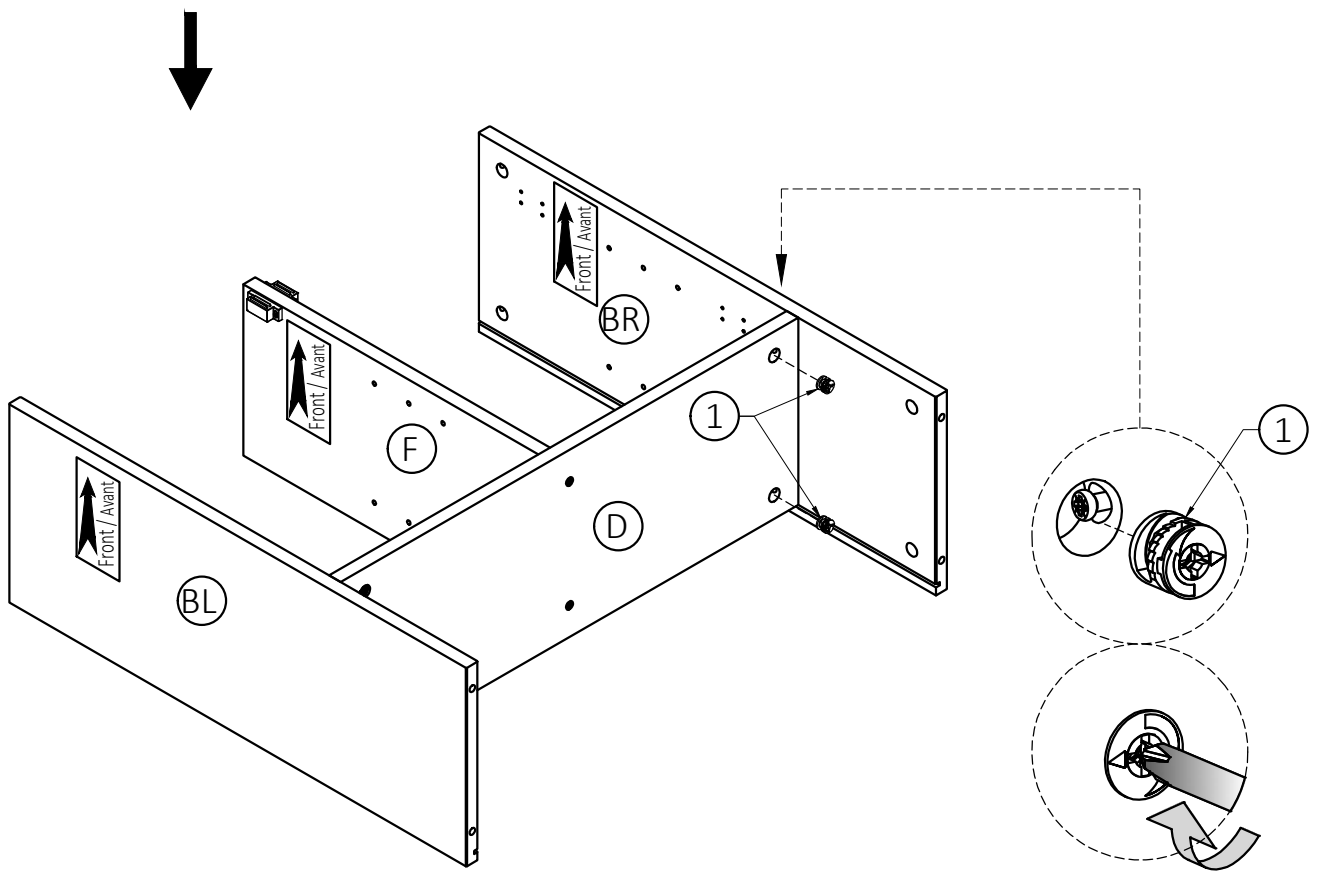
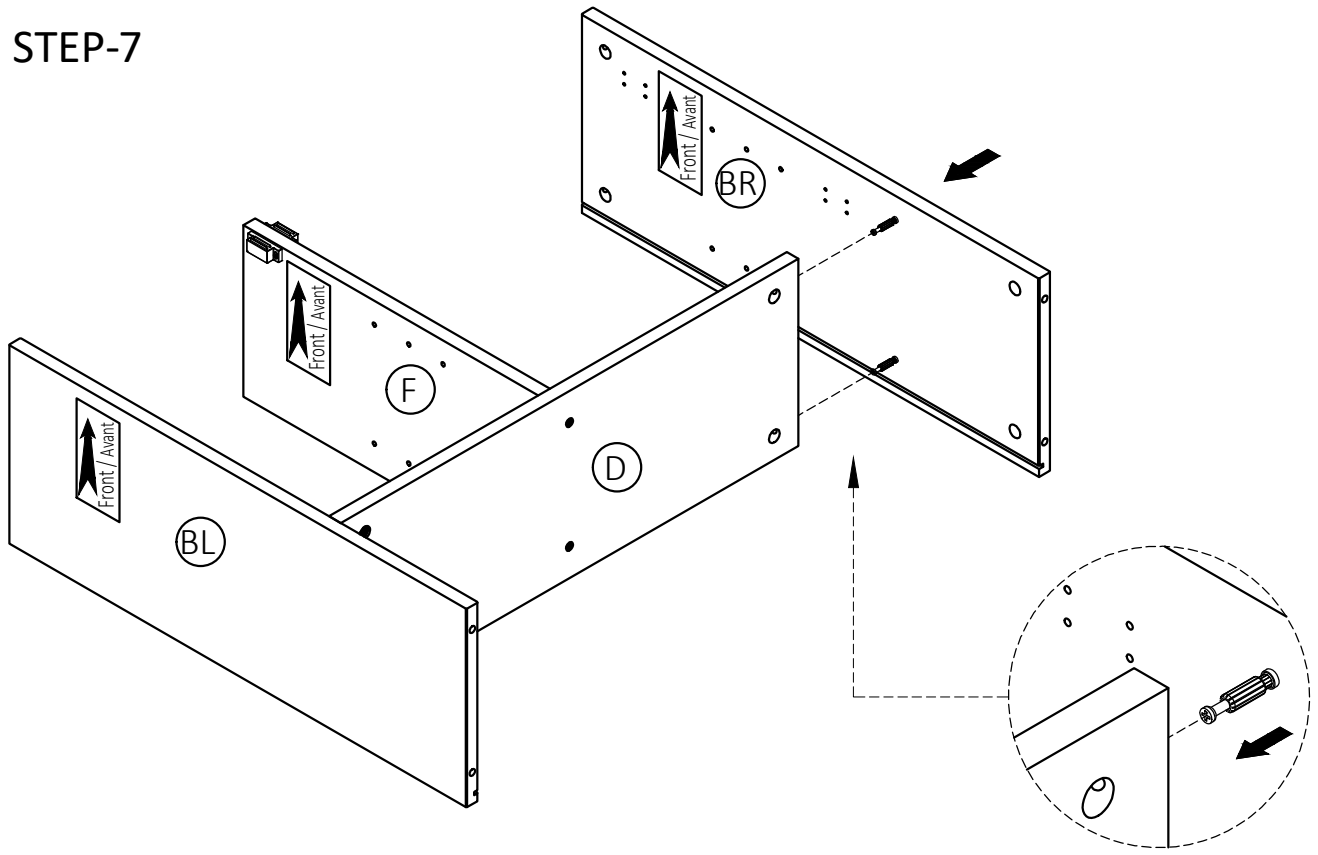


1. Align Cam Lock Pins with guide holes on part (D) and attach part (BL) to part (D).



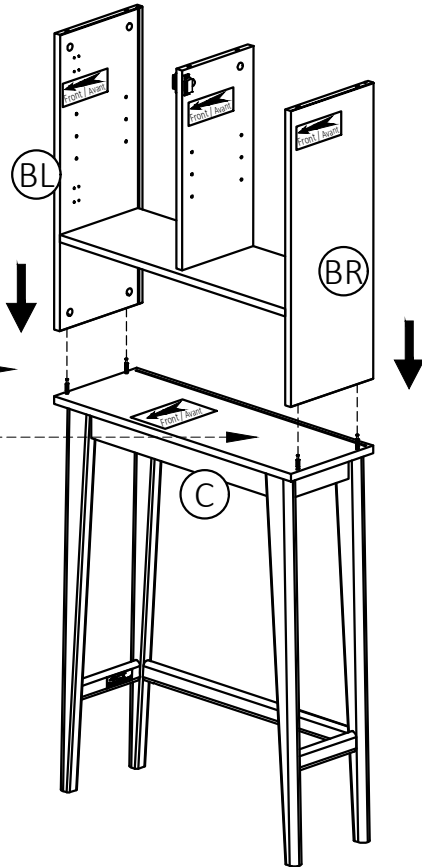
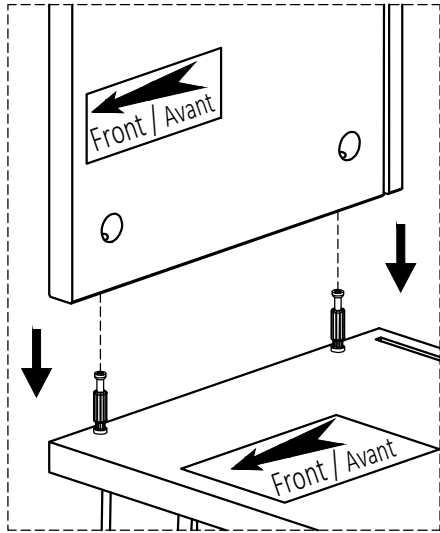
2. Insert two Cam Locks (1) into guide holes on part (D) .
3. Use Phillips screwdriver to secure Cam Locks.

STEP-7

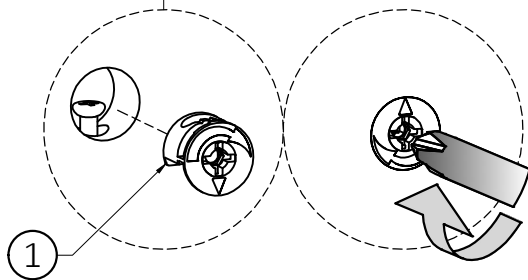
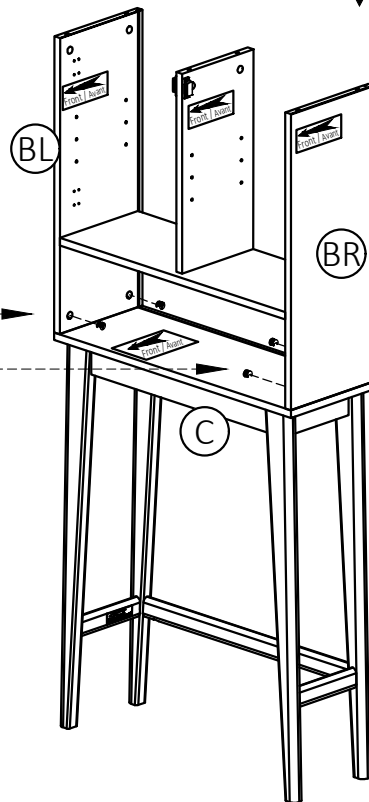
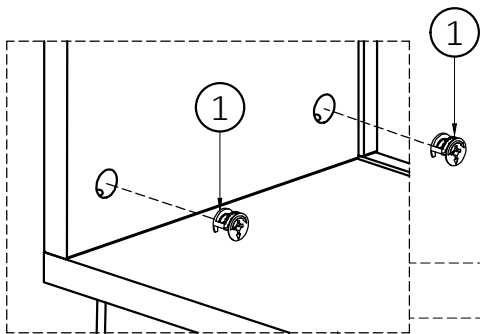


1. Repeat Step-6 for the Right Side (BR).

STEP-8

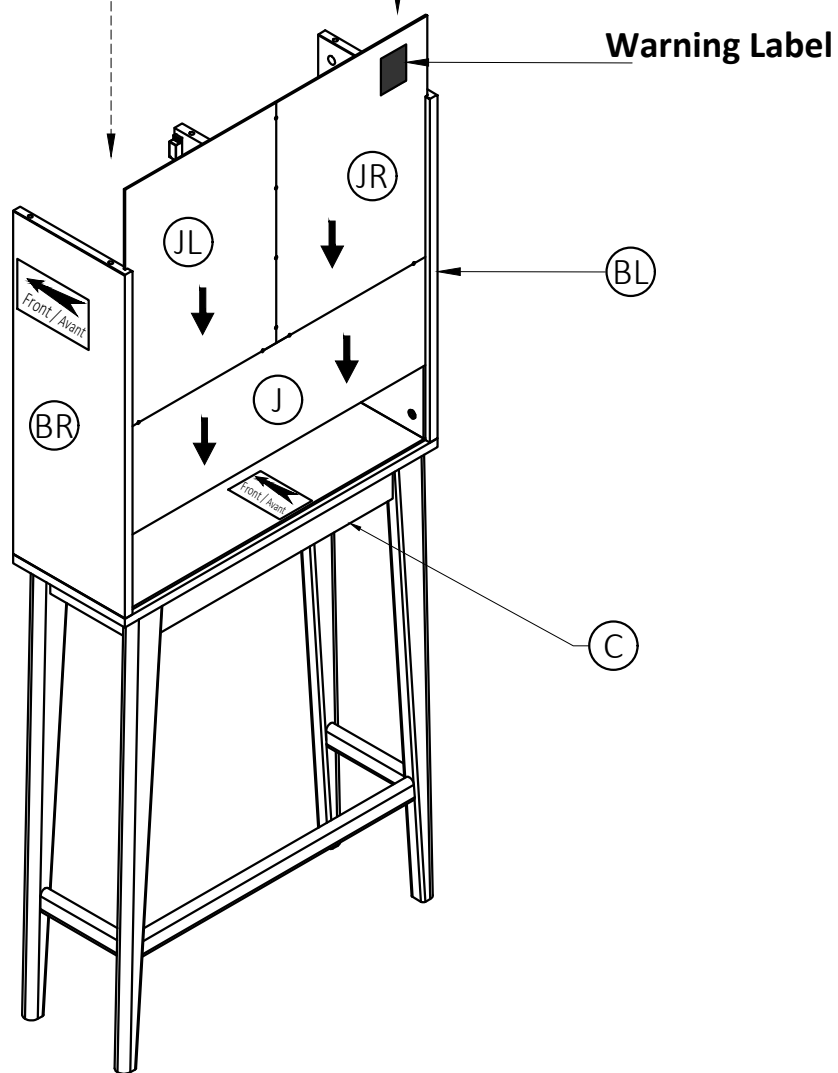
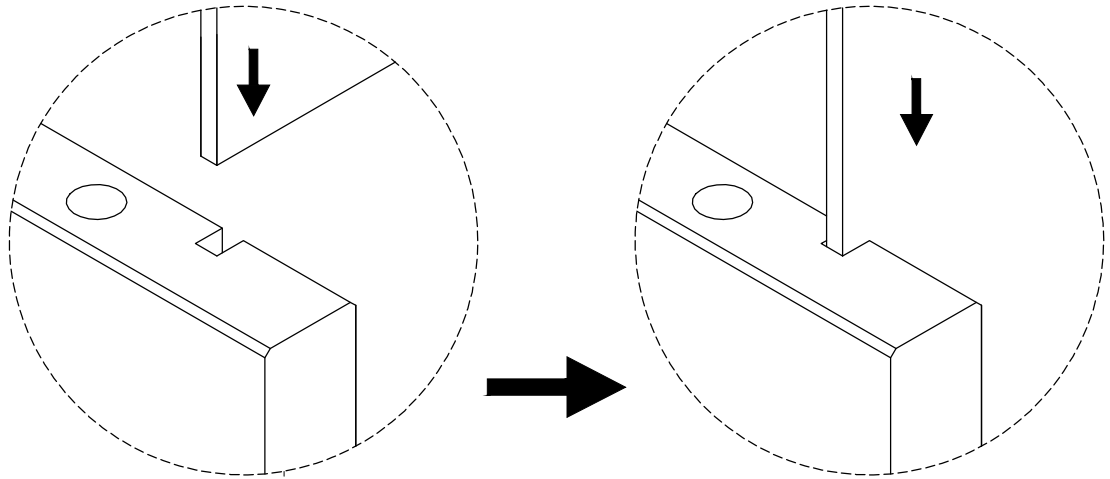


1. Align Cam Lock Pins with guide holes on top frame and attach top frame to bottom frame.



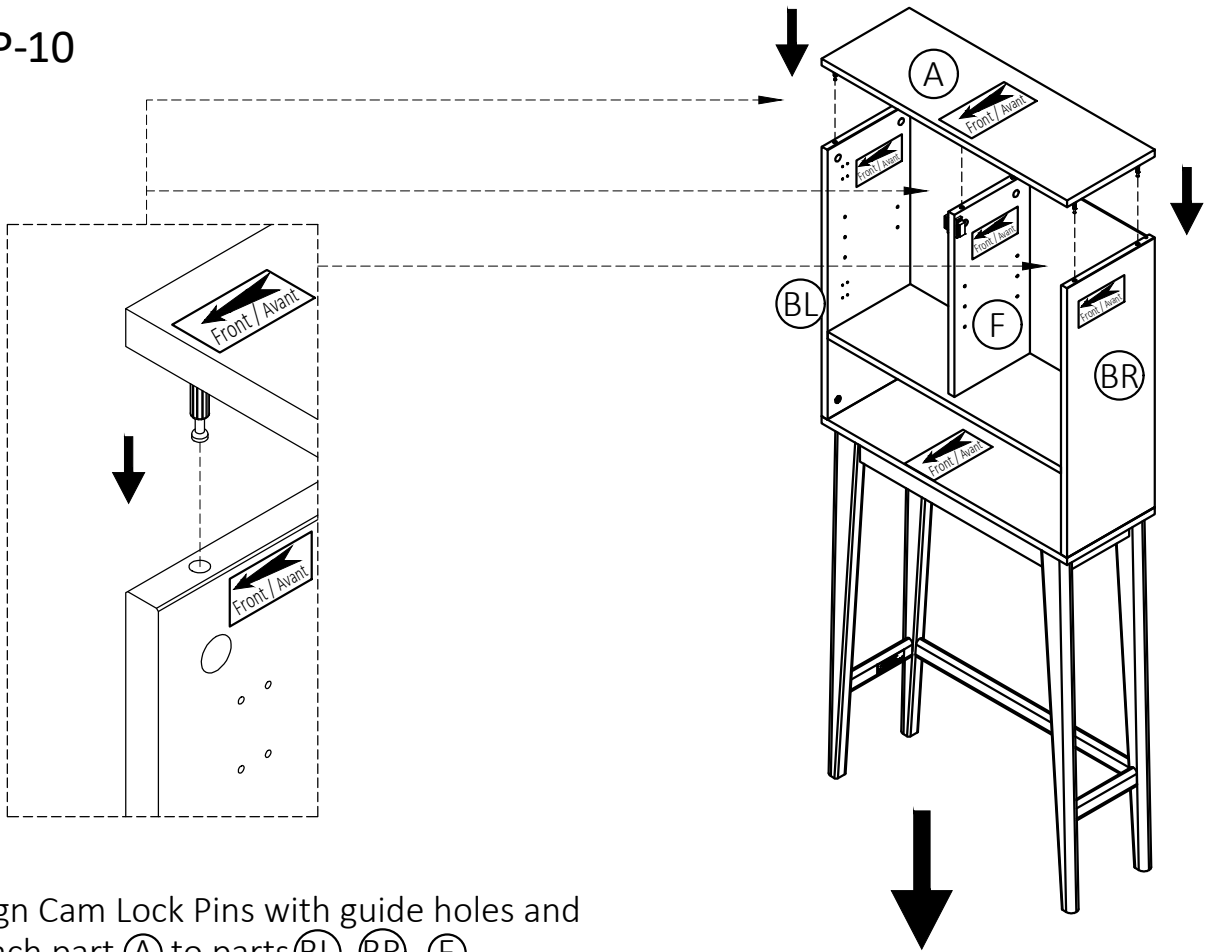
2. Insert two Cam Locks (1) into guide holes on each part (BL), (BR).
 3. Use Phillips screwdriver to secure Cam Locks.

STEP-9

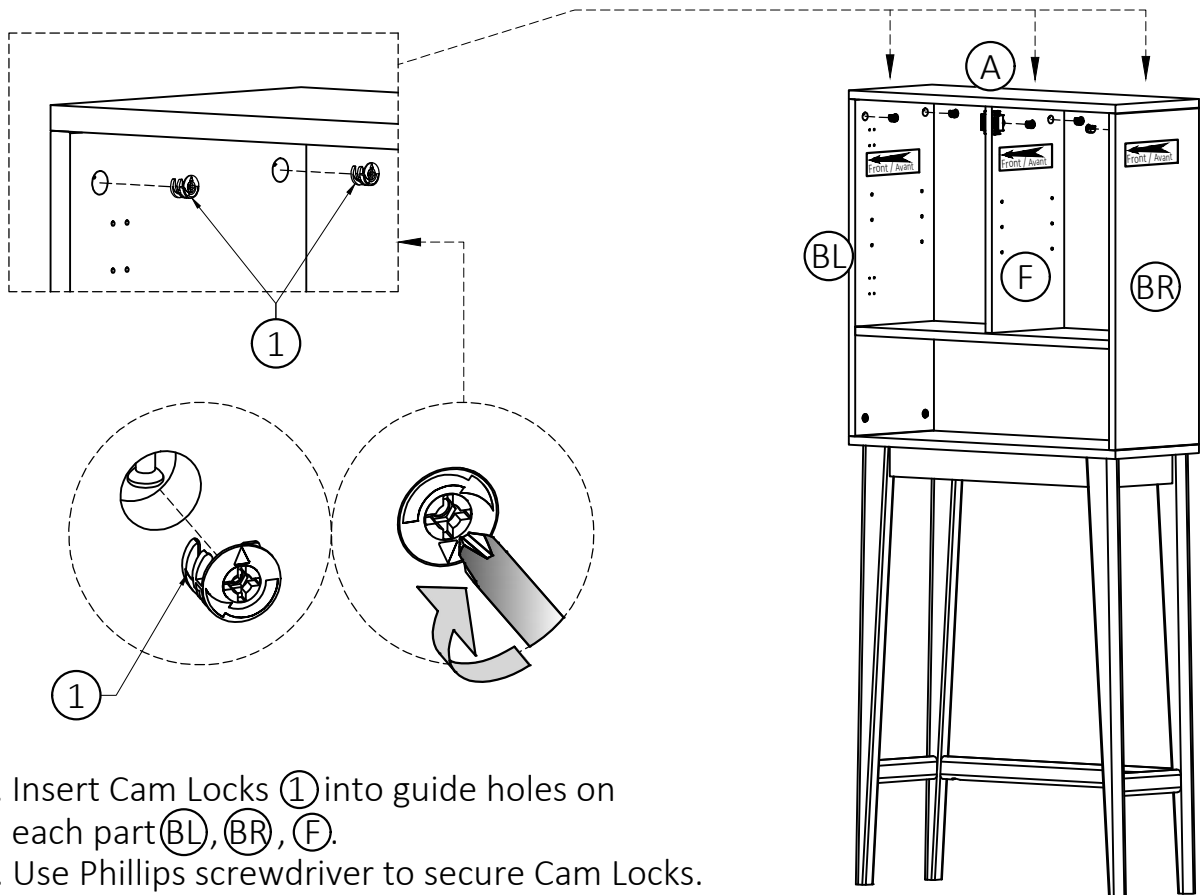


1. Slide Back Panels (J), (JL), (JR) firmly into slots on Sides (BL), (BR) and Bottom Shelf (C).

STEP-10

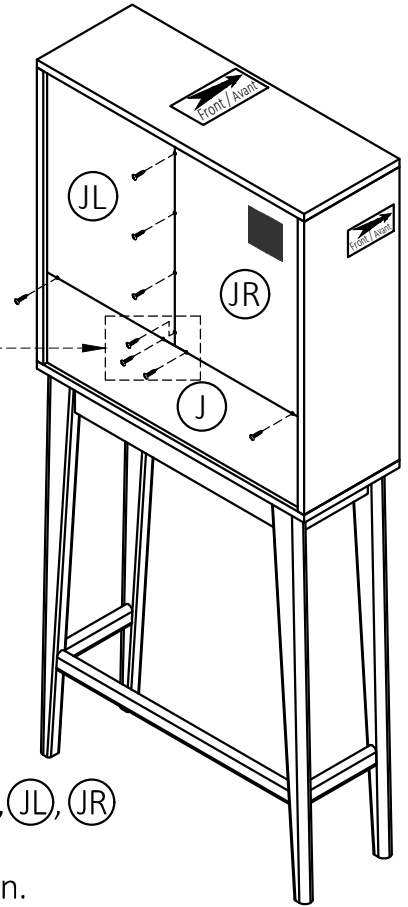
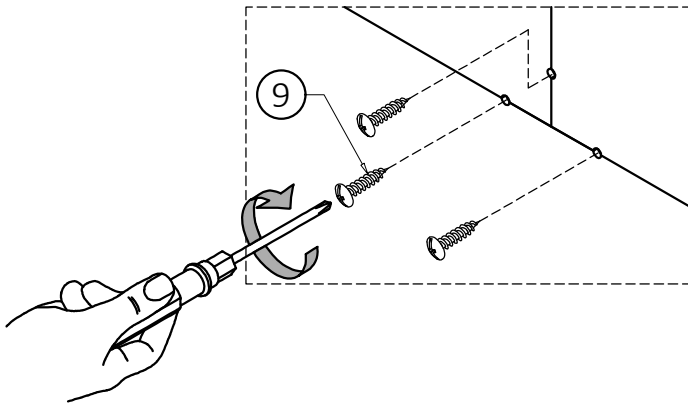


1. Align Cam Lock Pins with guide holes and attach part (A) to parts (BL), (BR), (F).



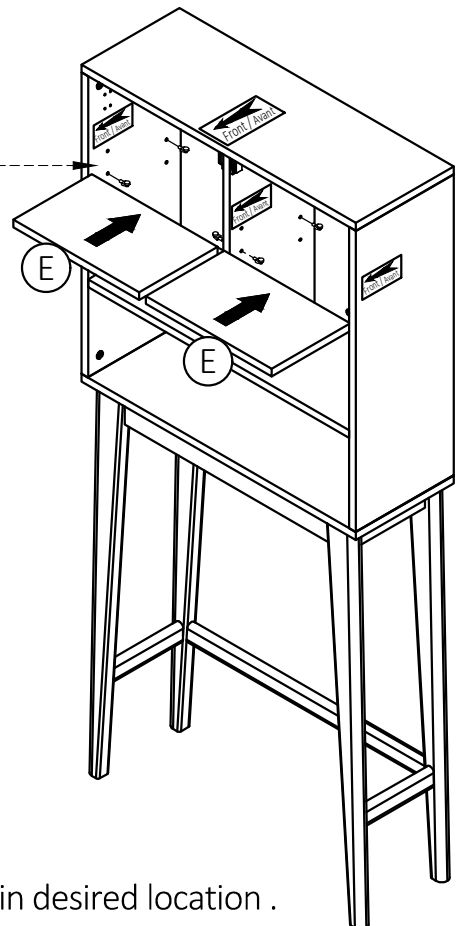
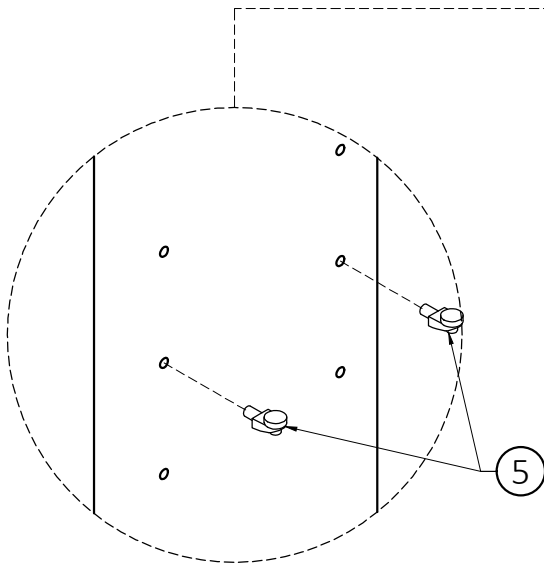
2. Insert Cam Locks (1) into guide holes on each part (BL), (BR), (F).
3. Use Phillips screwdriver to secure Cam Locks.

STEP-11



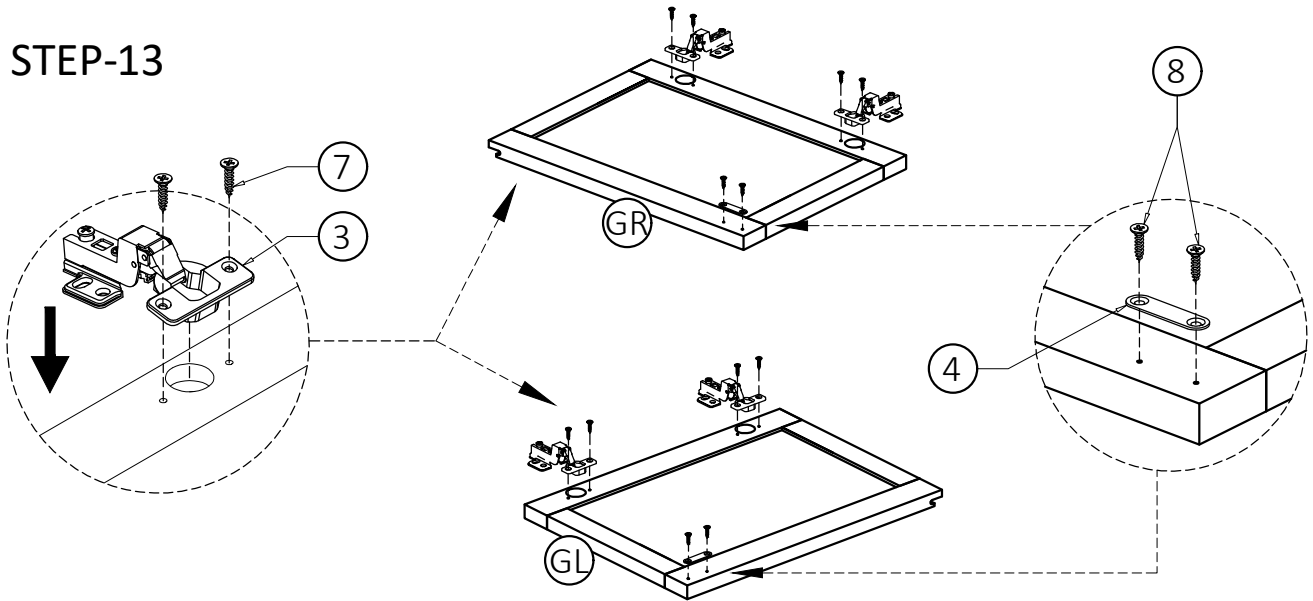
1. Use Phillips Screws Round Head (9) to attach Back Panels (J), (JL), (JR) through guide holes.
2. Use Phillips screwdriver to secure Screws. Do not over-tighten.

STEP-12



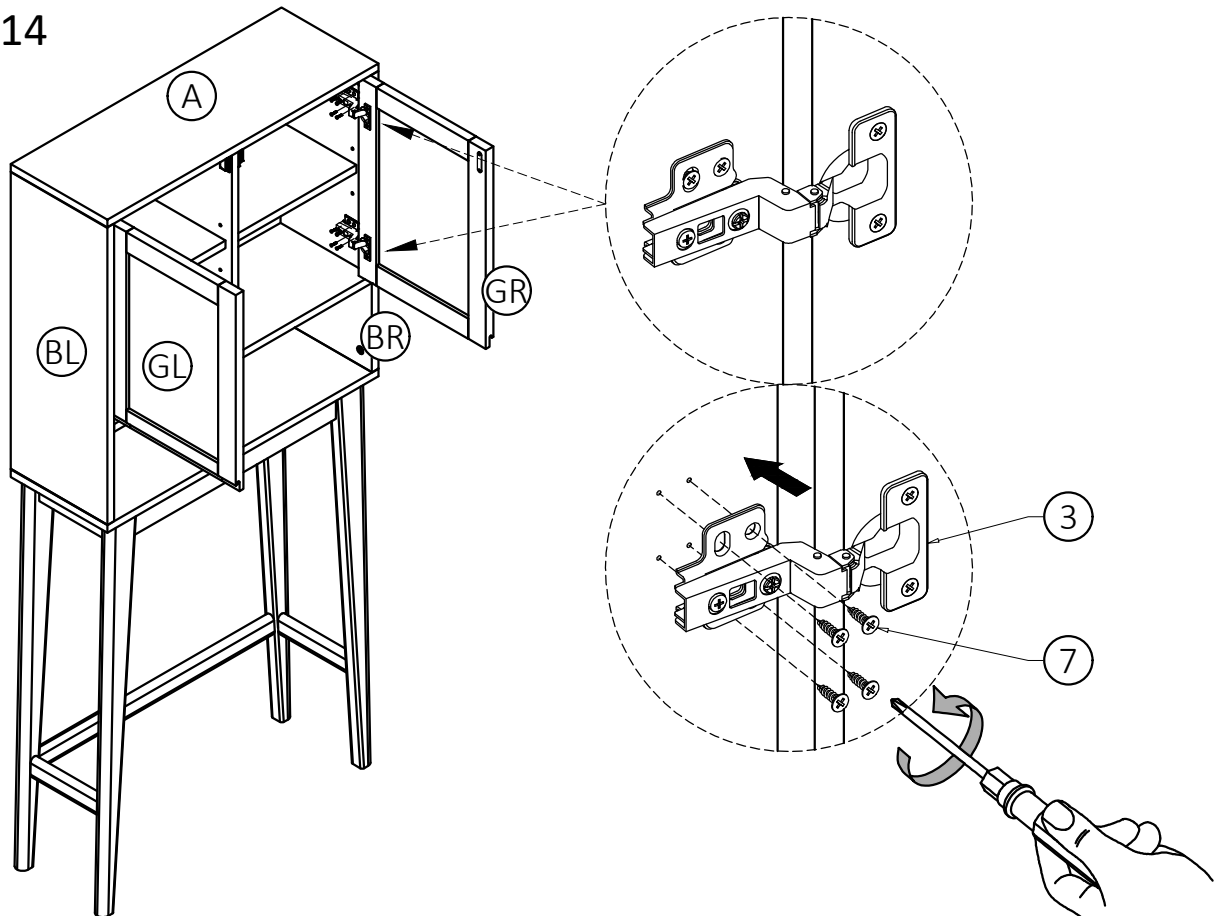
1. Use four Shelf Supports (5) for each Cabinet Shelf (E) in desired location .

STEP-13



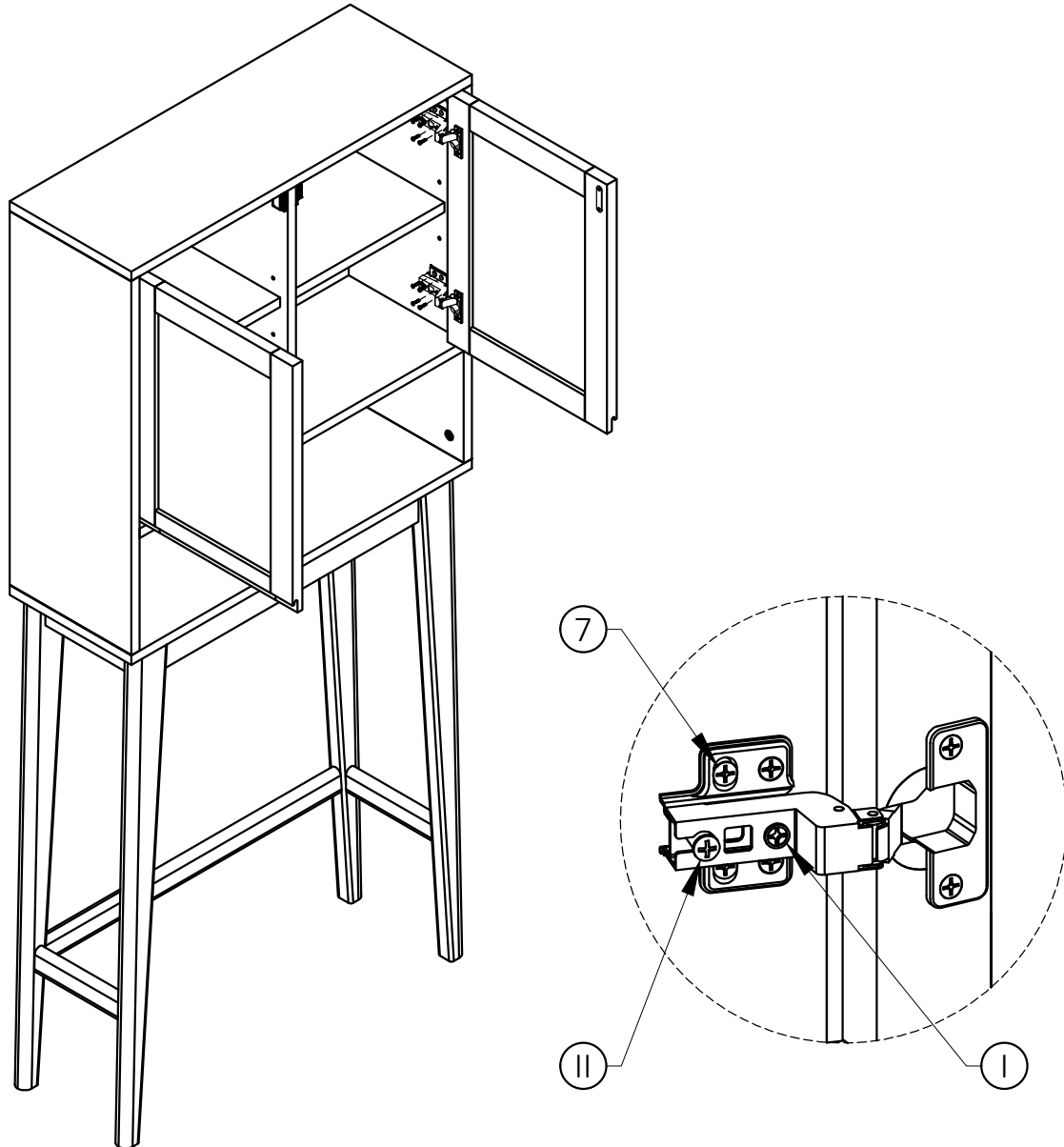
1. Attach Adjustable Hinges (3) to Doors (GL, GR) using Phillips Screws (7) into pre-drilled holes on Doors (GL, GR).
2. Attach Magnet Plates (4) to top corner of Doors (GL, GR) using Phillips Screws (8) into pre-drilled holes on Doors (GL, GR).

STEP-14



1. Attach Adjustable Hinges (3) on Doors (GL, GR) to Sides (BL, BR) using Phillips Screws (7) into pre-drilled holes on parts (BL, BR).
2. Use Phillips screwdriver to snugly tighten screws.

STEP-15

IMPORTANT NOTE:

Tighten the Screw marked (II) to fasten hinge. The door may need to be adjusted so that all the spaces between the door and the unit sides are equal.

To adjust, follow instructions:

1. Side adjustment 4 mm

To move the door towards the side panel, loosen screw (I) and tighten screw (II).

To move the door away from the side panel, loosen screw (II) and tighten screw (I).

2. Depth adjustment 4 mm

Loosen screw (II) (just one turn), adjust door to desired position, re-tighten screw .

3. Height adjustment

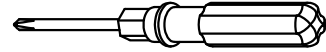
Loosen screw (7), adjust door to desired position, re-tighten screw .

FURNITURE TIP OVER RESTRAINT ASSEMBLY

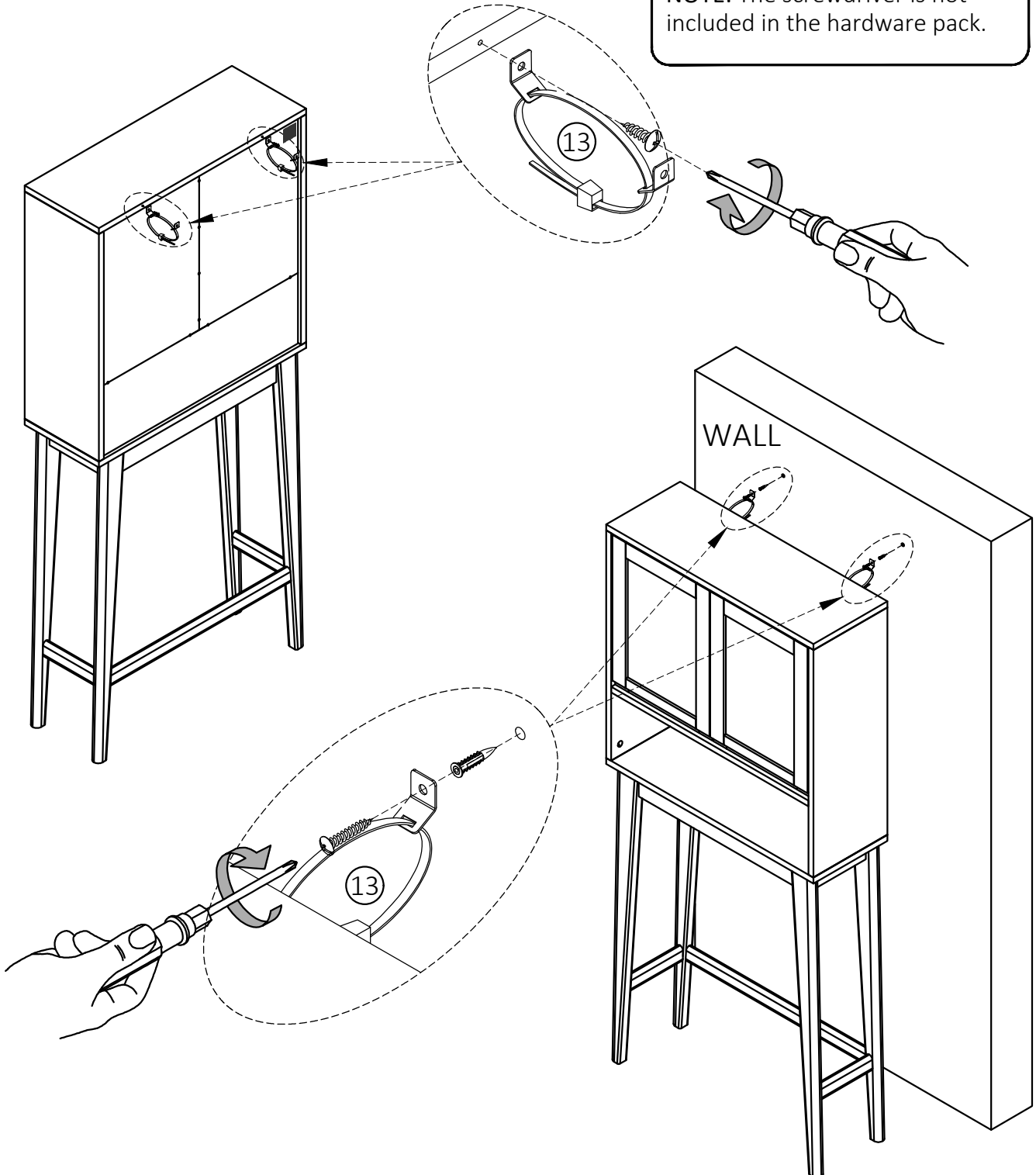
WARNING

Serious or fatal crushing injuries can occur from furniture tip-over.
If the furniture tip over restraint kit is not in the box, please contact our customer service department in order to obtain another kit before using the furniture.

STEP-16



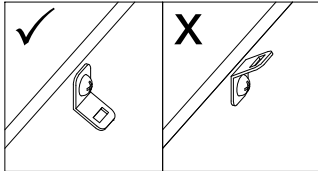
NOTE: The screwdriver is not included in the hardware pack.



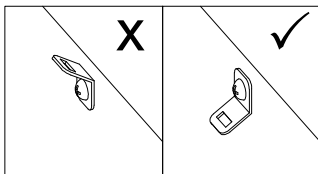
FURNITURE TIP OVER RESTRAINT ASSEMBLY

Furniture Tip Over Restraint Instructions:

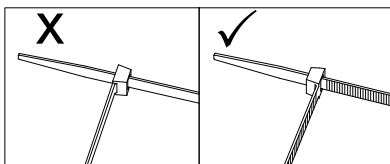
1. Attach one of the mounting brackets securely to the back edge of the furniture. Use the shorter screw.



2. Determine where furniture is to be placed and mark location on the wall for mounting bracket screw hole approximately 2 inches **below** the bracket mounted to the furniture.



3. Drill a 3/16 inch hole in the wall. Press the plastic anchor into the hole and gently tap until the flange on the anchor is against the wall surface.
4. Position the bracket over the anchor and use the longer screw to securely attach the bracket to the wall.
5. Place the furniture so the back edge is in line with the bracket on the wall.
6. Lace an end of the nylon zip-tie strap down through each bracket. Bring both ends together and slide the smooth side upright through the square-shaped end and pull through to create the "locked" position.
7. Check to make sure the strap is securely laced and locked to the brackets.



- DO NOT put a TV or other heavy objects on top of a chest of drawers or any other furniture not intended for use with a TV
- DO NOT place heavy objects in top drawers
- DO NOT let children climb or hang on drawers, doors or shelves



WARRANTY

Thank you for purchasing a Simpli Home – Wyndenhall – Brooklyn + Max product. These products have been made to demanding, high-quality standards and are guaranteed for domestic use against manufacturing faults for a period of 12 months from the date of purchase. This warranty does not affect your statutory rights.

In case of any malfunction of your product (failure, missing parts, etc.) please contact us at our toll free service line at 1-866-518-0120 ext. 262 from 9 am to 4 pm, Monday to Friday, Eastern Standard Time or by email at customerservice@simpli-home.com.

We reserve the right to repair or replace the defective product, at its discretion.

This product is guaranteed for 12 months if used for normal purposes. Any warranty is invalid if the product has been overloaded or subject to neglect, improper use or an attempted repair by other than an authorized agent. Heavy-duty or daily professional/commercial usage are not guaranteed.

Due to continuous product improvement, we reserve the right to change the product specifications without prior notice.