

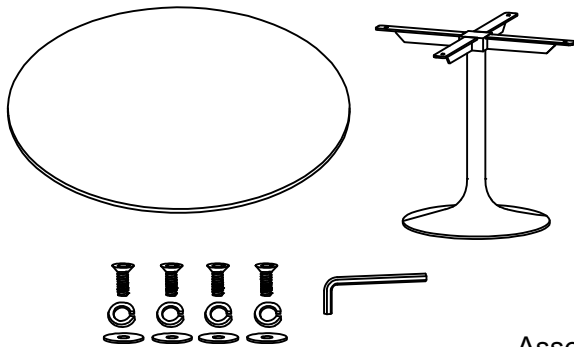
# B E R N H A R D T

## ASSEMBLY INSTRUCTIONS FOR 301-261 Alexis Round Table Top / 301-241 Table Base

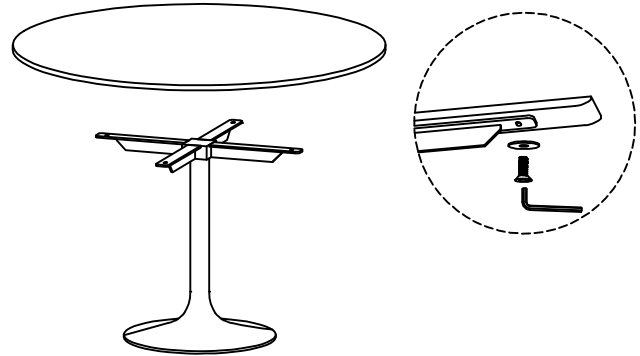
Thank you for purchasing Bernhardt Furniture. Be sure to check all packing materials carefully to ensure proper assembly.

Please read all instructions carefully before starting the assembly process. Some parts are large and heavy and require at least two people to assemble, in order to prevent possible injury and/or damage to the furniture.

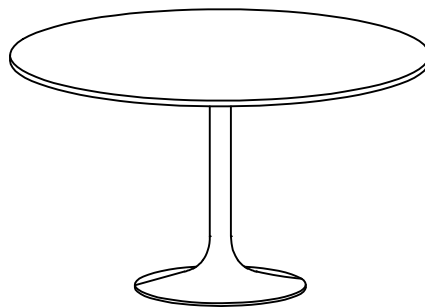
Step -1



Step -2



Assembled Pc



### PARTS LIST

NO.	DRAWING	DESCRIPTION	SIZE	QTY.
<b>A</b>		Marble Top 301-261	54" x 54"x1.5"	1
<b>B</b>		Metal Base 301-241	31"x31"x28.50"	1
<b>C</b>		Allen Bolt	8mm X 25mm	4
<b>D</b>		Washer	25mm	4
<b>E</b>		Lock Washer	25mm	4
<b>F</b>		Allen Key	6mm	1

### ASSEMBLY INSTRUCTIONS

- 1 Place the Marble Top (A) and Metal Base (B) on a padded, clean surface.
- 2 Place Marble Top on Metal Base.
- 3 Carefully align holes in base and top and attach using Allen Bolt (C), Flat Washer (D) and Lock Washer (E) using Allen Key (F) as shown.
- 4 Assembly is now complete.

### CLEANING INSTRUCTIONS

Clean surfaces with a soft, damp cloth. Dry immediately.