

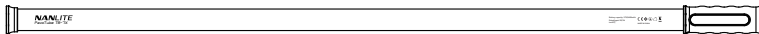
NANLITE

PavoTube T8-7X
USER MANUAL

Guangdong NanGuang Photo&Video Systems Co., Ltd

PavoTube T8-7X RGBWW LED Pixel Tube Light

■ Product Diagram



■ Technical Data

Rated Power: 8W

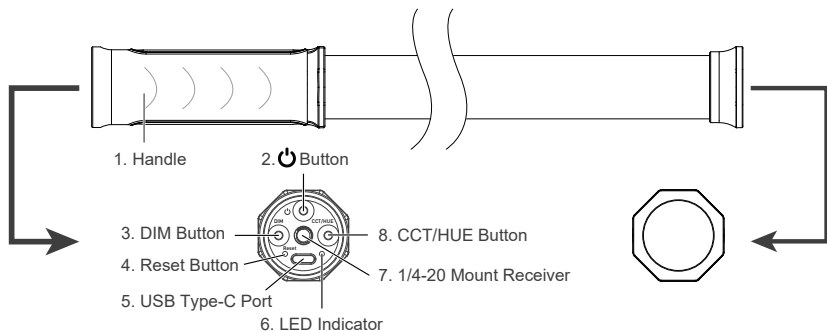
Input Voltage/Current: DC5V/2A

Color Temperature: 2700K-7500K

CRI: Average 96

TLCI: Average 97

Product Details



Detailed Description

1. Handle: To hold the fixture.
2. ⏻ Button: Long press the button to turn the light on/off, short press the button to switch between CCT and HSI modes.
3. DIM Button: Short press DIM button to adjust the intensity in fixed intervals.
4. Reset Button: Press the reset button to turn off the fixture when the function is stuck. Long press the ⏻ button to restart the fixture if needed.
5. USB Type-C Port: For power input or firmware updates. And for DMX signal input and output when connected with USB-C to DMX cable splitter. (Note: The USB-C to DMX cable splitter is sold separately.)

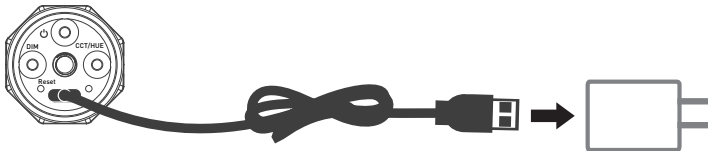
6. LED Indicator: To determine the status of power input. The indicator flashes when charging; the indicator is on when fully charged; the indicator is on when the light is being used.
7. 1/4-20 Mount Receiver: To mount accessories with a 1/4-20 mount.
8. CCT/HUE Button: Short press CCT/HUE button to adjust the CCT/HUE in fixed intervals.

Usage

1. Connection between the Light Fixture and Power Outlet

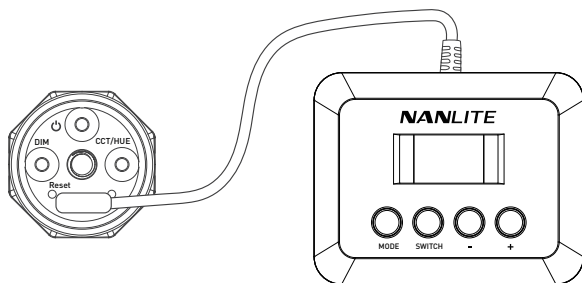
- ① Connecting the fixture with USB cable and USB adapter with output of 5V/2A or above.

(Note: USB adapter is not included.)



- ② Built in battery automatically powers unit once charged and unplugged from a power source.

2. Connection between the Light Fixture and WC-USBC-C1 Wire Controller



The fixture can be controlled by the wire controller in CCT mode, HSI mode, EFFECT mode, PIXEL FX mode, CHANNEL setting, LANGUAGE, DMX mode, DMX PIXEL, WIRELESS PROTOCOL, BLUETOOTH RESET, FIRMWARE UPDATE and VERSION checking (please refer to wire controller user manual for detailed instructions).
(Note: Wire controller is sold separately.)

Remote Control and Control Method by Wire Controller

- PavoTube T8-7X supports DMX and wire controller control, and includes a built-in Bluetooth as well.

▲Address code need to be pre-set for DMX control.

1. Address setting

The address code of the fixture can be set by connecting DMX/RDM console, wire controller or by APP via the transmitter box. (For specific operations, please refer to the relevant manuals.)

2. DMX Remote Control

①Connect the fixture to the DMX/RDM console with a DMX adapter cable.

(1) The connection between the fixture and DMX adapter cable is as follows:



- The connection between the light fixture and DMX/RDM console, light fixture and light fixture should use DMX adapter cable. (DMX adapter cable is not included.)

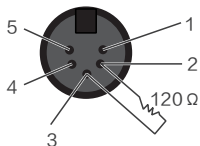
XLR plug/socket and the wire should be connected as shown above.

- Pin1, Pin2, Pin3 for connecting DMX signal. Pin4, Pin5 has no connection.

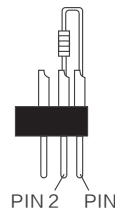
▲NOTE: When connecting DMX, make sure the internal pin is not in contact with the inner case. The fixture can match the DMX512 (1990) control signal.

②DMX Terminator

In DMX control mode, the DMX output of the last fixture should be connected with a DMX terminator (Not included). This prevents interference caused by DMX signals in the transmitting process. The terminator is connected with a 120Ω(OHM) resistor across Pin 2 and Pin 3. (As shown below)



DMX Terminator Connection
 Connect a 120Ω(OHM) resistor
 across Pin 2 and Pin 3 in an XLR
 plug and insert into the
 DMX OUT socket on the last unit.



③Set the channel of the fixture.

④Refer to the DMX reference guide and control the light via DMX/RDM console.




(For detailed operation please refer to the DMX/RDM console operation manual.)

Note: DMX reference guide "PavoTube_T8-7X_DMX_REFERENCE_GUIDE_EN " is downloadable from www.nanlite.com.



Please scan the QR code to check or download the latest DMX reference guide.

Operating Instructions

1. Long press  button to turn on the light.
2. DIM button: Short press DIM button to adjust the intensity in fixed intervals of 0%, 20%, 40%, 60%, 80%, 100%.
When at 100%, press the DIM button, the intensity will reset at 0%.
3.  button: Short press the button to switch modes between CCT and HSI.
4. CCT/HUE button: Short press CCT/HUE to adjust CCT or HUE settings in certain intervals. When reaching to maximum value, it will return to minimum value upon pressing the button again. (When the HUE was adjusted to 360, press the button again it will return to 30.)
CCT: 2700K, 3200K, 4300K, 5600K, 6500K, 7500K.
HUE: 0, 30, 60, 90, 120, 150, 180, 210, 240, 270, 300, 330, 360.
5. Bluetooth Reset: Long press the three buttons at the same time until the fixture has blue twinkle for 3 seconds and reset completes.
6. Long press  to turn off the light.

Safety Precautions

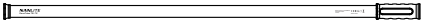


1. Please open the package to check for possible damage. If damaged, do not use. Please contact your dealer or the manufacturer as soon as possible.
2. Please do not use power cable which are faulty or have insulation damage. Please be careful when unplugging and do not drag the power cable.
3. Before installation, please make sure the power supply voltage is correct and compatible with that specified on fixture.
4. Please turn off the power when fixture is not in use or being cleaned.
5. Please operate the fixture safely. Keep fixture away from children.

Notice

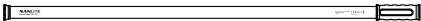



1. When the fixture is turned on, do not look directly at the emitter.
2. Do not place any object on the light fixture or let any liquid flow into the interior.
3. Avoid placing lamps near flammable and volatile substances, such as alcohol or gasoline.
4. When cleaning the fixture, please use soft cloth with neutral detergent to wipe off dirt. Please do not use abrasives or strong detergent.
5. The fixture should be operated safely where it won't be at risk of getting wet or under extreme temperature.
6. Please do not disassemble the fixture or attempt to carry out repairs. Any required maintenance should be carried out by suitably qualified professionals, operating in strict compliance with the instructions described in this manual.

What's in the box? Please kindly check.

PavoTube T8-7X

PavoTube T8-7X×1	USB Type-C Cable×1	User Manual×1
		

PavoTube T8-7X 4KIT

PavoTube T8-7X × 4	USB Type-C Cable×4
	
Carrying Bag×1	User Manual×1
	


General Fault Detection and Diagnosis

Fault Detection	Diagnosis
The fixture won't boot up properly.	<ol style="list-style-type: none"> 1. Please check that the power adapter, cable and outlet are properly connected and that the cable is not faulty or loose. 2. Please check whether the voltage value is within the specified parameters.

This manual and all data within it were produced under controlled conditions, and are accurate at time of print. Any future changes to design/technical data can be found at www.nanlite.com.

Version: V3 2022-01-05

NANLITE

 +86-754-85751187

 +86-754-85300887

 service@nanlite.com

 Zhanglin,324,Dongli Chenghai Shantou Guangdong China

www.nanlite.com