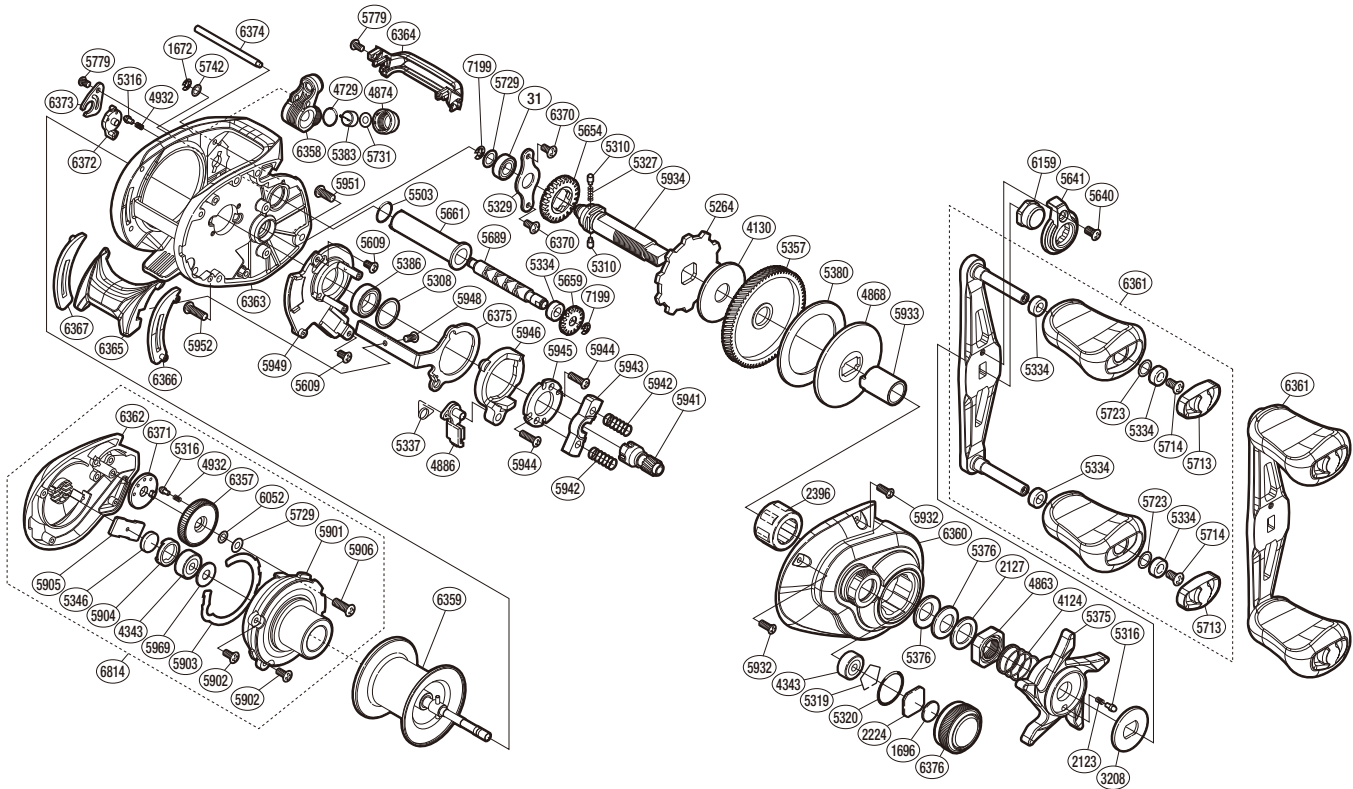


SHIMANO

SLX

SLXDC150XG



(51RL212150X)

#	Part No.	Description	#	Part No.	Description	#	Part No.	Description
0031	105BL	Ball Bearing	5380	10R3D	Drag Washer	5945	100US	Clutch Cam Retainer
1672	105NC	E Lock	5383	10BHQ	Line Guide Pawl	5946	100UK	Clutch Cam
1696	10896	Cast Control Spacer	5386	10EX6	Ball Bearing	5948	10LF4	Screw
2123	10BT2	Click Spring	5503	101GT	O Ring	5949	10DUK	Clutch Guard Assembly
2127	10J1N	Star Drag Spacer	5609	10LCT	Star Drag Spacer	5951	100UU	Screw
2224	1085F	Spool Tension Spacer	5640	101VV	Screw	5952	100UV	Screw
2396	10F5C	Roller Clutch Bearing	5641	10SSK	Handle Nut Plate	5969	10B94	Bearing Seal
3208	10J22	Star Drag Click Plate	5654	101K8	Idle Gear	6052	100MF	Washer
4124	10A70	Star Drag Spring	5659	10SRL	Idle Gear	6159	10E67	Handle Nut
4130	10CHX	Drag Washer	5661	10SSP	Level Wind Guard	6357	10DZU	Brake Dial
4343	105C3	Ball Bearing	5689	10SSS	Worm Shaft	6358	10DZY	Line Guide Assembly
4729	108WQ	O Ring	5713	10SS2	Handle Knob Seal	6359	10DZS	Spool Assembly
4863	10A3T	Star Drag Nut	5714	10LFA	Screw	6360	10DZX	Right Side Plate Assembly
4868	10D3H	Key Washer	5723	1003Z	Washer	6361	10DZT	Handle Assembly
4874	10FJB	Pawl Cap	5729	1003V	Washer	6362	10RKE	Left Side Plate
4886	10MME	Clutch Pawl Assembly	5731	1003S	Spacer	6363	10RJJ	Frame
4932	10GQ3	Click Spring	5742	10S42	Washer	6364	10RK1	Level Wind Protector
5264	10D73	Anti-Reverse Ratchet	5779	1055D	Screw	6365	10RK4	Clutch Button
5308	10190	Washer	5901	10TA4	Left Side Plate Substrate	6366	10RKC	Clutch Bar Guide B
5310	10HJG	Idle Gear Pin	5902	10TBS	Screw	6367	10RK8	Clutch Bar Guide A
5316	10MFC	Click Pin	5903	10T4P	Washer	6370	10E23	Screw
5319	1054D	Bearing Retainer	5904	100Q2	Bearing Retainer	6371	10012	Click Ring
5320	10R22	O Ring	5905	100Q5	Spool Shaft Spacer	6372	10010	Left Side Plate Cam Lever
5327	10JDY	Idle Gear Spring	5906	10LFN	Screw	6373	100BW	Cam Lever Retainer
5329	109T1	Drive Shaft Retainer	5932	10LCY	Screw	6374	10E2G	Stabilizer Bar
5334	10PXZ	Bushing	5933	100UC	Roller Clutch Inner Tube	6375	100C0	Clutch Plate
5337	10R1H	Clutch Pawl Spring	5934	100UP	Drive Shaft	6376	100BX	Cast Control Cap
5346	10EX5	Spacer B	5941	100U7	Pinion Gear	6814	100DN	Left Side Plate Assembly
5357	10R0D	Drive Gear	5942	100U9	Yoke Spring	7199	105NK	E Lock
5375	10R0G	Star Drag	5943	100UH	Yoke			
5376	109F5	Drag Spring Washer	5944	10LV0	Screw			

Please note that the number of adjusting washers may not be the same as shown in the exploded views.
(Adjustment will vary with each individual product.)

(230322)_002