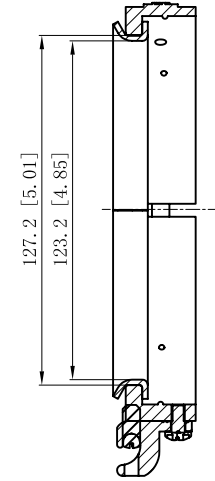
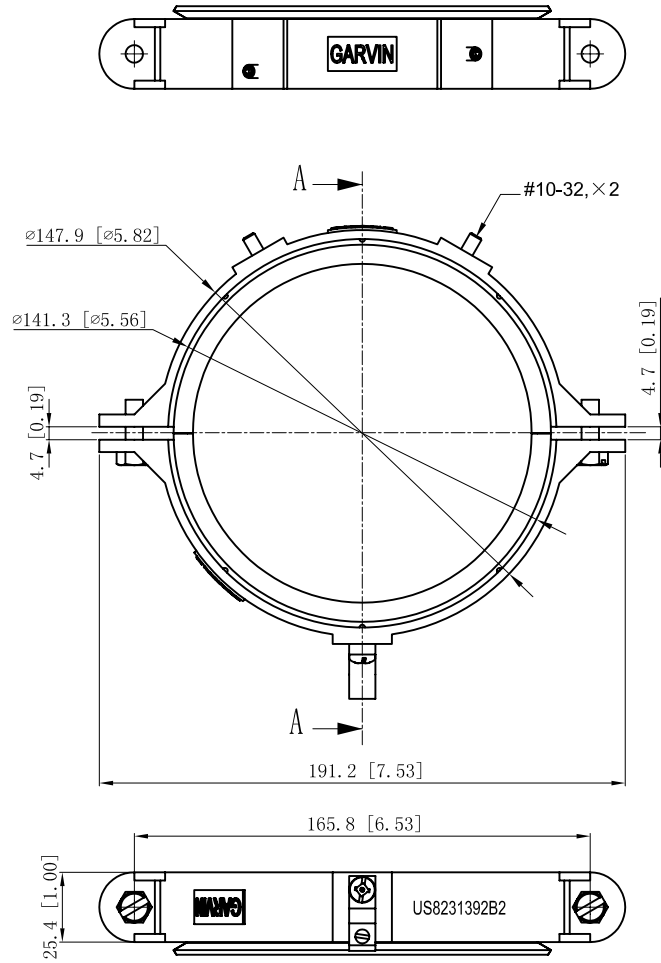
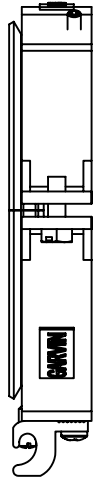
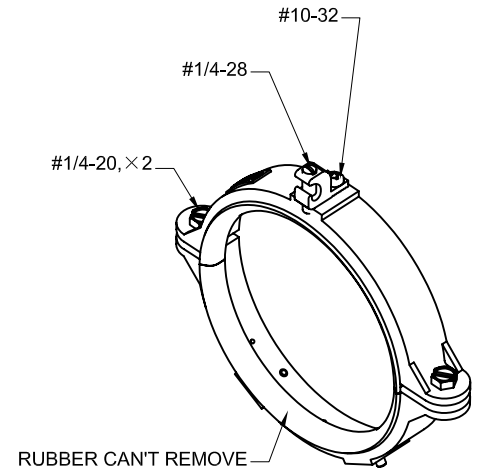


SIDES	BOTTOM
1 PCS 10-32×3/8 Screws Installed	
1 PCS 1/4-28×5/8 Screws Installed	
2 PCS 1/4-20×3/4 Screws Installed	
2 PCS #10-32×1/2 Set Screws Installed	
Material:Zamak-ZAMAK 3	



CUTAWAY VIEW A-A



DESCRIPTION	
Patent Pending: US8231392B2	
TRADE REFERENCE TERMS	

STANDARD PACKING	
10 PCS	

This data sheet is for reference only .GARVIN INDUSTRIES reserves the right to make changes to the design without prior notice.

GARVIN INDUSTRIES		
GROUND CHOKE		
SIZE A4	DWG NO. SGB500	REV
DATA SHEET		