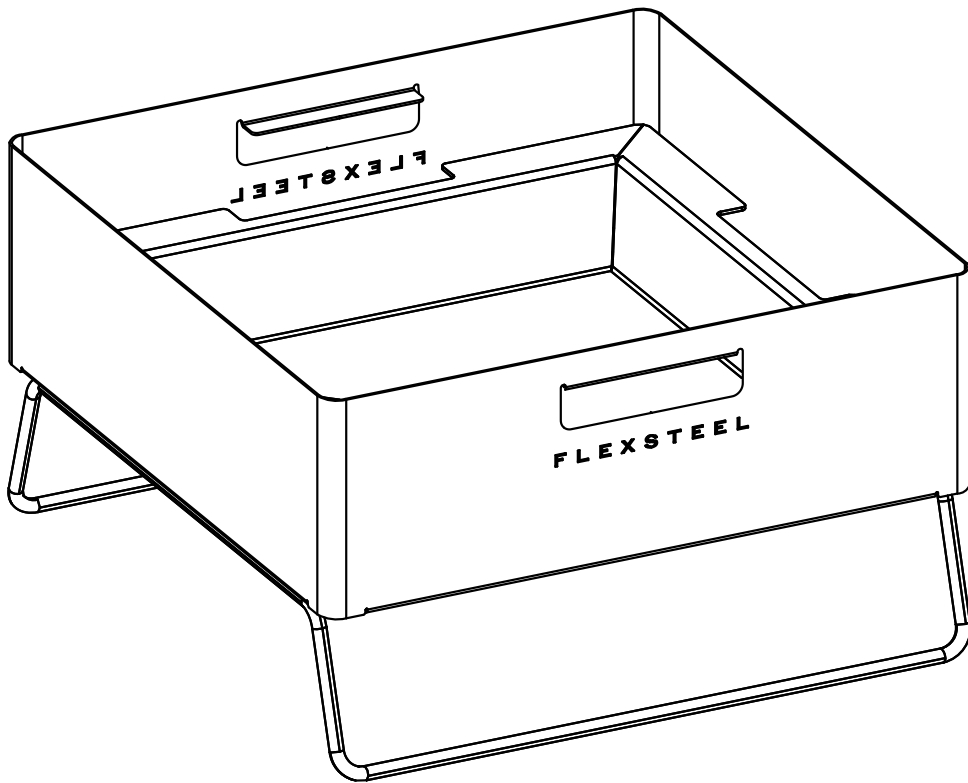


FLEXSTEEL®
OUTDOOR LIVING



G6300-A002

Fire pit

Assembly instructions

Thank you for bringing Flexsteel furniture to your outdoor space.

Below are the step-by-step instructions to assemble your new product. Additionally, we have provided an assembly video that you can access through the QR code on the right.

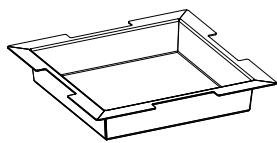
All the parts and tools are included. Let's get started!



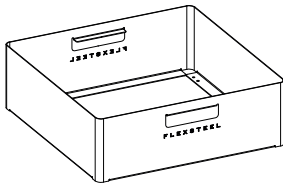
Step 1

Choose a flat and stable surface for assembly.

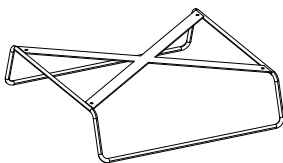
Lay out all the parts to ensure you have everything needed:



1x inner tray



1x outer shell



1x legs



4x screw



4x cap nut



1x flat key size 10



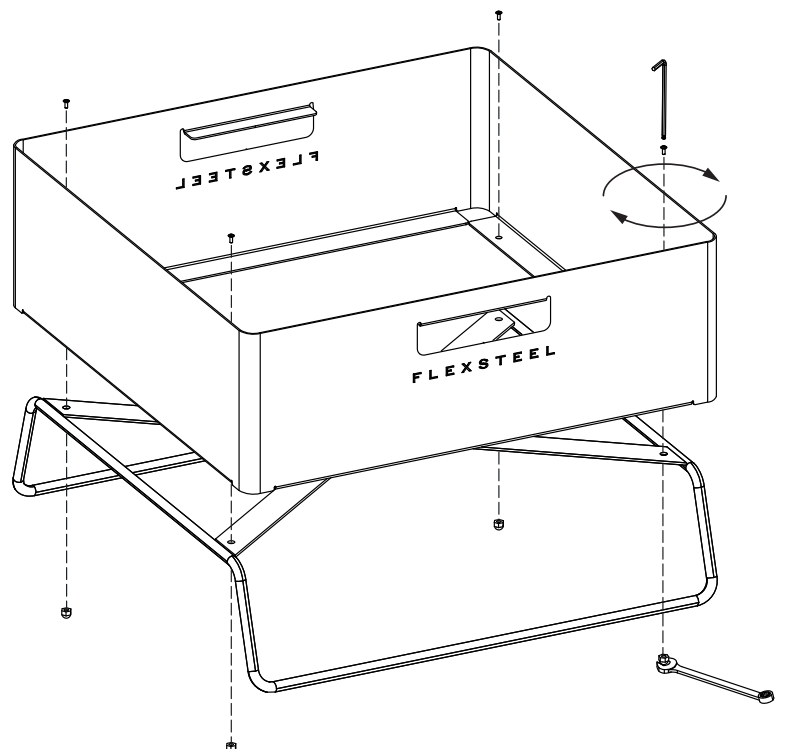
1x hex key with ball ending

Step 2

Identify the attachment points for the legs on the outer shell. Position the legs at these points and align them properly.

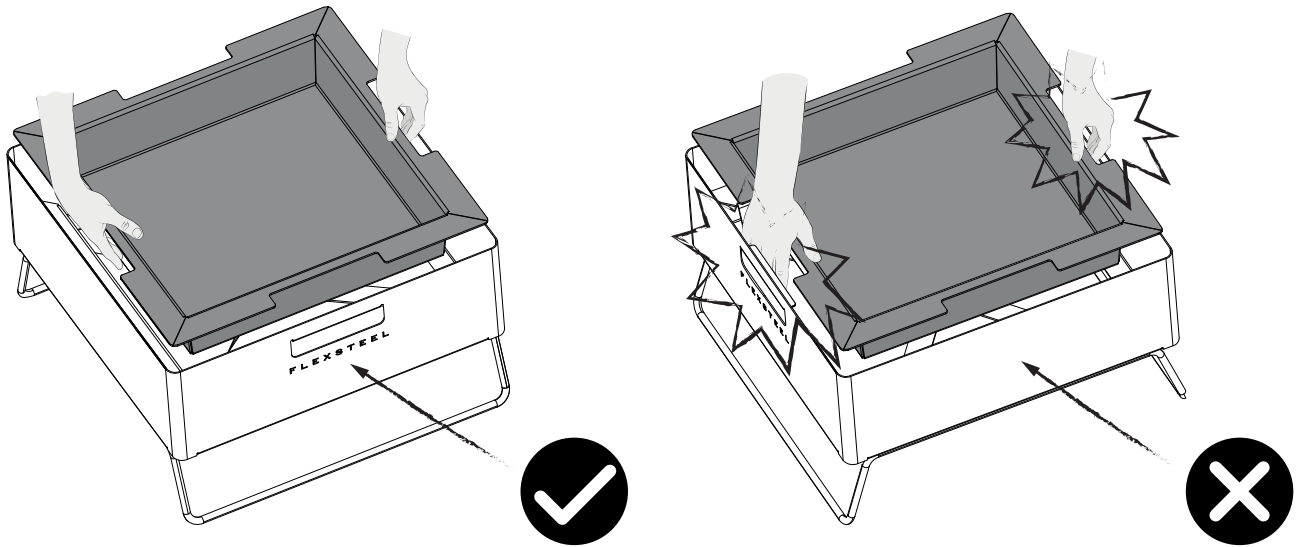
Step 3

Insert four stainless steel screws through the holes in the outer shell into the corresponding holes in the legs. Reach beneath the construction and place cap nuts on the screws. Tighten the screws using a hex key, while simultaneously holding the cap nuts with a flat key, to secure the legs to the outer shell.



Step 4

Place the steel inner tray into the assembled outer shell.



Important Notice: When placing the tray into the outer shell, pay attention to the location of the Flexsteel logo. To avoid the risk of knuckle injury, **position the tray with your hands on the side without the Flexsteel logo.**

Safety guidelines:

- The fire pit is for outdoor use only. Never use the fire pit indoors.
- Never leave your fire burning unattended.
- Prior to use, make sure there are no burn bans and that it's not too windy.
- Never put anything but wood into the fire. Do not cook food in the fire pit.
- Do not touch the fire pit while burning.
- Place the fire pit away from overhanging materials, such as branches.
- Keep the fire pit away from other objects while in use as it may damage them.
- Stack extra wood upwind and away from the fire.
- Always position the fire pit on a fire-resistant surface, such as concrete or fire-rated pavers. Never place it on or near any flammable materials, including but not limited to wooden decks or dry grass.
- Have a fire extinguisher or source of water nearby while using the fire pit in the event that you need to put out the fire quickly. If using a fire extinguisher, familiarize yourself with its operation and ensure it is in good working condition.
- Secure all components. Confirm that the legs of your fire pit are securely attached before attempting to move it.
- Never attempt to move the fire pit while a fire is burning or while hot embers are present.
- Ensure that the fire and embers are completely extinguished before moving the fire pit.
- Before moving the fire pit, double-check for any remaining embers or hot ash. Use a poker to stir the ashes and ensure there are no hidden hot spots.
- Allow sufficient time for fire pit components, especially the outer shell and inner tray, to cool down before moving the fire pit. Use heat-resistant gloves to protect your hands from residual heat. Even if the fire is out, certain components may still be warm.

By adhering to these safety guidelines, you can help prevent accidents and ensure a secure and enjoyable experience with your fire pit. Always prioritize safety and exercise caution when dealing with open flames and hot surfaces.

Maintenance tips for steel components:

Powder-Coated Steel (Legs)

- Periodically inspect the powder-coated steel legs for any signs of damage or wear in the coating. If scratches or chips are observed, touch up the affected areas with a matching powder coating or an appropriate protective sealant to prevent further corrosion.
- When repositioning or moving the fire pit, always lift it rather than dragging it on the floor. Dragging may cause abrasions and scratches on the powder-coated surface.

Stainless Steel (Outer Shell and Fittings)

- Stainless steel is relatively low-maintenance, but routine cleaning can help maintain its appearance. Wipe down the outer shell and fittings with a mild stainless steel cleaner to remove any dirt or stains. This can also help to prevent surface corrosion.

Black Steel (Inner Tray)

- Recognize that the black steel tray may develop a patina or surface rust over time due to exposure to the elements. This is a natural occurrence and does not compromise the functionality of the fire pit.
- Inspect the four small drainage holes located in the tray. Ensure they are clear of any debris, ashes, or other obstructions. Check the drainage holes regularly, especially if the fire pit is exposed to the elements. This is particularly important during heavy rains or when the fire pit is not in use for an extended period.

F L E X S T E E L[®]

CUSTOMER SERVICE

Call toll-free: 1-888-415-3979

Monday-Friday | 8:00 a.m.-5:00 p.m. (Central Time)

(Phone number is not valid in Mexico; toll-free in the U.S.A and Canada only)

Email: customersolutions@flexsteel.com