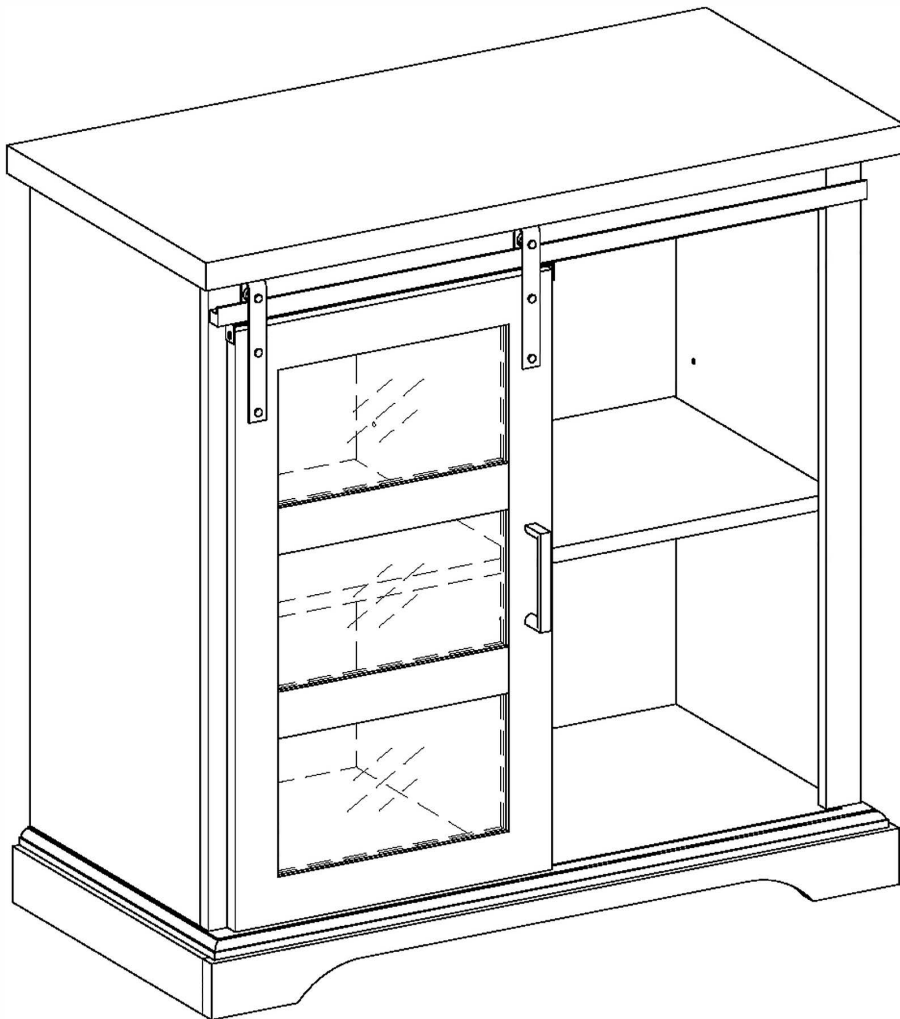


Item # : AF32ALGD

Assembly Instructions



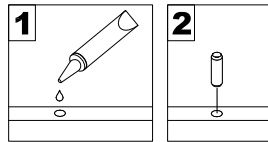
Walker Edison®

Please visit our website for the most current instructions, assembly tips, report damage, or request parts. www.walkerediton.com

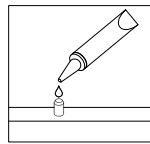
Revised 04/10/2018

General Assembly Guidelines

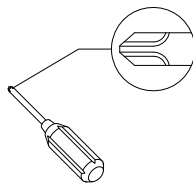
- I. Ensure that all parts and hardware are available before beginning assembly.
- II. Follow each step carefully to ensure the proper assembly of this product.
- III. Two people are recommended for ease in the assembly of this product.
- IV. The three main types of hardware used to assemble this product are : wood dowels , screws and bolts.
- V. The provided glue is to secure wood dowels in place . When first inserting dowels , locate the appropriate hole for the dowel , place a small amount of glue in the hole and insert the dowel . Wipe away excess glue immediately.



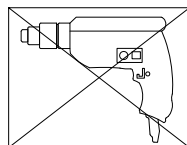
In future assembly steps when dowels are necessary to attach assembly parts together , place a small amount of glue on the end of the dowel before attaching parts together . Wipe away excess glue immediately.



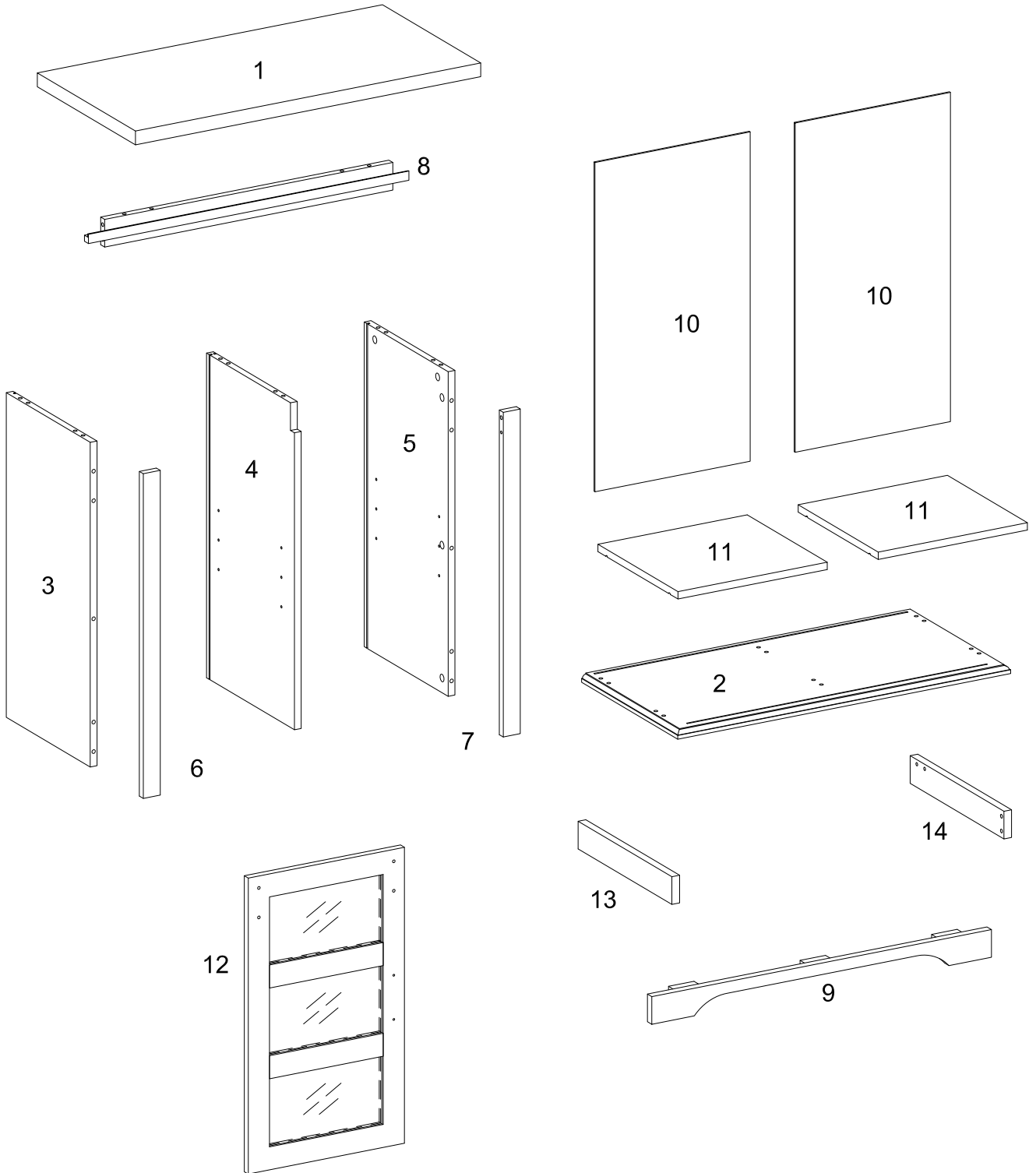
- VI. A Phillips head screwdriver is required for the assembly of this product .








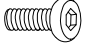






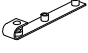
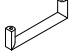


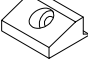
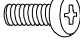

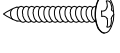


- VII. Power tools should not be used to assemble this product .

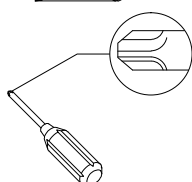


Parts List



Hardware List

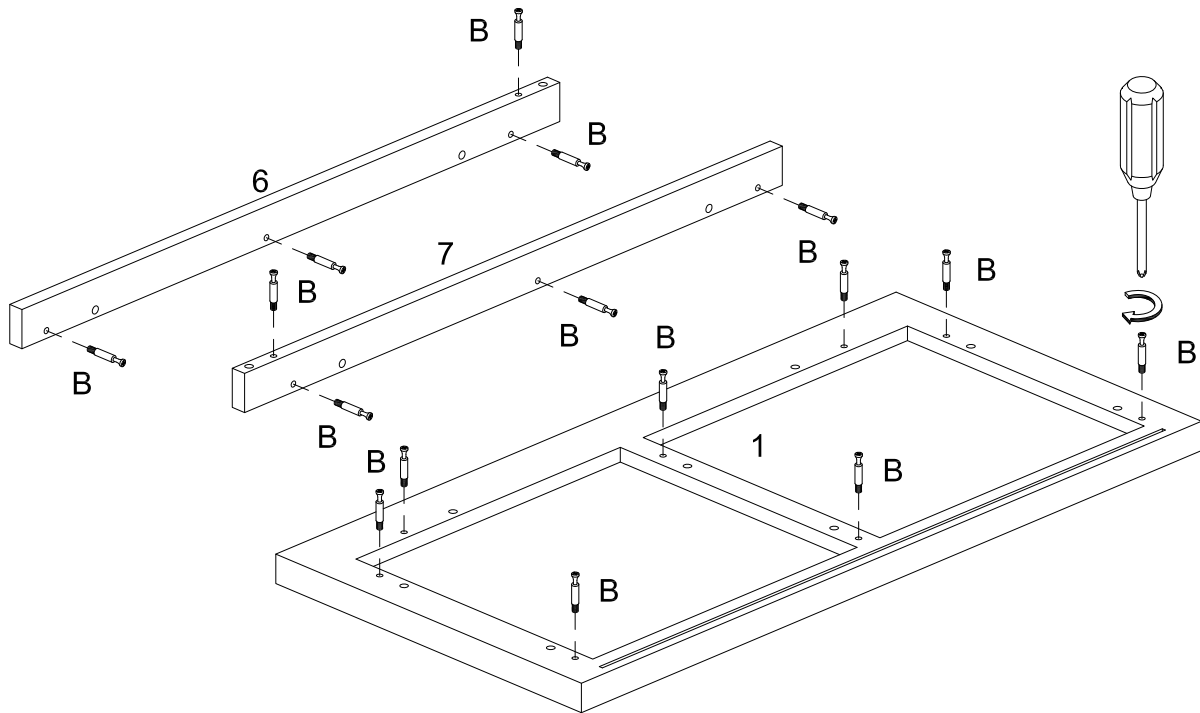
A		Ø8x30mm	Wooden dowel	20 pcs
B		Ø6x35mm	Cam bolt	16 pcs
C		Ø15x11mm	Cam lock	16 pcs
D		Ø30mm	Sticker	16 pcs
E			L shape bracket	2 pcs
F		Ø6x12mm	Bolt	14 pcs
G		Ø6x50mm	Shoulder Screw	6 pcs
H		M 4	Hex Key	1 pc
J			Plastic wedge	7 pcs
K		Ø8x5x16mm	Shelf support pin	8 pcs
L		Ø4x12mm	Screw	7 pcs
M			Door Guide	2 pcs
N			Pulley	2 pcs
P			Handle	1 pc
Q		Ø4x22mm	Handle Bolt	2 pcs
R		Ø3x17mm	Screw	8 pcs
S			Plastic wedge	8 pcs
T		Ø6x12mm	Bolt	4 pcs
U			Plastic strap	1 pc
V		Ø4x35mm	Screw	1 pc
W			Nut	1 pc
X			Glue tube	1 pc



Philips head screwdriver required for assembly
(not included)

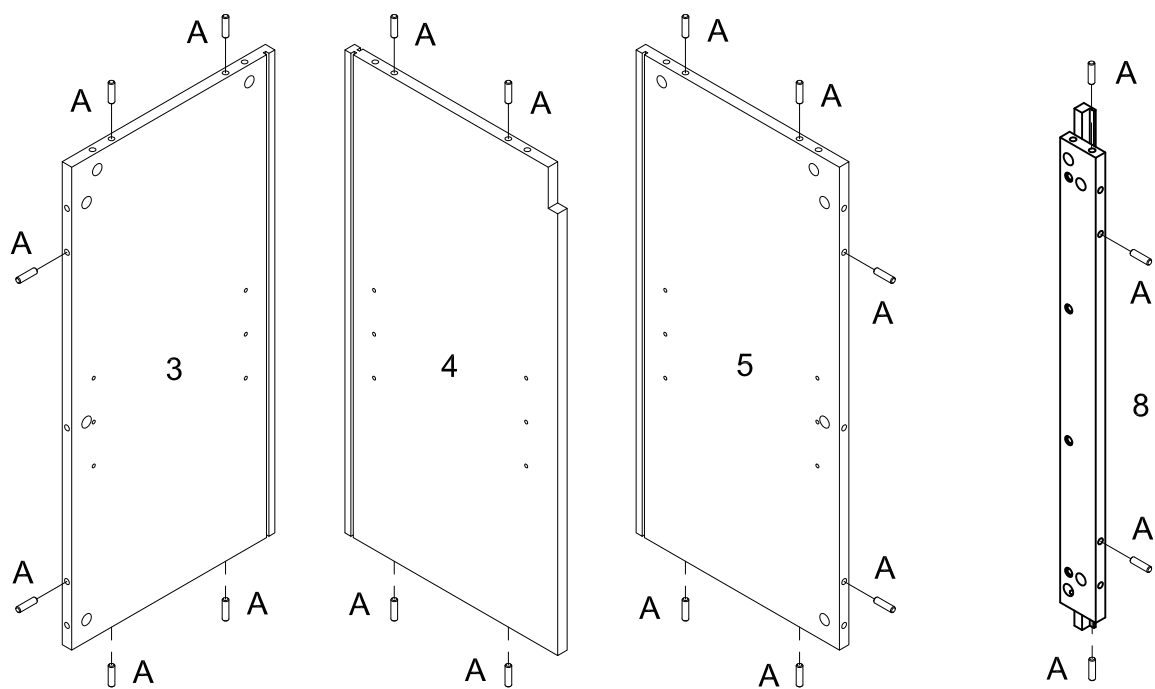
*The hardware quantities listed above are required for proper assembly.
Some extra hardware may also have been included.*

Step 1



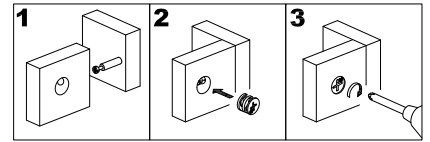
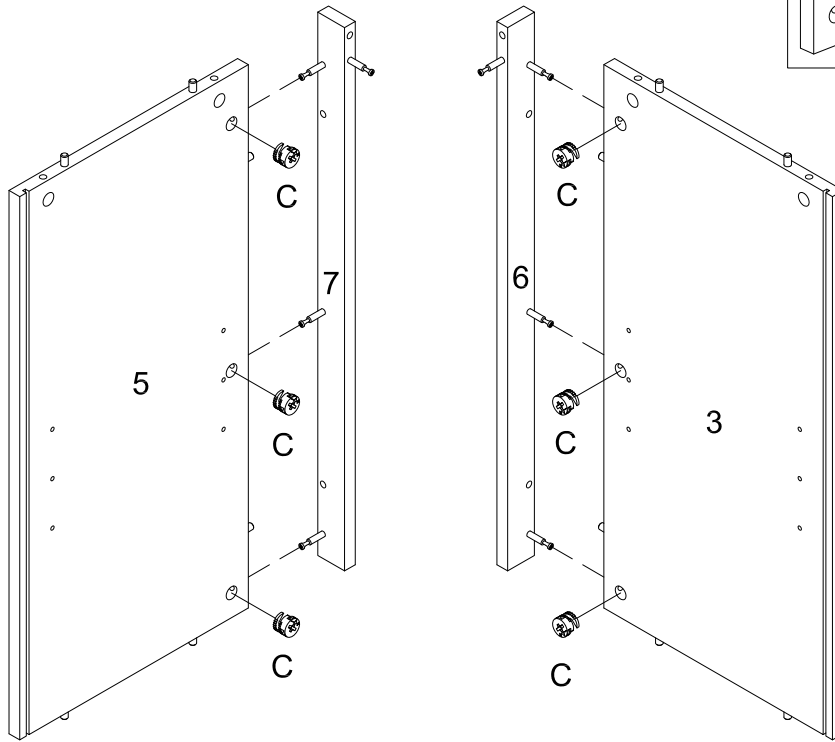
Attach cam bolt (B) to part (6,7,1) with screwdriver.

Step 2



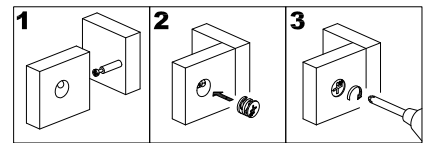
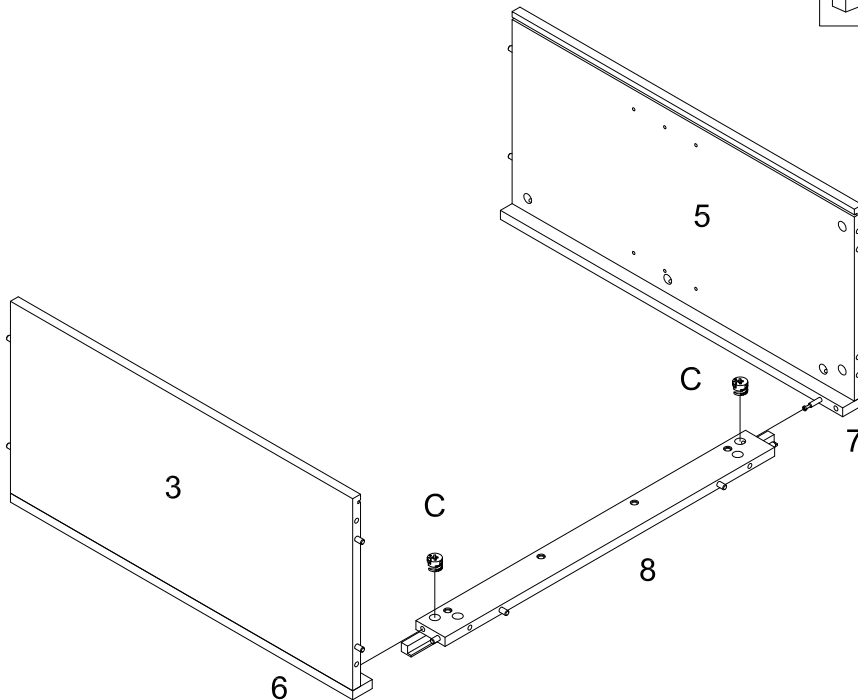
Insert wooden dowel (A) into part (3,4,5,8).

Step 3



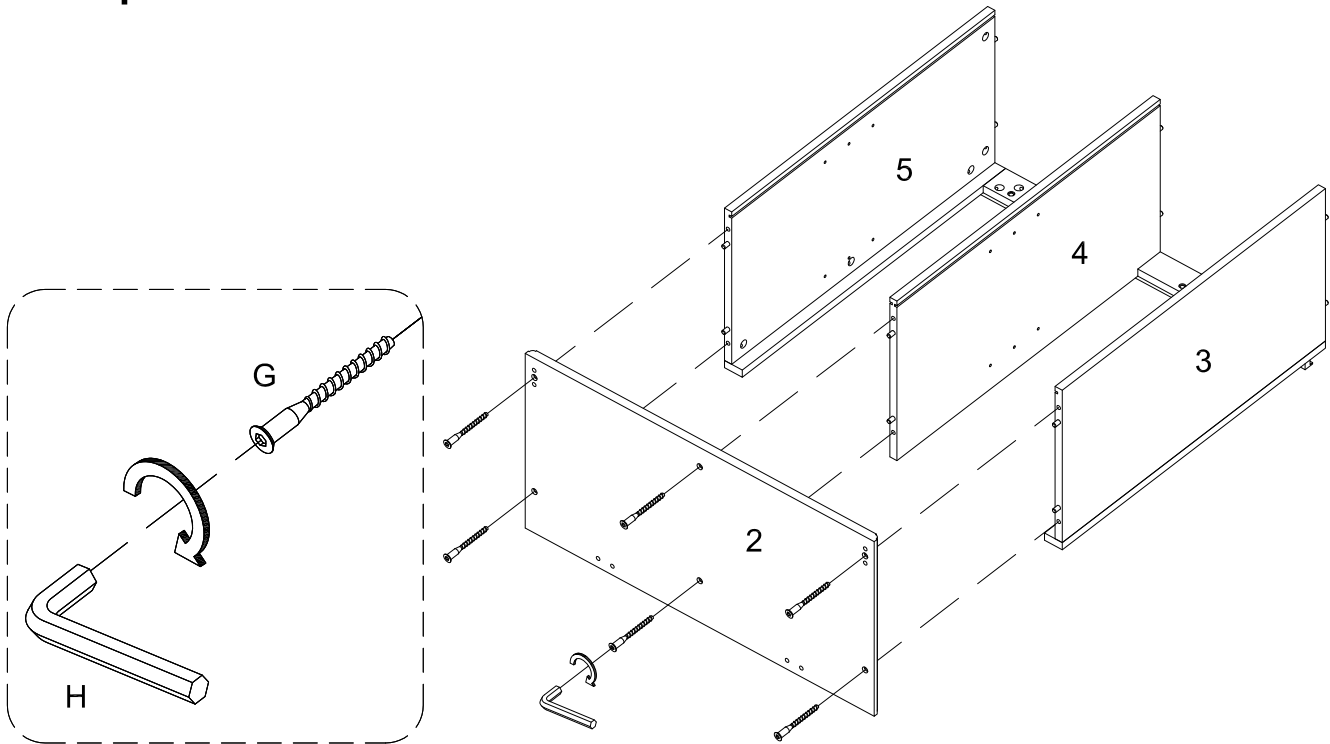
Attach part (5,3) to part (7,6), then insert and secure cam lock (C) to part (5,3) to lock it.

Step 4



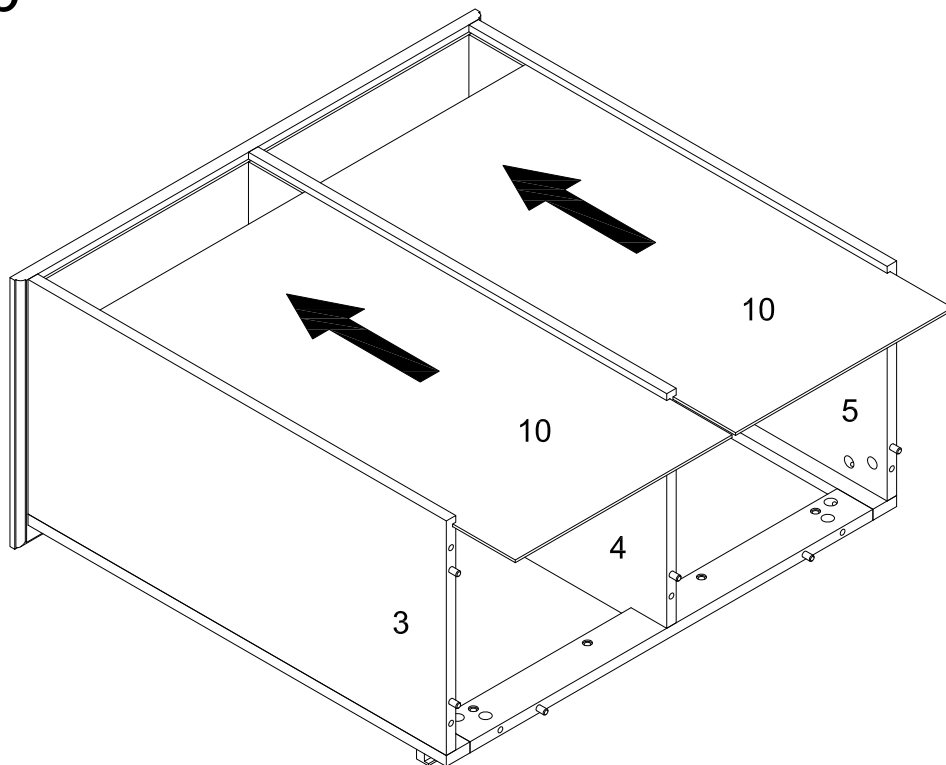
Attach part (3,6,5,7) to part (8), then insert and secure cam lock(C) to part (8) to lock

Step 5



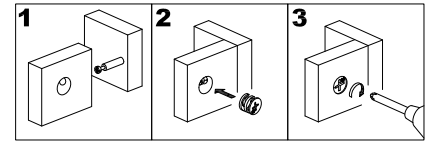
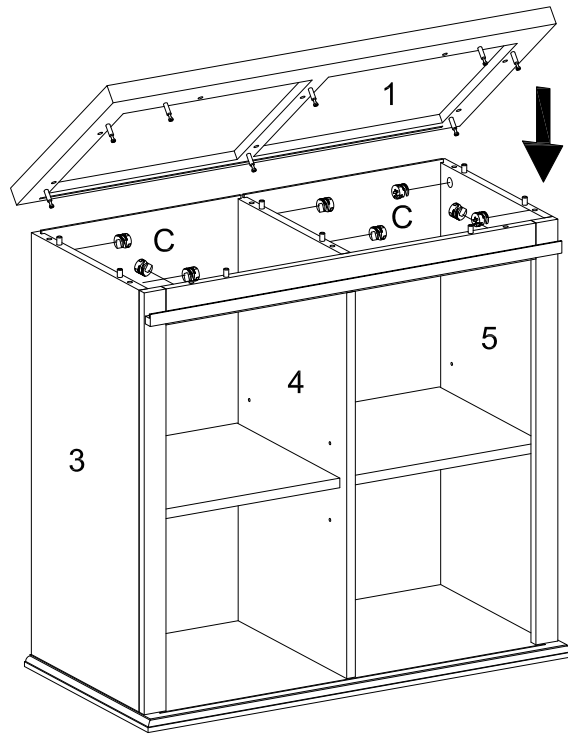
Attach part (2) to part (3,4,5) using screw (G) with hex key (H).
Note: Groove for back panel should be aligned.

Step 6



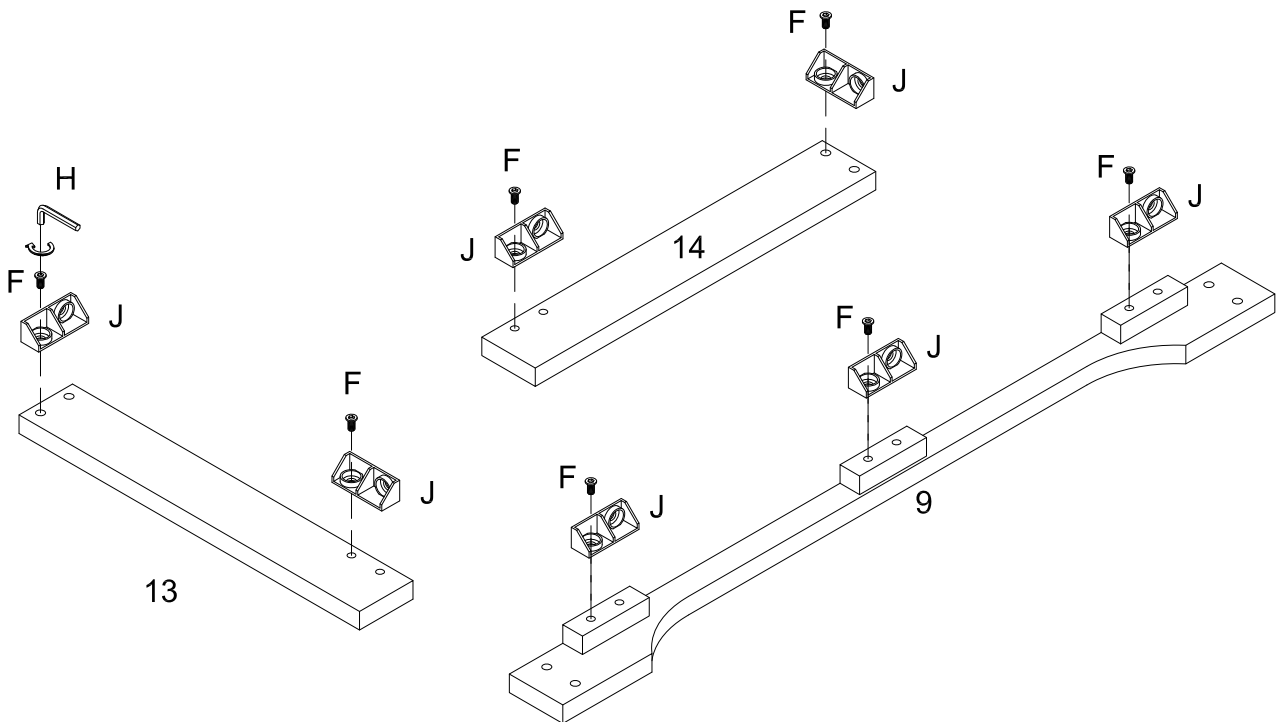
Slide back panel (10) into grooves as per diagram.

Step 7



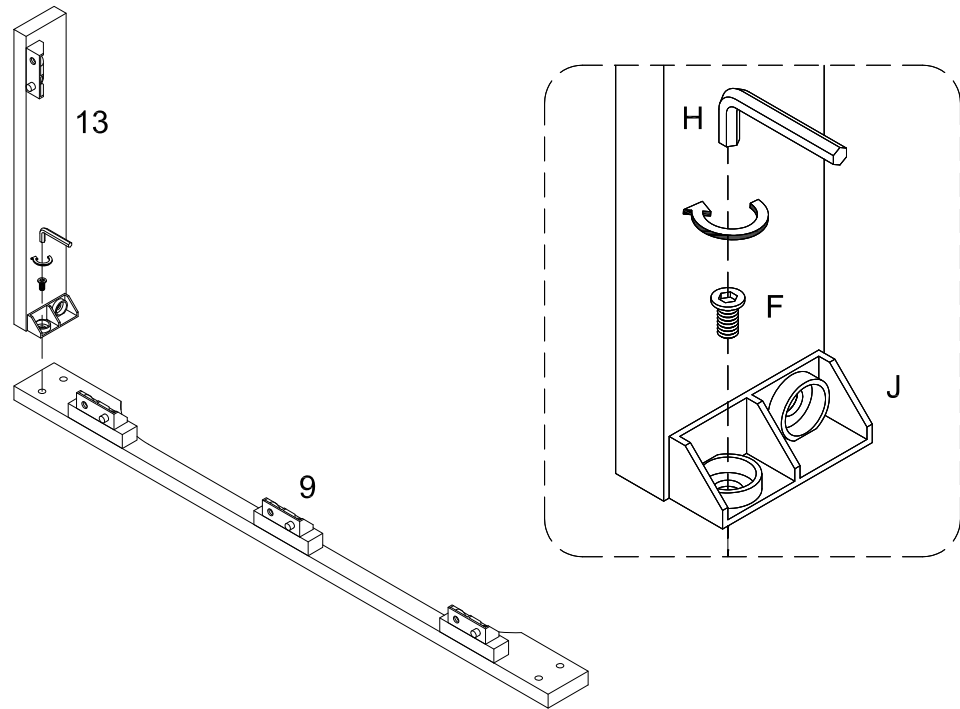
Attach part (1) to part (3,4,5), then insert and secure cam lock (C) in part (3,4,5,8) to lock it.

Step 8



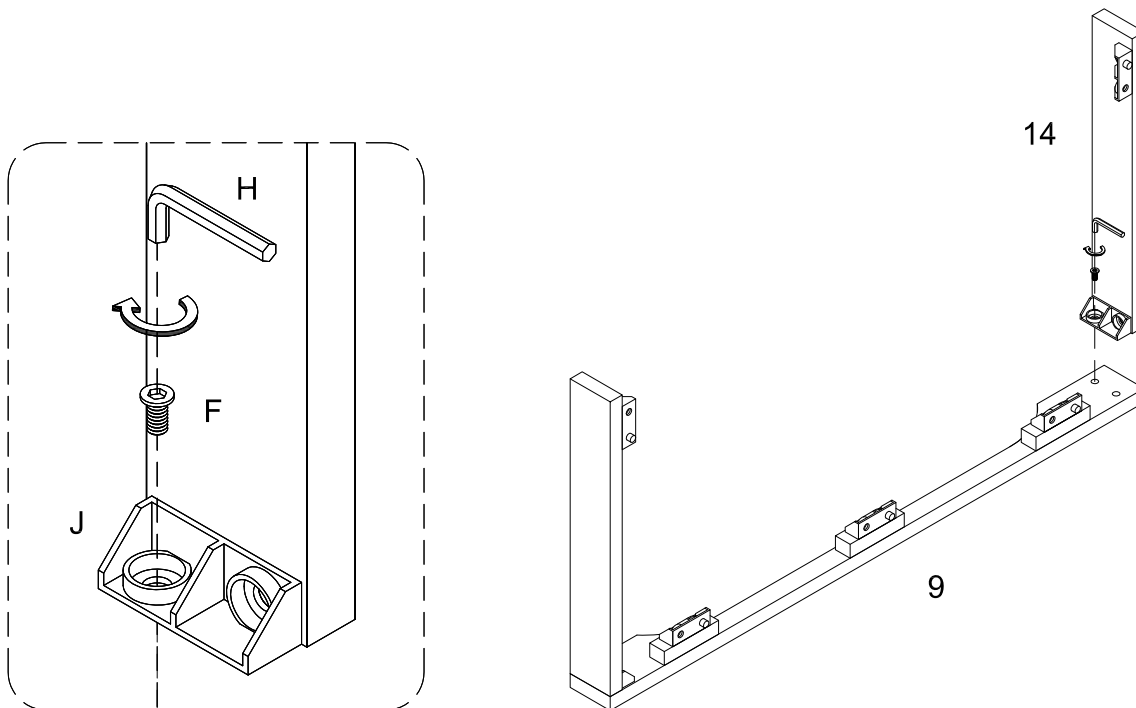
Attach plastic wedge (J) to part (13,14,9) using screw (F) with Hex key (H).

Step 9



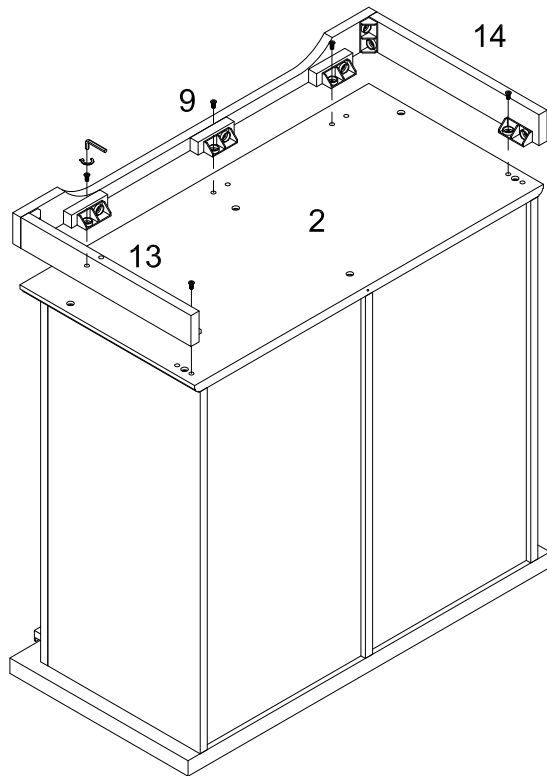
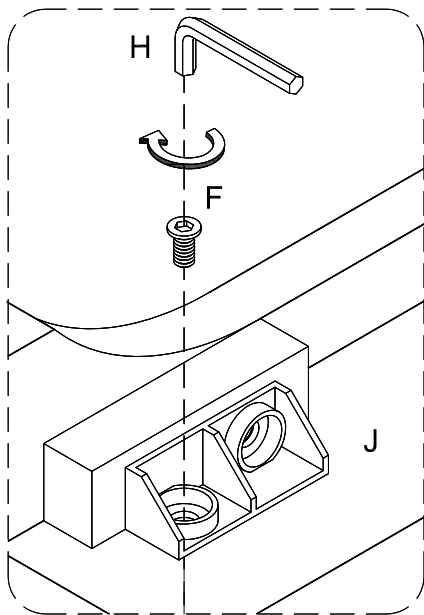
Attach plastic wedge (J) to part (9) using bolt (F) with Hex key (H).

Step 10



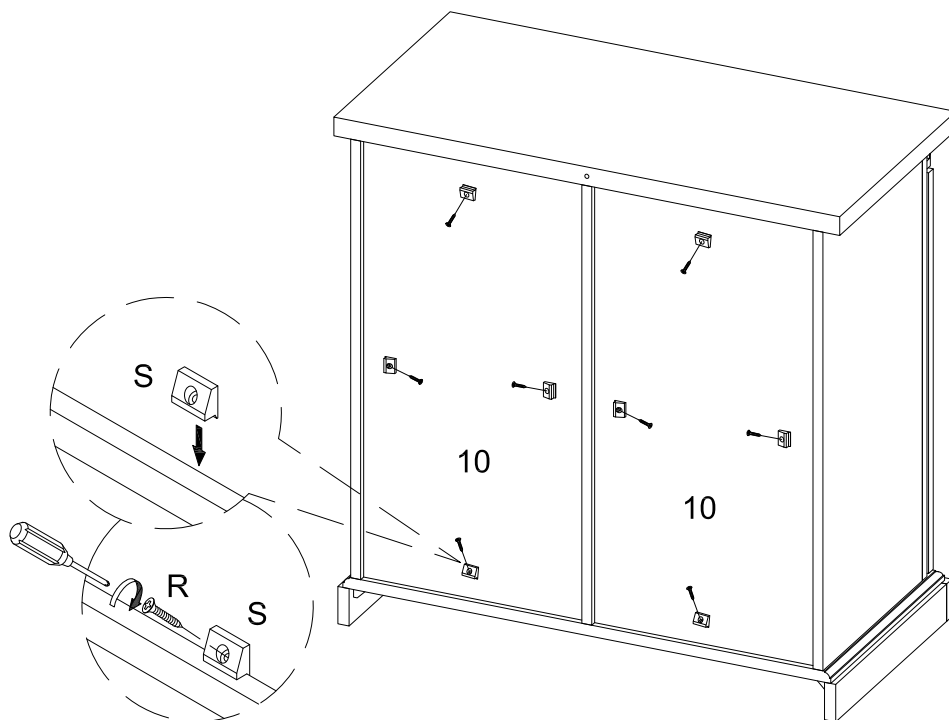
Attach plastic wedge (J) to part (9) using bolt (F) with Hex key (H).

Step 11



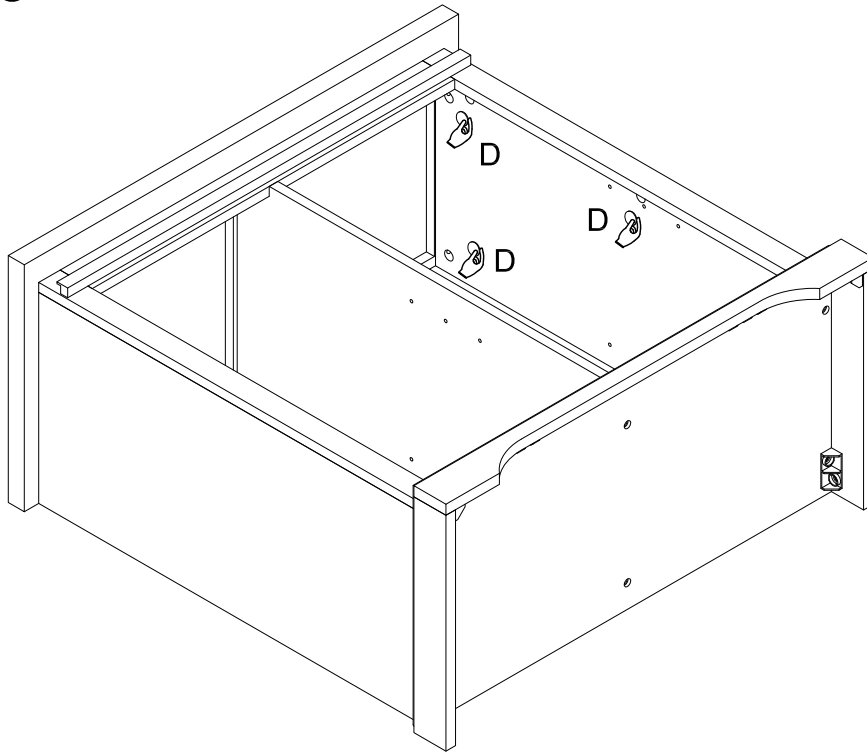
Attach part (9,14,13)to part (2) using plastic wedge(J) bolt (F) with hex key (H).

Step 12



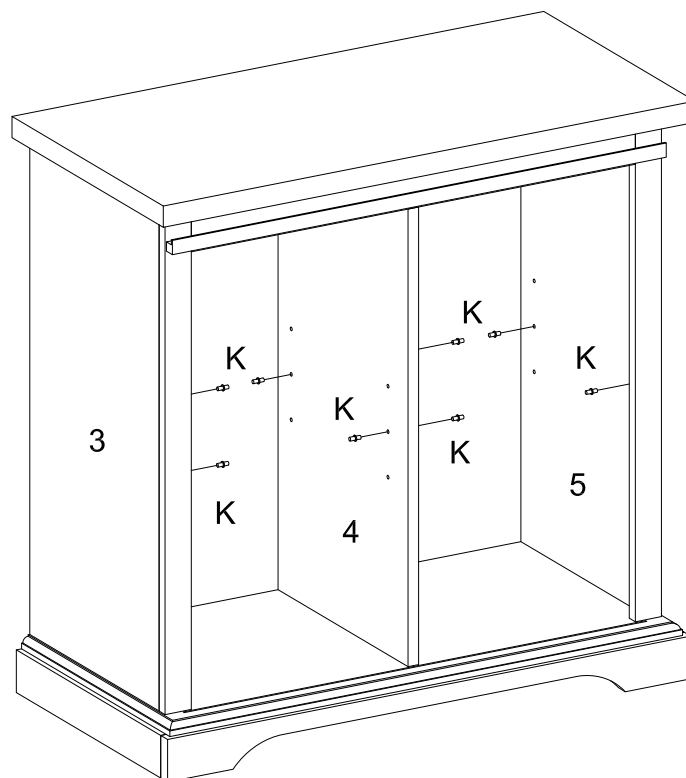
Attach plastic wedge (S) to part (10) using screw (R) with screwdriver.

Step 13



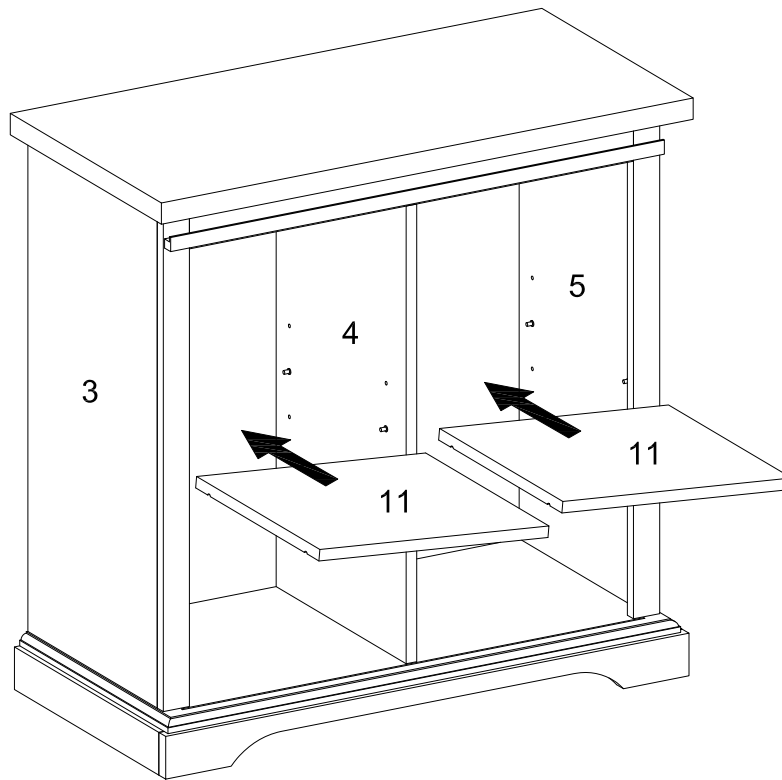
Place sticker (D) over holes as per diagram.

Step 14



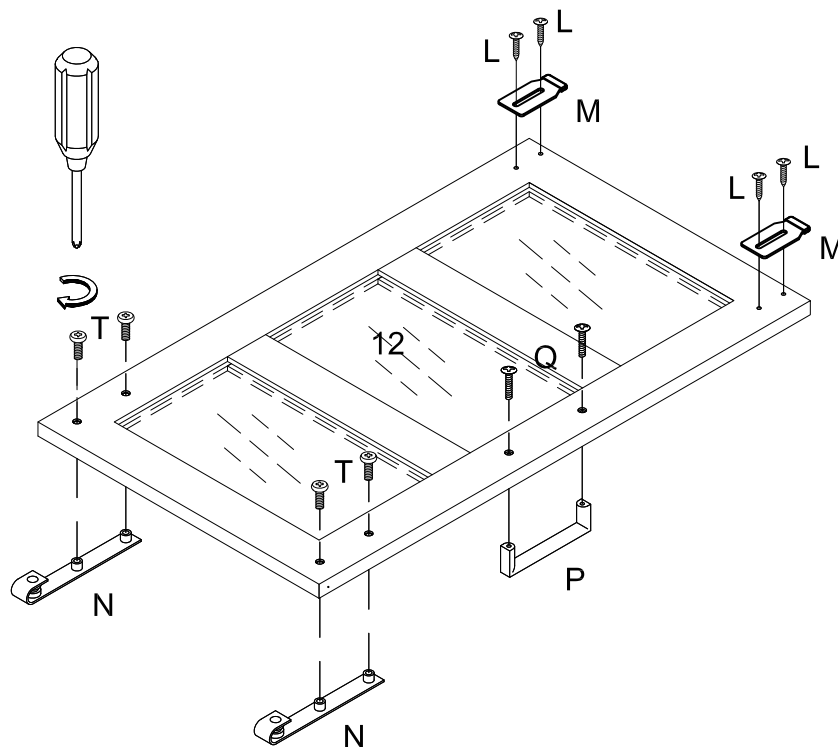
Insert shelf support pin (K) into part (3,4,5).

Step 15



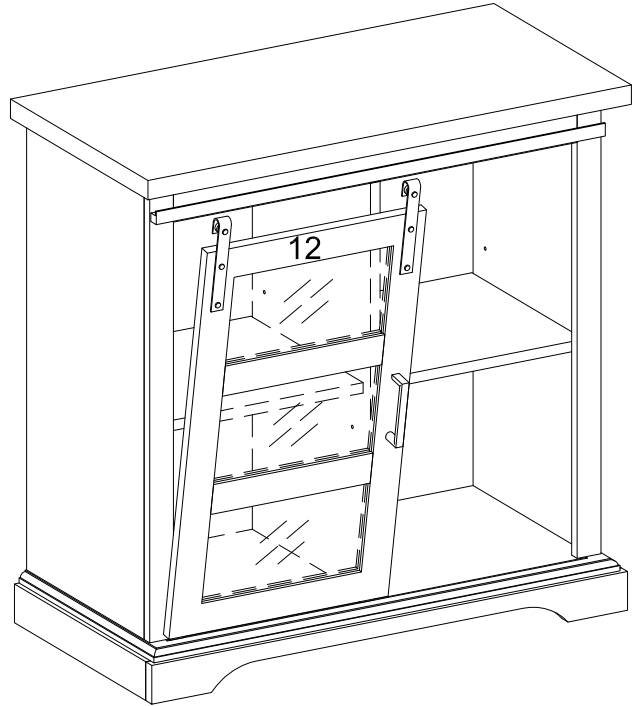
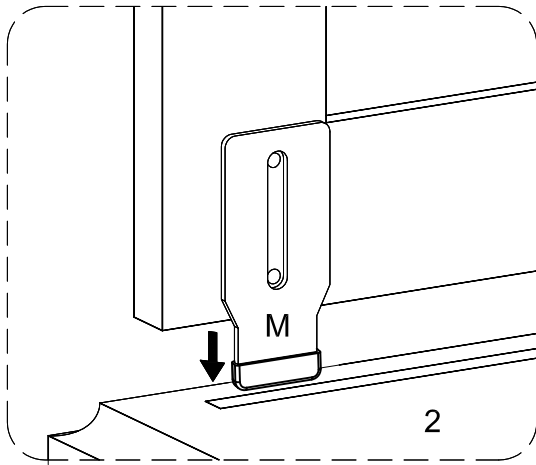
Place shelf (11) on top of support pin.

Step 16



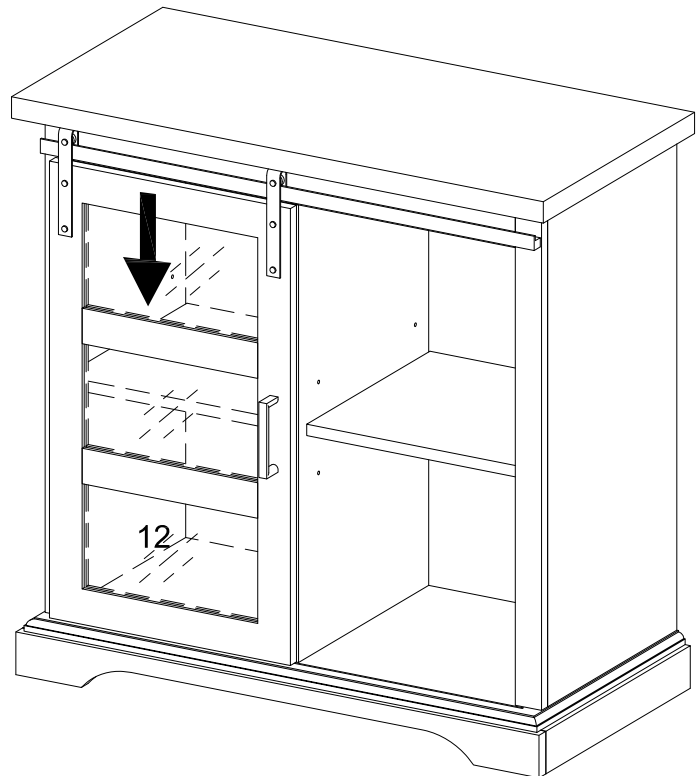
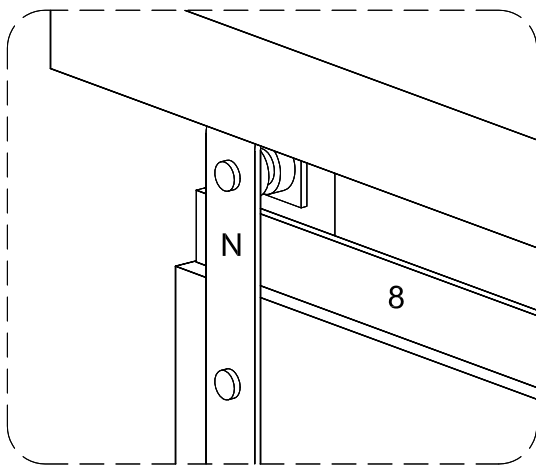
Attach pulley (N) using bolt (T), and door guide (M) using screw (L) to part (12) with screwdriver.

Step 17



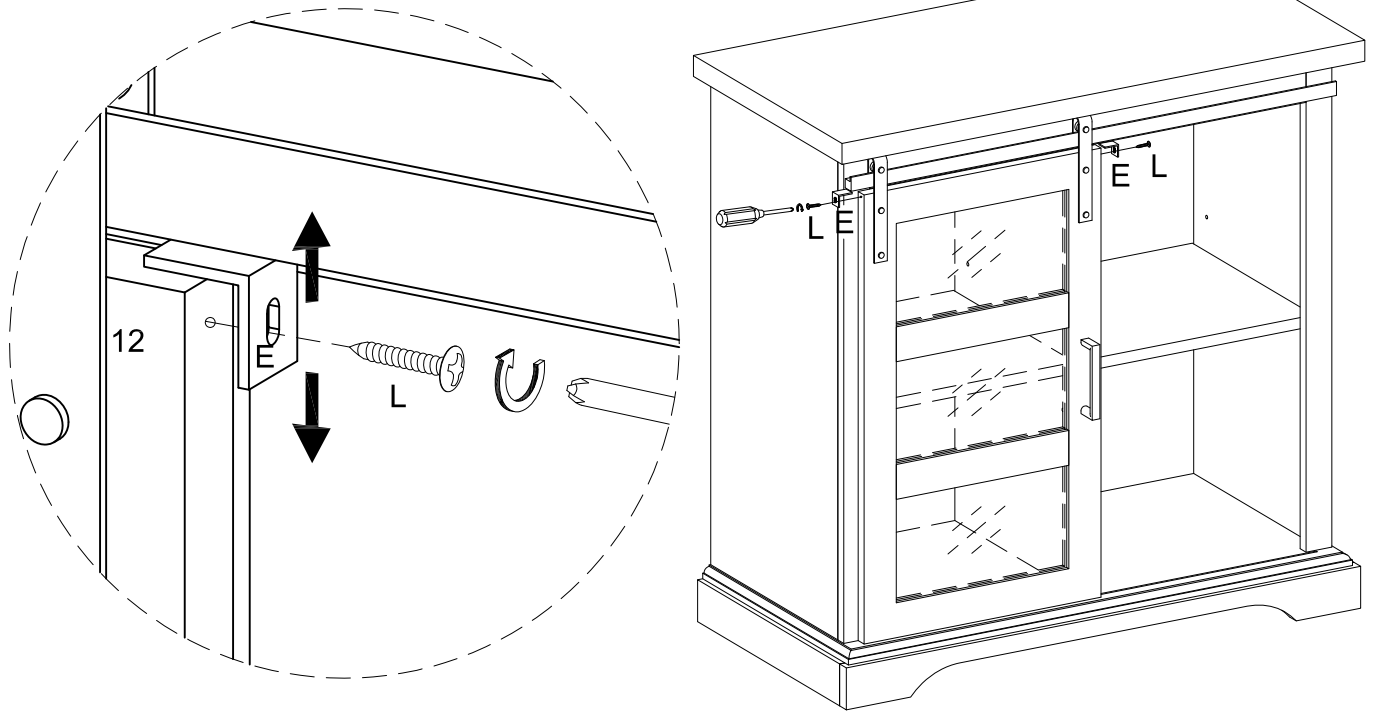
Place door guide (M) on door into groove.

Step 18



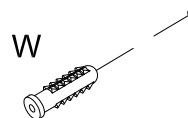
Hang pulley (N) to part (8), then press down to hold the door

Step 19



Use Screwdriver to secure Screw (L) to the L Shape Bracket (E) attach to the Part (12).

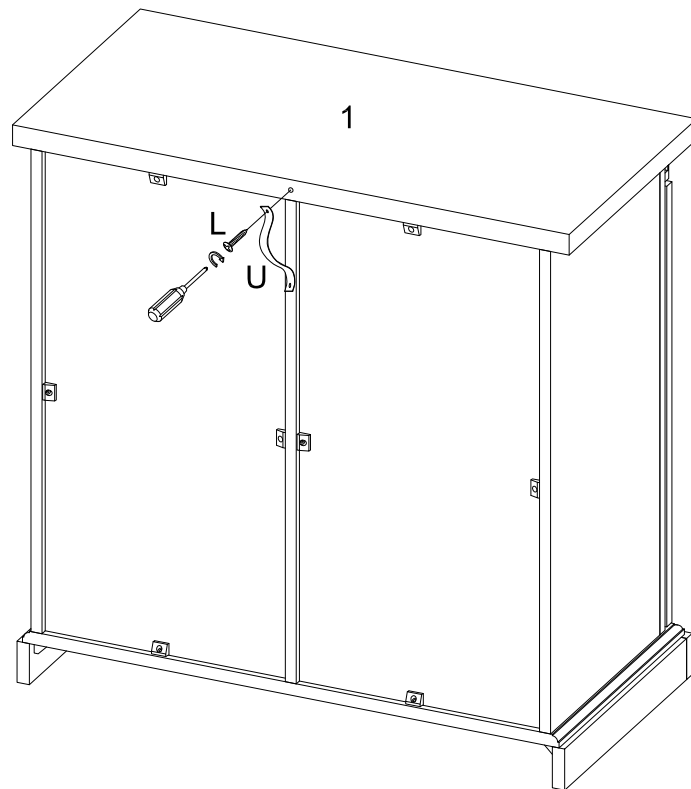
Step 20



Wall

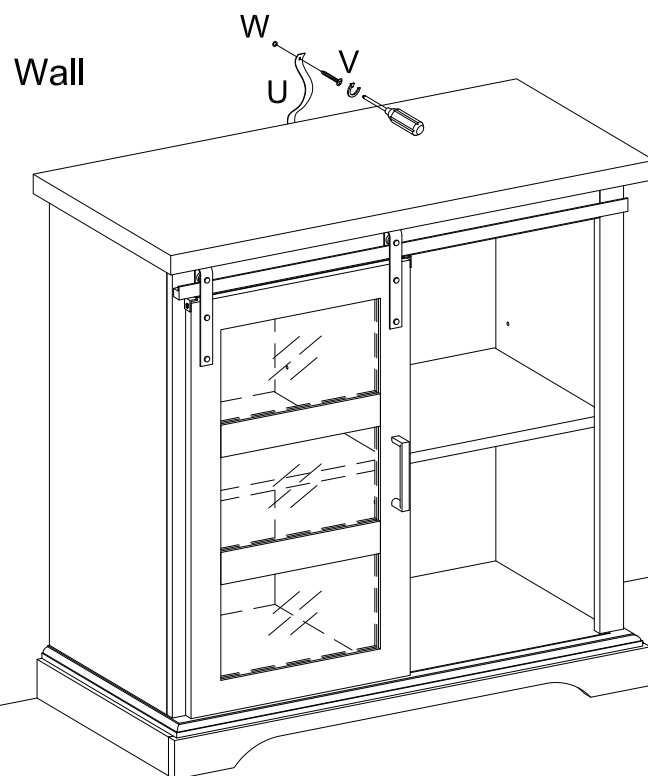
Insert Nut (W) into the wall

Step 21



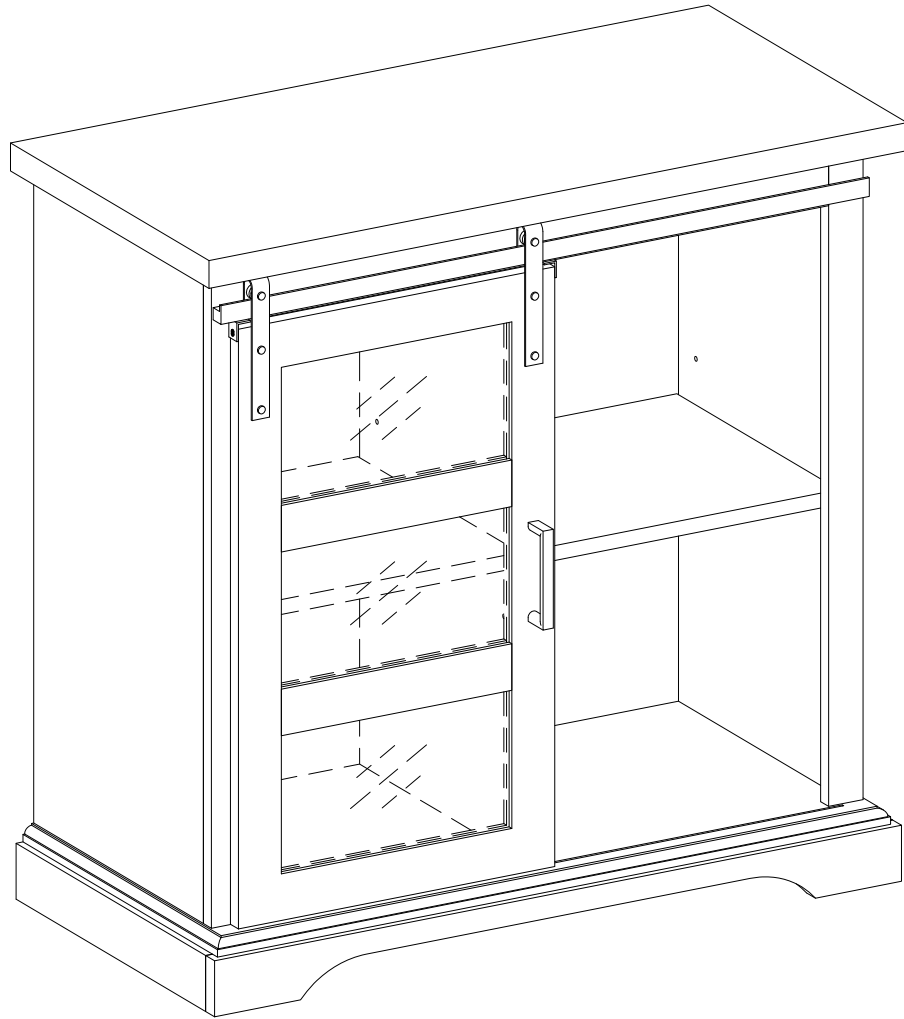
Using screwdriver to secure screw (L) with the plastic strap (U)

Step 22



Secure product to wall with screw (V), through Plastic strap(U) by using screwdriver

Step 23



Final Assembly