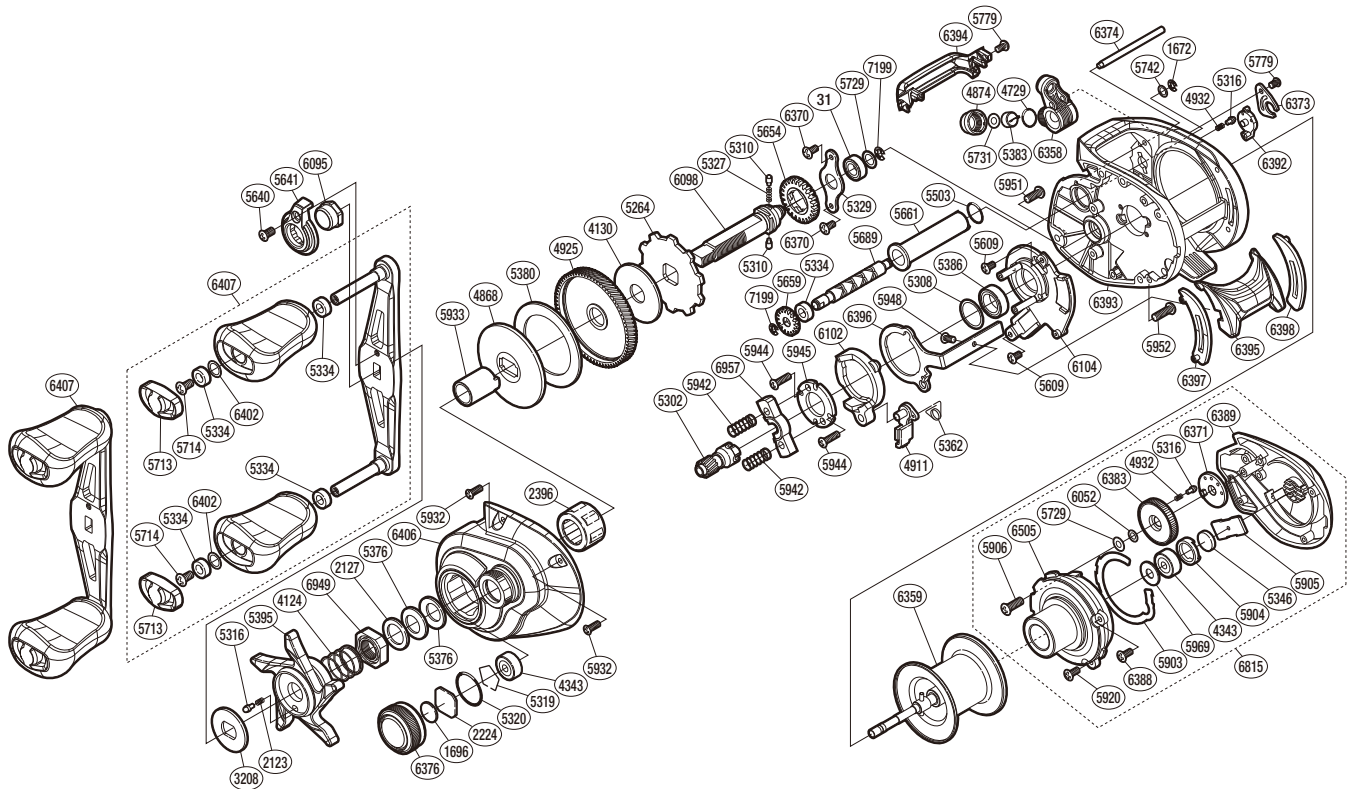


# SHIMANO

## SLX

## SLXDC151HG



(51RL211151X)

#	Part No.	Description	#	Part No.	Description	#	Part No.	Description
0031	105BL	Ball Bearing	5383	10BHQ	Line Guide Pawl	6052	100MF	Washer
1672	105NC	E Lock	5386	10EX6	Ball Bearing	6095	10049	Handle Nut
1696	10896	Cast Control Spacer	5395	10R0H	Star Drag	6098	100VZ	Drive Shaft
2123	10BT2	Click Spring	5503	101GT	O Ring	6102	100W0	Clutch Cam
2127	10J1N	Star Drag Spacer	5609	10LCT	Screw	6104	10DJ8	Clutch Guard Assembly
2224	1085F	Spool Tension Spacer	5640	101VV	Screw	6358	10DZY	Line Guide Assembly
2396	10F5C	Roller Clutch Bearing	5641	10SSK	Handle Nut Plate	6359	10DZS	Spool Assembly
3208	10J22	Star Drag Click Plate	5654	101K8	Idle Gear	6370	10E23	Screw
4124	10A70	Star Drag Spring	5659	10SRL	Idle Gear	6371	10012	Click Ring
4130	10CHX	Drag Washer	5661	10SSP	Level Wind Guard	6373	100BW	Cam Lever Retainer
4343	105C3	Ball Bearing	5689	10SSS	Worm Shaft	6374	10E2G	Stabilizer Bar
4729	108WQ	O Ring	5713	10SS2	Handle Knob Seal	6376	100BX	Cast Control Cap
4868	10D3H	Key Washer	5714	10LFA	Screw	6383	10SDT	Brake Dial
4874	10FJB	Pawl Cap	5729	1003V	Washer	6388	100WT	Screw
4911	10MQM	Clutch Pawl Assembly	5731	1003S	Spacer	6389	100KY	Right Side Plate
4925	10CME	Drive Gear	5742	10S42	Washer	6392	100R9	Right Side Plate Cam Lever
4932	10GQZ	Click Spring	5779	1055D	Screw	6393	10TC5	Frame
5264	10D73	Anti-Reverse Ratchet	5903	10T4P	Washer	6394	10TBZ	Level Wind Protector
5302	10CSD	Pinion Gear	5904	100Q2	Bearing Retainer	6395	10TC6	Clutch Button
5308	10190	Washer	5905	100Q5	Spool Shaft Spacer	6396	10TC7	Clutch Plate
5310	10HJG	Idle Gear Pin	5906	10LFN	Screw	6397	100RH	Clutch Bar Guide B
5316	10MFC	Click Pin	5920	100QC	Screw	6398	100QX	Clutch Bar Guide A
5319	1054D	Bearing Retainer	5932	10LCY	Screw	6402	10SDH	Washer
5320	10R22	O Ring	5933	100UC	Roller Clutch Inner Tube	6406	10SDV	Left Side Plate Assembly
5327	10JDY	Idle Gear Spring	5942	100U9	Yoke Spring	6407	10SPA	Handle Assembly
5329	109T1	Drive Shaft Retainer	5944	10LV0	Screw	6505	10SX1	B Side Plate Substrate
5334	10PXZ	Bushing	5945	100US	Clutch Cam Retainer	6815	100E2	Right Side Plate Assembly
5346	10EX5	Spacer B	5948	10LF4	Screw	6949	10A3U	Star Drag Nut
5362	10TMC	Clutch Pawl Spring	5951	100UU	Screw	6957	1001Q	Yoke
5376	109F5	Drag Spring Washer	5952	100UV	Screw	7199	105NK	E Lock
5380	10R3D	Drag Washer	5969	10B94	Bearing Seal			

Please note that the number of adjusting washers may not be the same as shown in the exploded views.  
(Adjustment will vary with each individual product.)

(230626)\_003