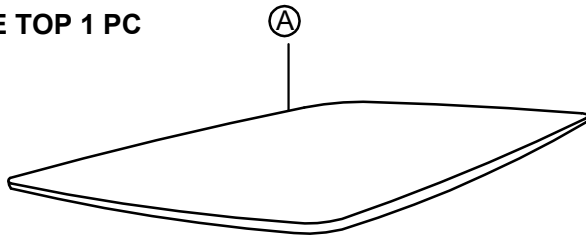


TIAGO DINING TABLE ASSEMBLY INSTRUCTIONS

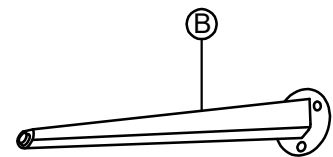


PARTS PACKING CONFIGURATION

BOX #1
A. TABLE TOP 1 PC

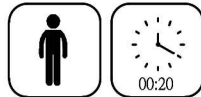


BOX #2
B. LEG 4 PCS

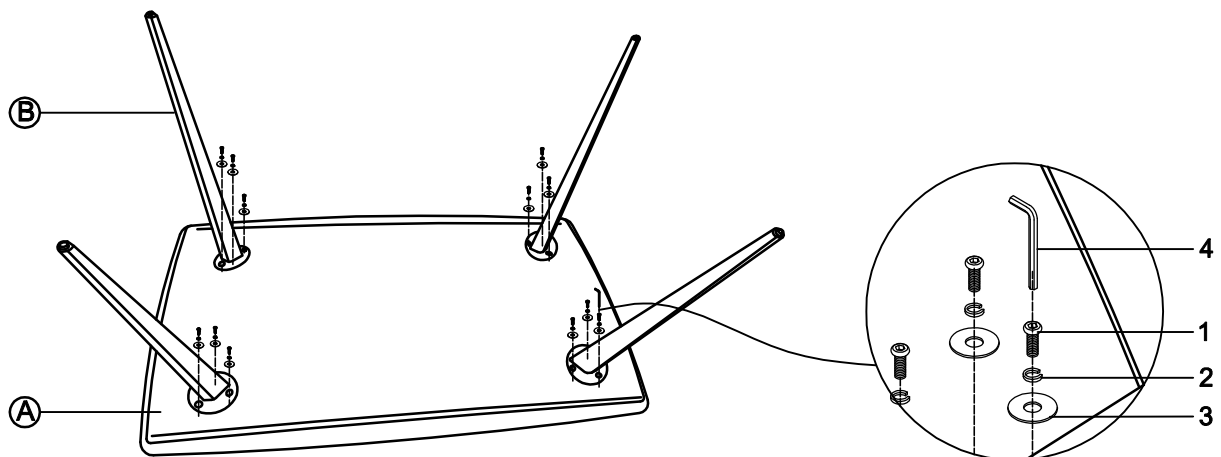


HARDWARE ENCLOSED IN BOX #2

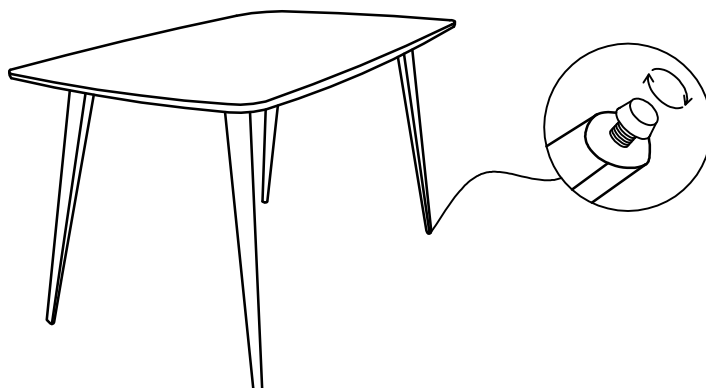
No	Description	Photo	Quantity
1	ALLEN BOLT(5/16"×3/4")		12 PCS
2	SPRING WASHER(1/2")		12 PCS
3	FLAT WASHER(9/16")		12 PCS
4	ALLEN KEY		1 PC



STEP1:



FULLY ASSEMBLED



IF THE TABLE IS NOT LEVEL ON YOUR FLOOR, PLEASE ADJUST LEVELERS ON UNDERSIDE OF THE LEGS(B)