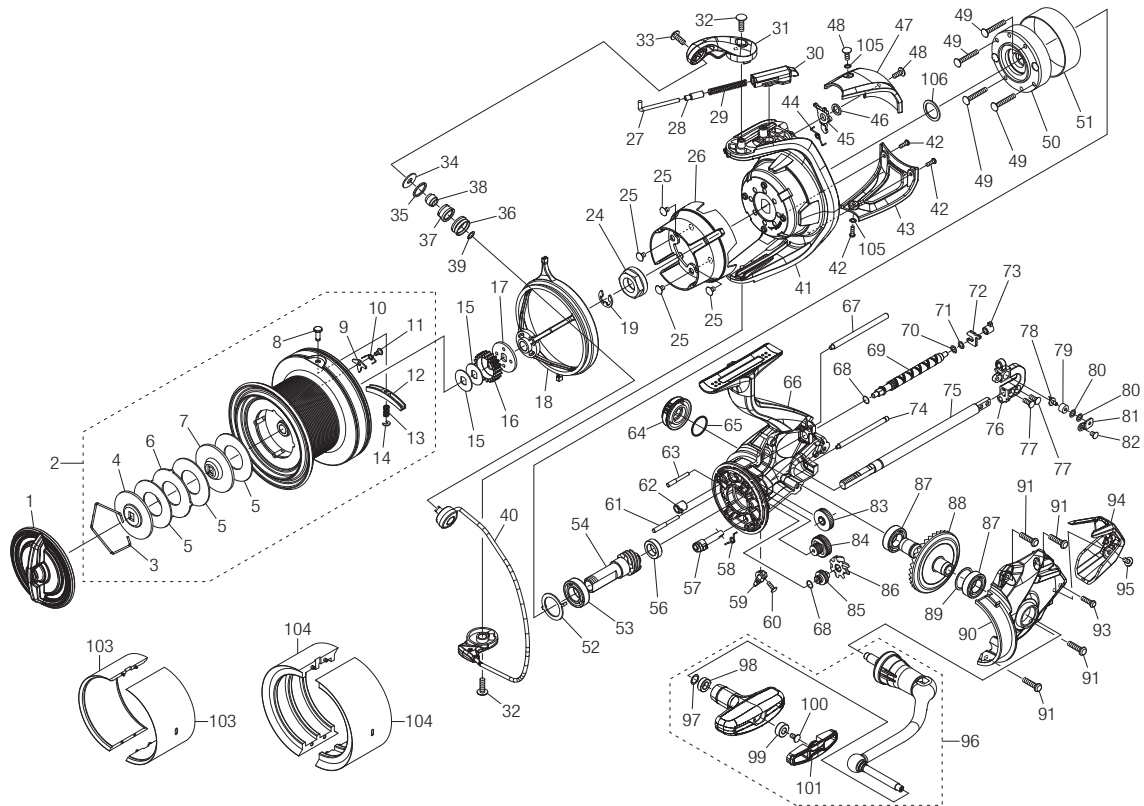


SHIMANO

SpeedMaster

SPM-14000XTD



(51SH722V40X) Please note that the number of adjusting washers may not be the same as shown in the exploded views. (Adjustment will vary with each individual product.)

#	Part No.	Description	#	Part No.	Description	#	Part No.	Description
1	1421D	Drag Knob Assembly	41	141JW	Rotor Assembly	78	106V1	Oscillating Pawl
2	1421E	Spool Assembly	42	103NJ	Screw	79	10JUY	Oscillating Slider Bushing
3	10M2P	Retainer	43	10SU0	Bail Hold Support Guard	80	100CW	Washer
4	10PLN	Key Washer B	44	106PM	Lever Spring	81	10HAD	Oscillating Pawl Retainer
5	1031E	Drag Washer	45	1085E	Bail Trip Lever	82	103LG	Screw
6	10N2H	Eared Washer	46	10764	Washer	83	10HBN	Idle Gear
7	10BCF	Key Washer A	47	10SHQ	Bail Spring Cover	84	10SUE	Idle Gear C
8	10ATX	Line Clip	48	10LFG	Screw	85	10SU1	Idle Gear B Small
9	1038F	Drag Click	49	10LJ3	Screw	86	100EY	Idle Gear B
10	102A2	Drag Click Spring	50	10QL4	Roller Clutch Assembly	87	107FL	Ball Bearing
11	10A6G	Screw	51	106HS	Roller Clutch Ring	88	10AMA	Drive Gear
12	10JQU	Line Clip Holder	52	106MU	Bearing Washer	89	10HHK	Washer
13	10B03	Line Clip Spring	53	104PX	Ball Bearing	90	1421J	Side Cover
14	105NC	E Lock	54	1421G	Pinion Gear	91	10SJ4	Screw
15	106VN	Spool Washer	56	1421H	Bushing	93	10L26	Screw
16	101Y5	Spool Support A	57	1053M	Anti Reverse Cam	94	1008W	Rear Protector
17	10GH5	Spool Support B	58	10DCS	Anti Reverse Cam Spring	95	10K8S	Screw
18	10STY	Line Safety Guard Assembly	59	10G2T	Anti Reverse Lever	96	1421K	Handle Assembly
19	105RZ	E Lock	60	10LCY	Screw	97	104FH	Washer
24	1422S	Rotor Nut	61	10SHU	Idle Gear B Shaft	98	104UJ	Bushing
25	103L7	Screw	62	106M2	Worm Bushing	99	10EU0	Bushing
26	10SHM	Rotor Brim	63	10SUG	Idle Gear C Shaft	100	10LFA	Screw
27	105YW	Bail Spring Guide A	64	10QXG	Handle Screw Cap	101	10SHY	Handle Knob Seal
28	10HDL	Bail Spring Guide A Collar	65	10R22	O Ring	105	105AA	Washer
29	105LK	Bail Spring	66	141JX	Body Assembly	106	10G4M	Washer
30	107A8	Bail Spring Guide B	67	10SHK	Oscillating Guide B			
31	1421F	Bail Arm	68	10TM7	O Ring			
32	10LLK	Screw	69	10SHJ	Worm Shaft			
33	10K92	Screw	70	10ECK	Spacer			
34	107WS	Washer	71	10K9C	Washer			
35	10KFF	Spacer	72	10SU8	Worm Shaft Retainer			
36	10JLZ	Line Roller	73	10SHS	Worm Bushing			
37	10PFK	Bushing	74	10SUC	Oscillating Guide A			
38	10HAR	Collar	75	14219	Main Shaft			
39	10KF7	Washer	76	10SHP	Oscillating Slider	103	10EWH	Spool Economizer A (accessory)
40	141JV	Bail Assembly	77	10ML9	Screw	104	10A9G	Spool Economizer C (accessory)