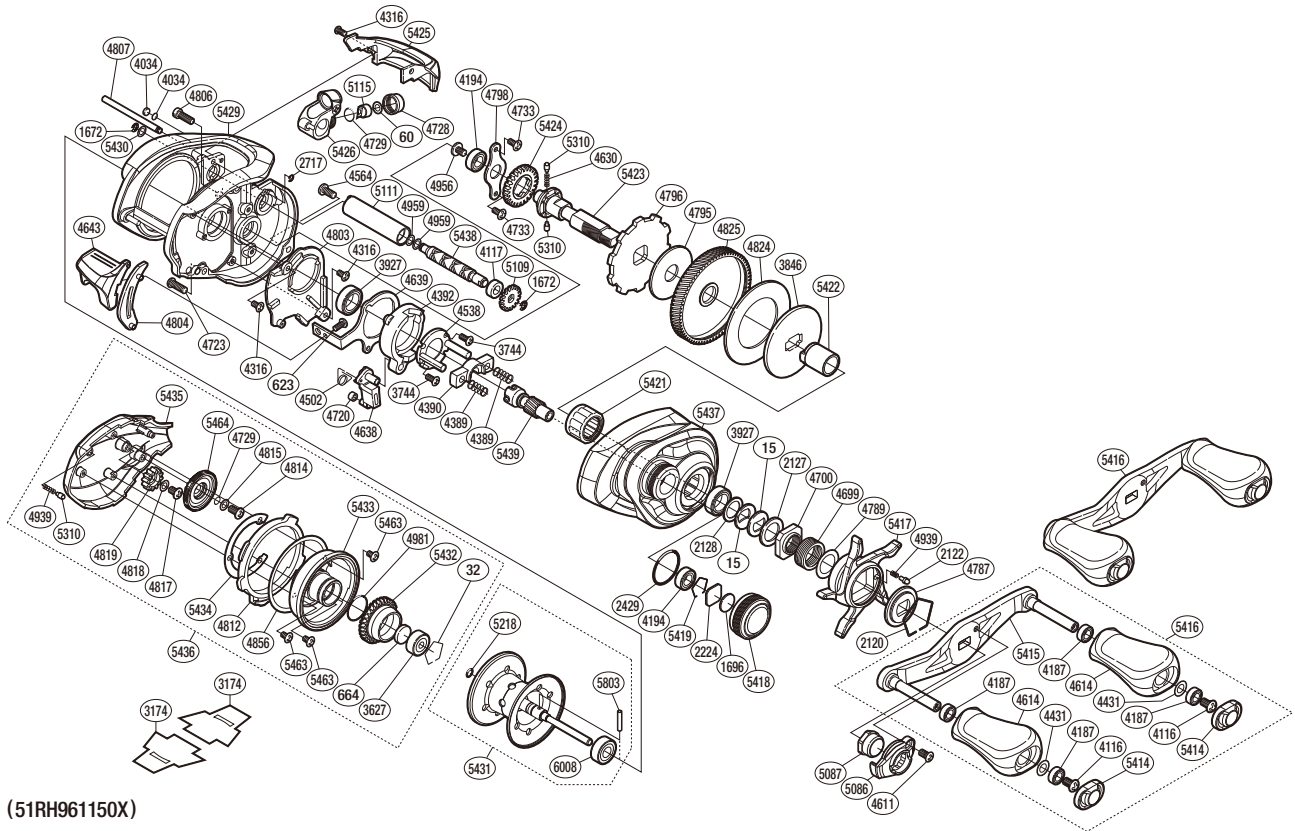


SHIMANO

Metanium MGL

META MGL-HGR



(51RH961150X)

#	Part No.	Description	#	Part No.	Description	#	Part No.	Description
15	10D60	Drag Spring Washer	4639	10QGF	Clutch Plate	5115	10FFU	Line Guide Pawl
32	10GEW	Bearing Retainer	4643	10MWD	Quick-Fire li Clutch Bar	5218	10EZ7	O Ring
60	10CFW	Spacer	4699	10A71	Star Drag Spring	5310	10HJG	Idle Gear Pin
623	103C0	Screw	4700	10A0B	Star Drag Nut	5414	10TNK	Handle Knob Seal
664	1057S	Spacer B	4720	1048C	Clutch Pawl Bushing	5415	101GH	Handle Shank Assembly
1672	105NC	E Lock	4723	103CG	Screw	5416	10TR0	Handle Assembly
1696	10896	Cast Control Spacer	4728	10FJD	Pawl Cap	5417	10TN0	Star Drag
2120	10KXV	Click Plate Retainer	4729	108WQ	O Ring	5418	10TMK	Cast Control Cap
2122	10BT0	Click Pin	4733	10LVD	Screw	5419	10R0Q	Bearing Retainer
2127	10J1N	Star Drag Spacer	4787	10J1Y	Star Drag Click Plate	5421	10TM8	Roller Clutch Bearing
2128	105PW	Bearing Washer	4789	10HHM	Washer	5422	10TMS	Roller Clutch Inner Tube
2224	1085F	Spool Tension Spacer	4795	10CJ1	Drag Washer	5423	10TMX	Drive Shaft
2429	108WK	O Ring	4796	10D6X	Anti-Reverse Ratchet	5424	10TQ5	Idle Gear
2717	105NB	E Lock	4798	109T2	Drive Shaft Retainer	5425	10TPU	Level Wind Protector
3627	105C0	Ball Bearing	4803	10BVJ	Clutch Guard	5426	10NYJ	Line Guide
3744	10LVH	Screw	4804	1096Y	Clutch Bar Guide	5429	101S5	Frame
3846	10D3N	Key Washer	4806	10M2E	Screw	5430	10GA0	Washer
3927	10EX8	Ball Bearing	4807	10GUE	Level Wind Guide	5431	101XV	Spool Assembly(With Bearing)
4034	108Q2	Anti-Thrust Washer	4812	10BAF	Side Plate Cam Lever	5432	101S2	Brake Pipe Gear
4116	103E9	Screw	4814	103LE	Screw	5433	101S3	Brake Case
4117	10PXV	Bushing	4815	10GFB	Washer	5434	108AW	Washer
4187	104VX	Ball Bearing	4817	103L7	Screw	5435	10194	Left Side Plate
4194	105BP	Ball Bearing	4818	10G6W	Washer	5436	101S0	Left Side Plate Assembly
4316	10MT2	Screw	4819	10CLF	Idle Gear	5437	101GF	Right Side Plate
4389	104BU	Yoke Spring	4824	106XS	Drag Washer	5438	10TPR	Worm Shaft
4390	1046S	Yoke	4825	10CM2	Drive Gear	5439	10TPZ	Pinion Gear
4392	10KSB	Clutch Cam	4856	104MZ	Washer	5463	103N7	Screw
4431	10G8G	Washer	4939	10988	Click Spring	5464	101UJ	Br Dial
4502	104CN	Clutch Pawl Spring	4956	10PVT	Screw	5803	10MD0	Spool Clutch Pin
4538	10F42	Clutch Cam Retainer	4959	10GFJ	Washer	6008	10TMG	Ball Bearing
4564	10LZD	Screw	4981	10LA8	O Ring			
4611	103EE	Screw	5086	10Q5S	Handle Retainer			
4614	10329	Handle Knob	5087	10FFF	Handle Nut			
4630	10JDX	Idle Gear Spring	5109	10FNX	Idle Gear	3174	10PBQ	Reel Seat Spacer (Accessory)
4638	105ZU	Clutch Pawl	5111	10NFW	Level Wind Guard	4692	10LQ0	B-100 Oil (Accessory)

Please note that the number of adjusting washers may not be the same as shown in the exploded views.
(Adjustment will vary with each individual product.)

(241205)_005