

# READ ME FIRST!

**Note:** These instructions replace any and all other instructions supplied with the mirror.

## LIRE EN PREMIER!

**Remarque :** Ces instructions remplacent toutes les instructions fournies avec le miroir.

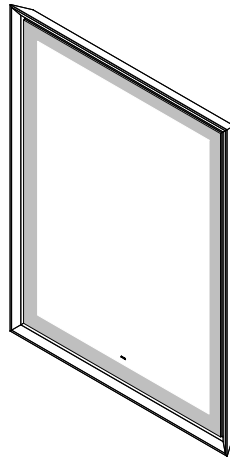
## ¡FAVOR DE LEER PRIMERO!

**Nota:** Estas instrucciones reemplazan todas las demás instrucciones incluidas con el espejo.

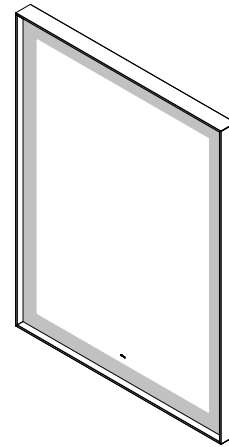
---

### CONTENTS

Electrical connection - **4**  
Prep the wall - **5**  
Prep the mirror - **8**  
Mirror installation - **10**  
Français / Español - **12**



Chamfer



Slim

---

### GENERAL INFORMATION

This instruction sheet contains information on how to install the Sculpt Mirror. This series comes in many sizes. Please refer to the box or product label for the specific model number.

Save these instructions for future use and reference. An improper installation voids the warranty. Carefully inspect the mirror for damage. Installed products cannot be returned.

If you experience any problems with your wall mirror, contact your dealer or Robern directly.

Limited Warranty — One Year Term

# DIMMER RECOMMENDATIONS

Robern recommends the Maestro® C•L® Dimmer from LUTRON®, Model # MACL-153M.  
<http://www.lutron.com/TechnicalDocumentLibrary/369613a.pdf>

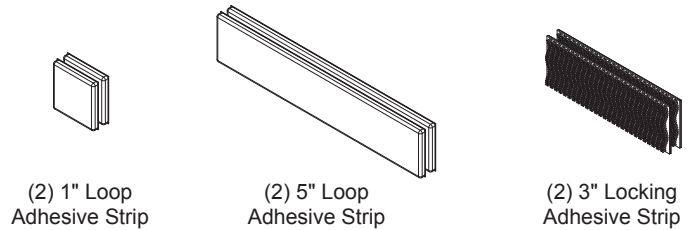
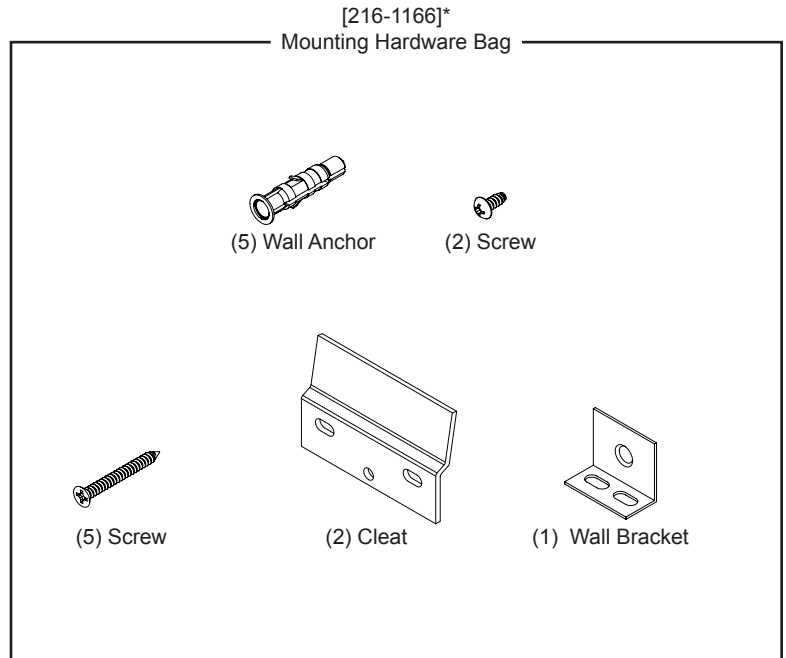
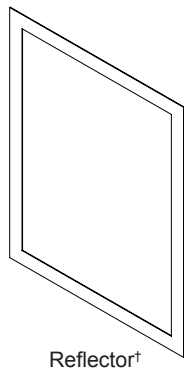
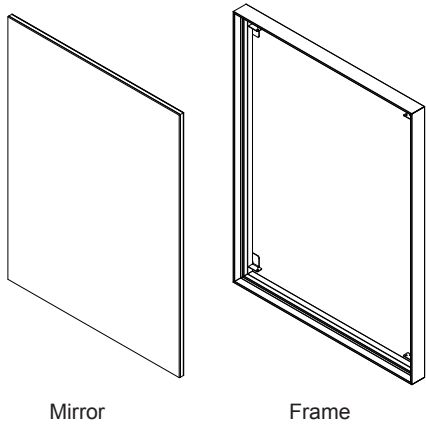
Other LED control dimmers may operate with this product but have not been tested or verified. It's recommended that the dimmer be within reach of your mirror so you can adjust the brightness.

For on/off (no dimmer) operation a standard wall switch may be substituted in place of the dimmer.

# TOOLS NEEDED



# PARTS



\* Some hardware may not be used in all installations.  
 For framed mirror sizes over 45" in width, two hardware bags are included.  
 † Title 24 models only

## NOTES

Unpack the mirror. Check the box thoroughly for all hardware and loose parts. Carefully inspect the mirror for damage.

**⚠ DANGER:** Risk of personal injury. To avoid possible electrical shock, the electricity must be turned off at the circuit breaker or fuse box before attempting any installation procedure.

**⚠ DANGER:** Risk of personal injury. To avoid possible electrical shock, the mirror must be properly grounded.

**⚠ CAUTION:** Grounding instructions for connected products: Both power leads of this product must be connected to a grounded AC power outlet and a grounded AC electrical circuit. All wiring should be done by a qualified licensed electrician.

**⚠ CAUTION:** This mirror may be equipped with two power leads. Be certain that ALL power leads are disconnected/unplugged from the power outlet before servicing.

IMPORTANT: Power for the defogger should be provided separately from the electricity to the lights so that the defogger can be controlled independently of the lights and should be wired to a separate switch.

NOTE: Requires 120 VAC 20 amp GFCI circuit.

NOTE: Requires an approved compatible dimmer for installation (not included). Refer to the dimmer recommendation on page 2.

Observe all local electrical codes and building codes. Wire the mirror in accordance with the electrical codes.

This mirror is for indoor use only.

This mirror is UL listed for damp locations and conforms to UL 962; certified to CAN/CSA C22.2 Canadian Electrical Code, Part I.

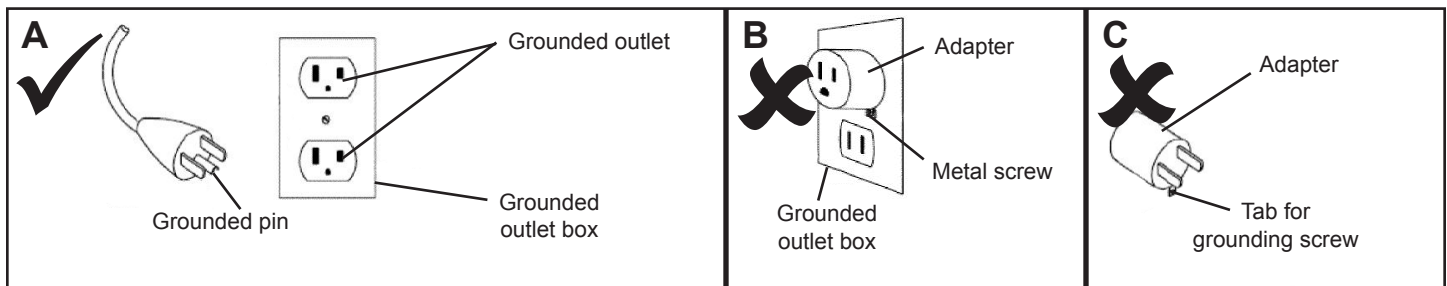
This installation may require more than one person.

## DANGER - RISK OF SHOCK - DISCONNECT POWER BEFORE INSTALLATION

### Grounding instructions:

For a grounded, cord-connected product rated max 15 amperes and intended for use on a nominal 120-volt supply circuit: This product is for use on a nominal 120-volt circuit and has a grounding plug that looks like the plug illustrated in sketch A (below). Make sure that the product is connected to an outlet having the same configuration as the plug.

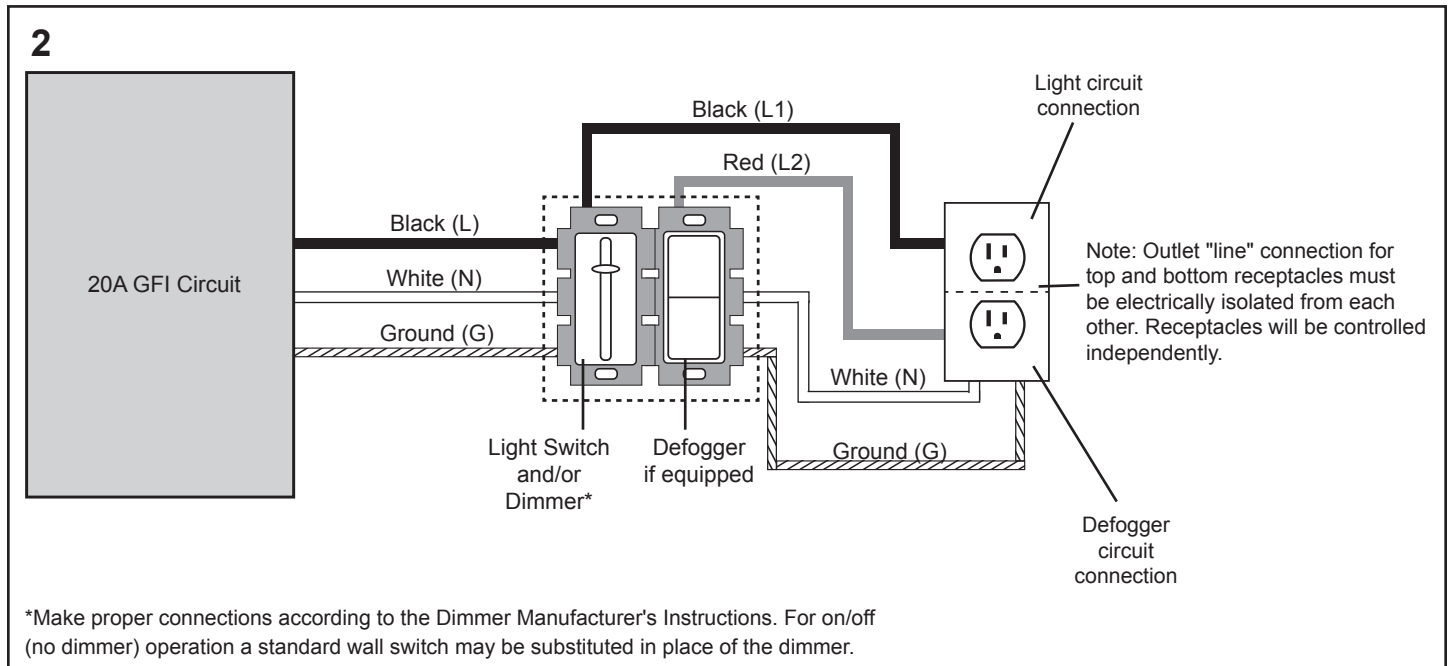
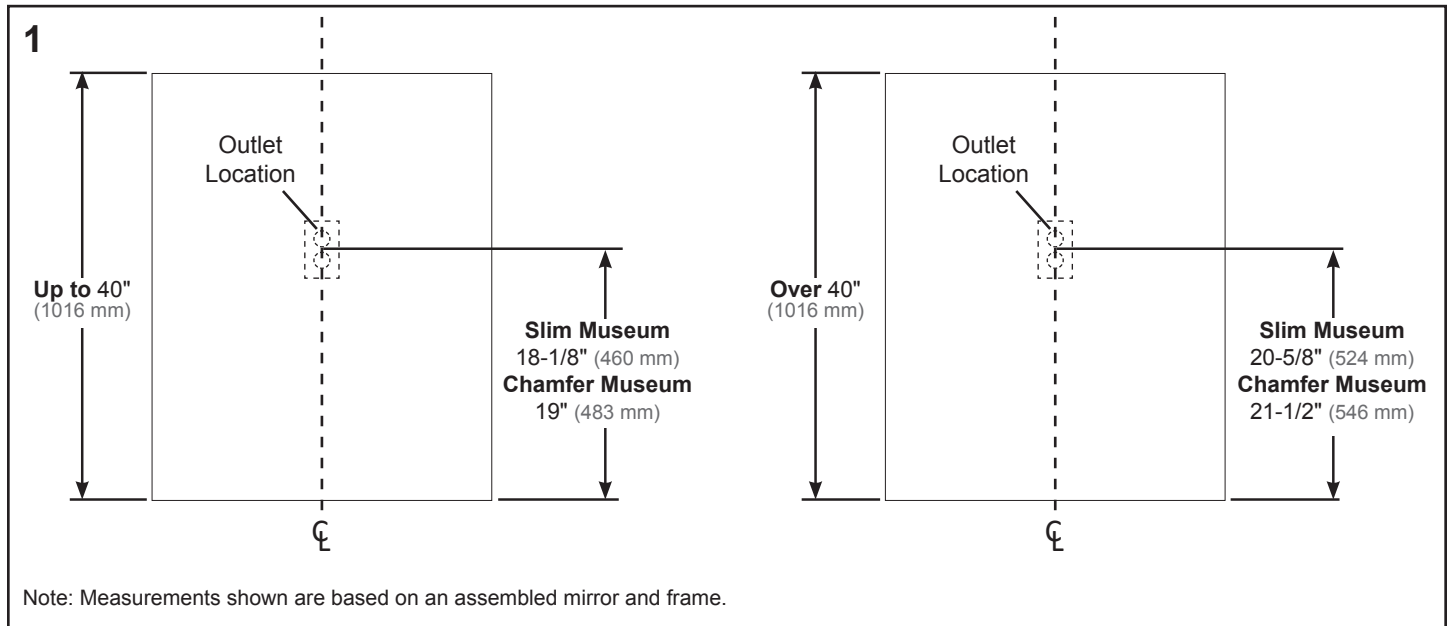
**No adapter should be used with this product as illustrated in sketch B and C.**



# STEP 1 - ELECTRICAL CONNECTION

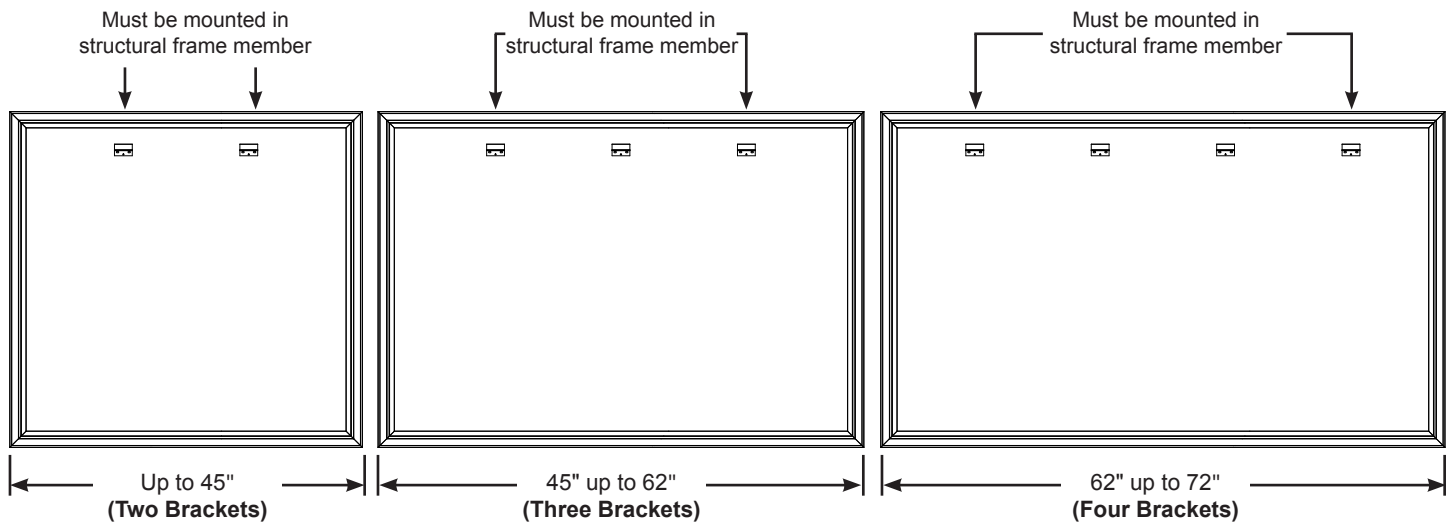
Refer to the Dimmer recommendations on page 2.

1. The required outlet should be located as shown. (see figure 1)
2. Make electrical connections as shown. (see figure 2)



## STEP 2 - PREP THE WALL

1. The mounting location for the cleats are determined by the light pattern and width of the mirror. Use the diagrams on pages 5, 6, and 7 for the mounting location and number of cleats needed. Whether you are using two, three, or four brackets, you must mount the two outer brackets to a structural frame member.



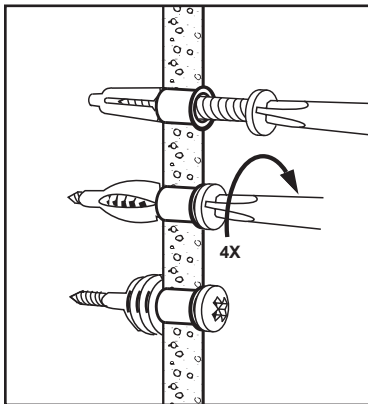
2. Level and mark the holes that determine the location of the cleats.

3A. Locate the studs and drill two holes for each cleat using a 3/32" drill bit.

3B. For the mounting brackets that do not require structural mounting (see views above), drill a 1/4" hole for each wall anchor and use the supplied wall anchors.\*

4. Use screws provided to attach cleats to the wall.

5. Tighten screws until tight. When anchors are used, keep turning screw at least 4 more times as shown to properly set anchor.

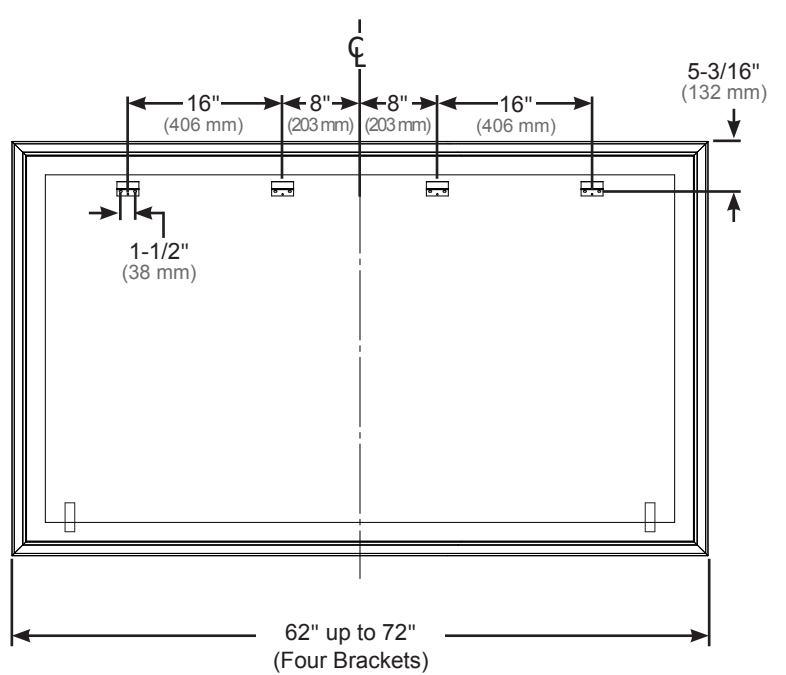
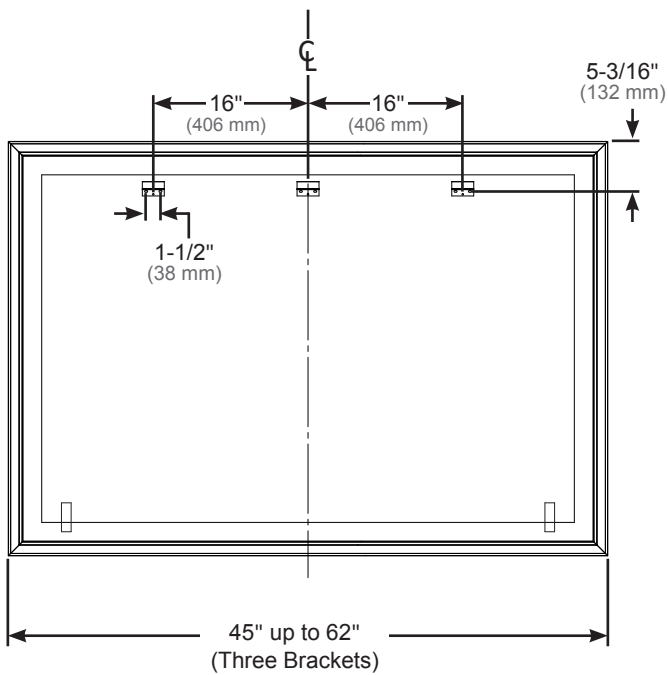
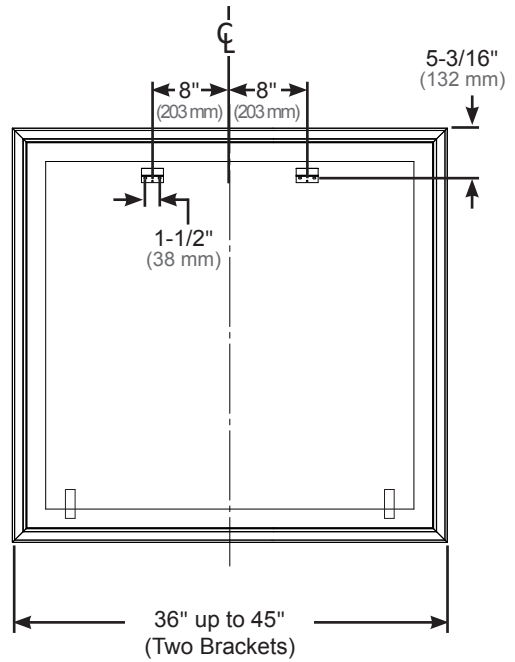
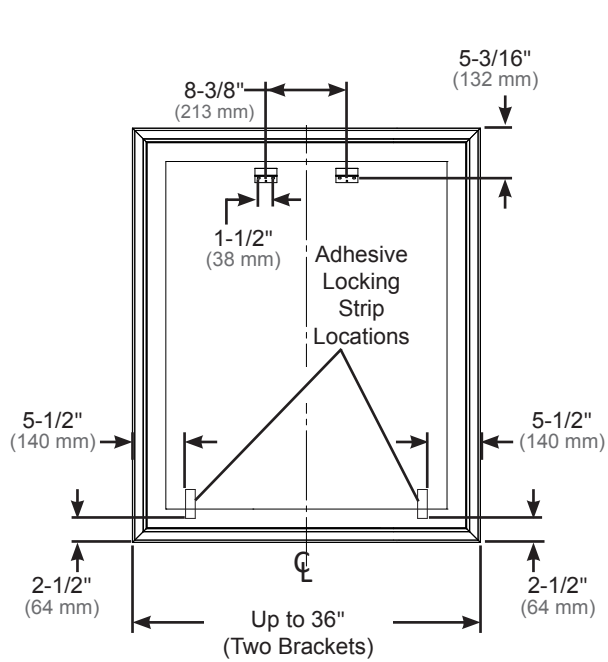


\*Actual wall anchor may differ from type shown.

6. Peel and stick the 3" adhesive locking strips to the wall in the locations indicated on pages 6 and 7.

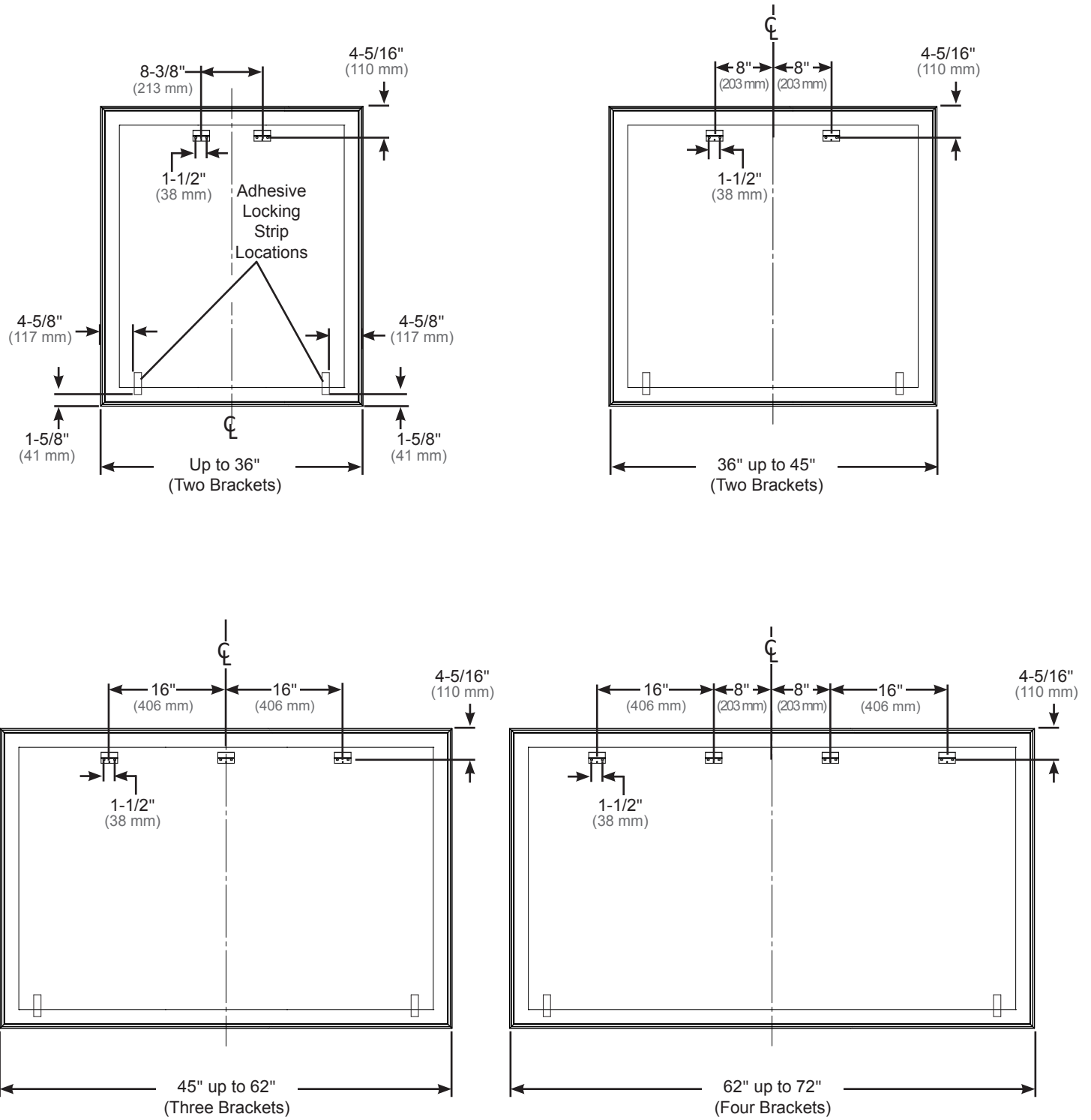
# STEP 2 FOR CHAMFER MUSEUM FRAME - PREP THE WALL

Note: Dimensions are based on the mirror and framed assembly



## STEP 2 FOR SLIM MUSEUM FRAME - PREP THE WALL

Note: Dimensions are based on the mirror and framed assembly



robern

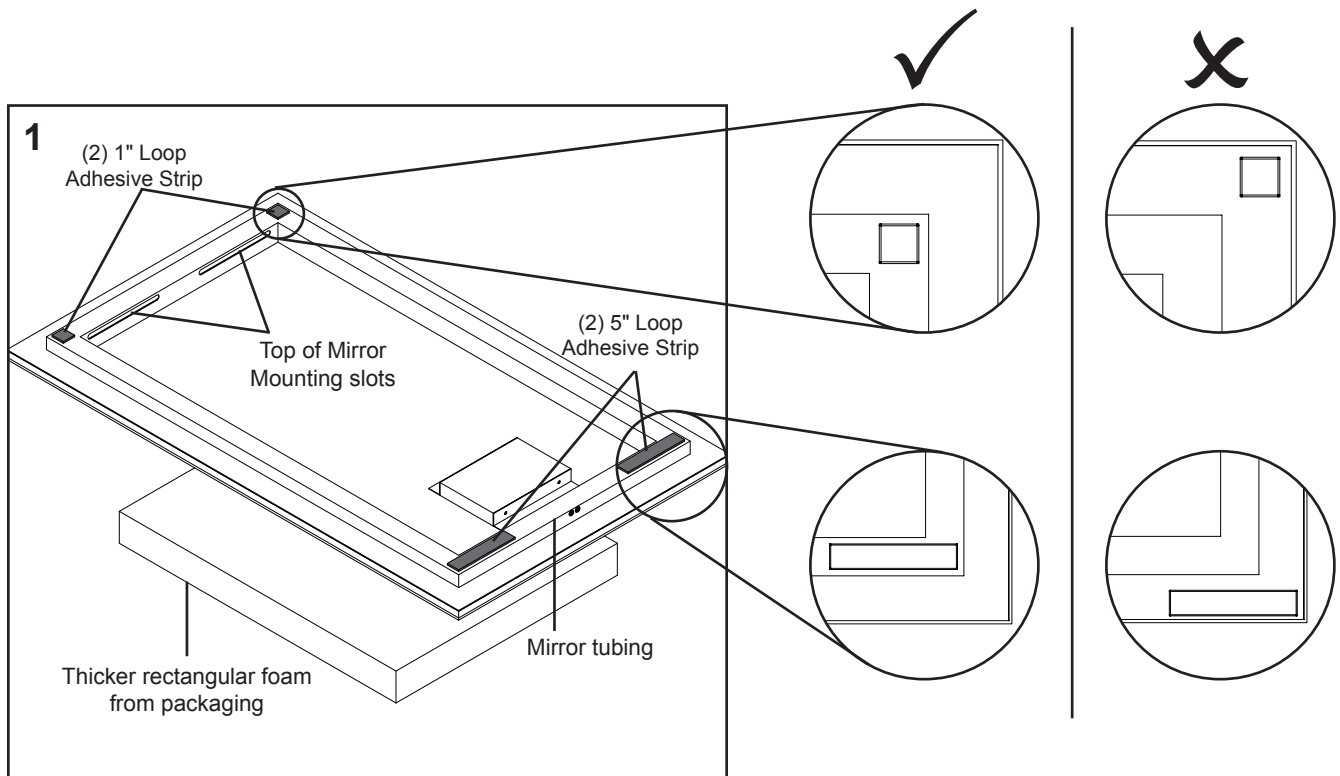
© 2019 Robern, Inc. 701 N. Wilson Ave. Bristol, PA 19007 U.S.A.  
800.877.2376 [www.robern.com](http://www.robern.com)

Installation instructions

Part no. 209-1308-rC rev. 08/29/19  
Sculpt

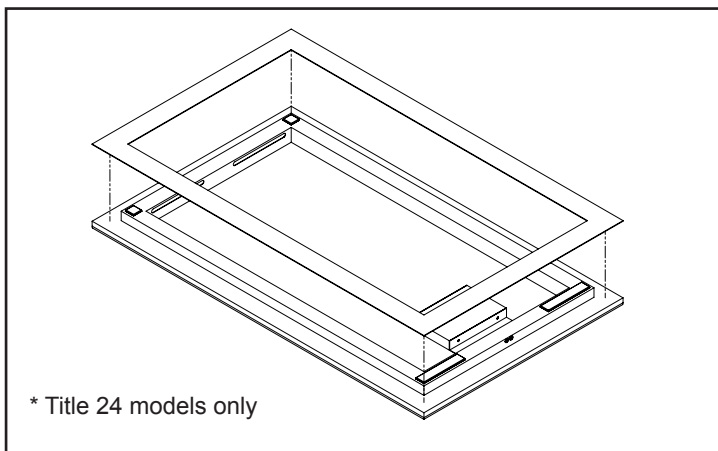
## STEP 3 - PREP THE MIRROR

1. Find and place the thicker foam rectangle from the packaging on a flat surface. Place the mirror, face down, on the foam. Clean the bottom section of the mirror tubing with isopropyl alcohol. Peel and stick the hook and loop adhesive strip to the mirror tubing.



## TITLE 24 - ADDING THE REFLECTOR

1. Add the included reflector\* to the back of the mirror as shown.

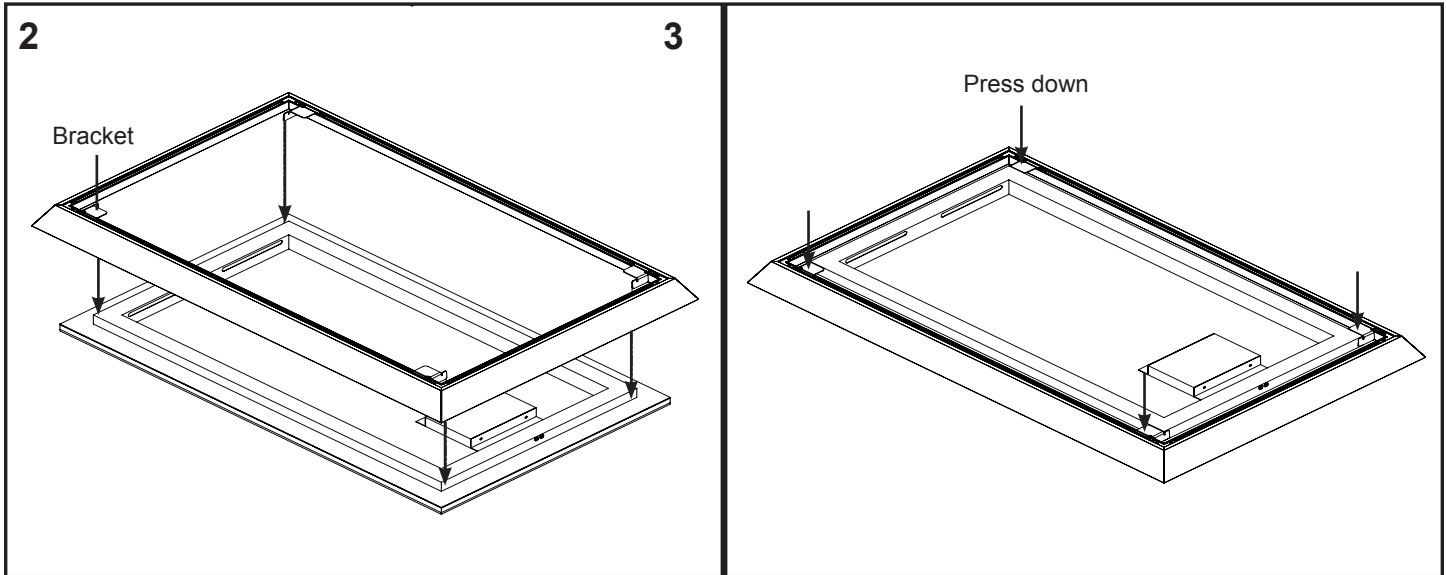


## STEP 3 - PREP THE MIRROR

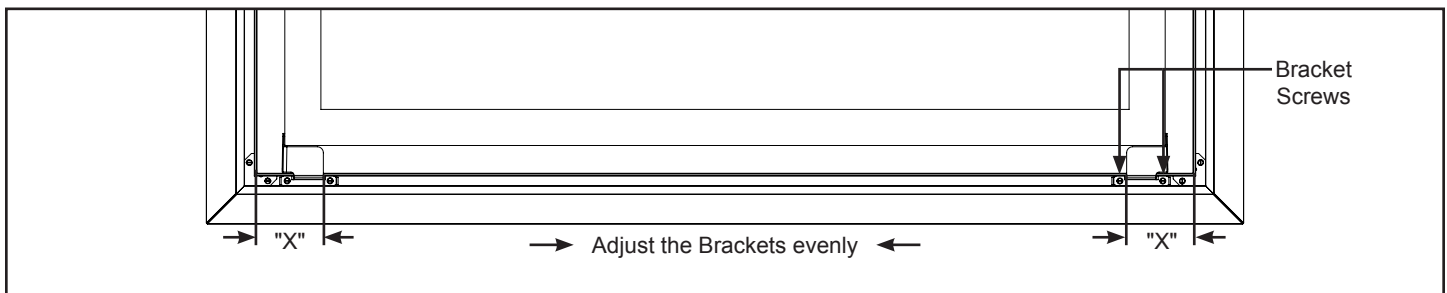
2. Remove the frame from its packaging and align it over the back of the mirror. The four frame brackets should meet the outside face of the tubing on the rear of the mirror. There should be some resistance as the brackets increase their contact with the tubing.

3. Press the brackets down onto the mirror tubing until the frame has come into complete contact with the back of the mirror tubing. The brackets will NOT contact the back of the mirror.

**Note:** Do NOT pick up the mirror in this orientation by the frame.



**Adjusting the brackets:** If the frame is not tight with the mirror, adjust the brackets toward each other evenly. Distances marked as "X" should measure the same.



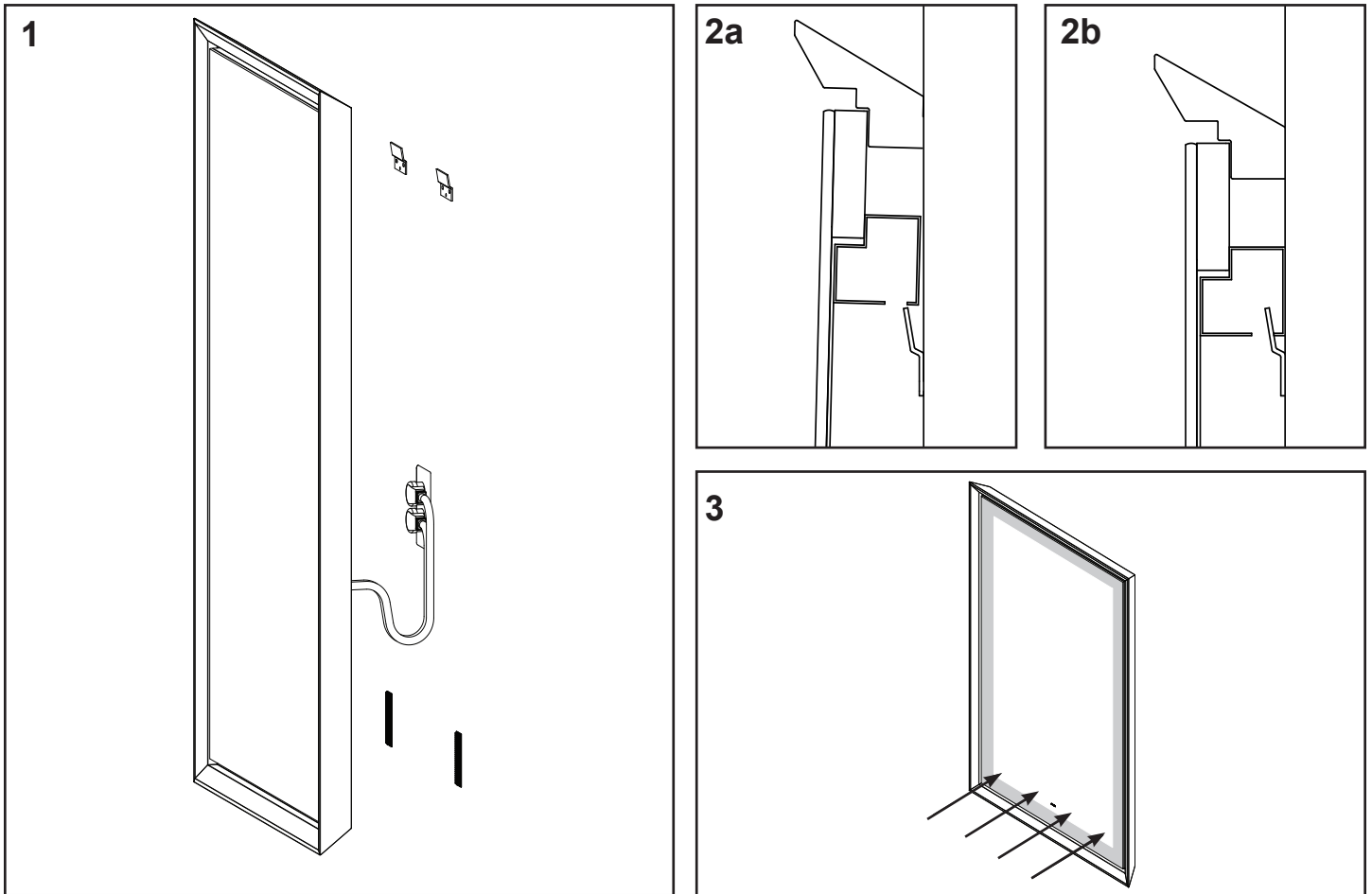
## STEP 4 - MIRROR INSTALLATION

1. Plug the mirror into the electrical outlet installed in STEP 1 - Electrical connection

**Note:** Make sure to dress wires so they are not pinched or damaged.

2. Lift the mirror and carefully lower onto cleats, and adjust horizontally.

3. Press on the lower surface of mirror to secure the adhesive strips together.



robern

© 2019 Robern, Inc. 701 N. Wilson Ave. Bristol, PA 19007 U.S.A.  
800.877.2376 [www.robern.com](http://www.robern.com)

Installation instructions

---

## USE AND MAINTENANCE

Use only a damp cloth to clean. Ammonia or vinegar-based cleaners can damage mirrors.

A 50/50 solution of water and isopropyl alcohol is recommended for cleaning the mirrors.

When cleaning, spray the cloth, not the mirror or surround surfaces. Do not use abrasive cleansers on any part of the light fixture.



---

## WARRANTY

### Limited Warranty One Year Term

Robern warrants to the original purchaser that, it will, at its election repair, replace, or make appropriate adjustment to products made by this company shown to have significant defects in material or workmanship which are reported to Robern in writing within one (1) year from the date of delivery. Robern is not responsible for installation costs. The warranty is void in the event the product is damaged in transit, or if damage or failure is caused by abuse, misuse, abnormal usage, faulty installation, damage in an accident, improper maintenance, or any repairs other than those authorized by Robern. At the expiration of the one year warranty period, Robern shall be under no further obligation under any warranty, expressed or implied, including the implied warranty of merchantability. Robern shall not be liable for any consequential damages arising out of or in connection with the use or performance of its products. Some states do not allow limitations on how long an implied warranty lasts or do not allow the exclusion or limitation of incidental or consequential damages, so the above limitation or exclusion may not apply to you. Any liability against Robern under any implied warranty, including the warranty of merchantability, is expressly limited to the terms of this warranty. Permission to return any merchandise under this warranty must be authorized by Robern and returned prepaid by the purchaser. Claims under this warranty should be sent directly to your dealer.

©2016 Robern, Inc.  
All rights reserved