

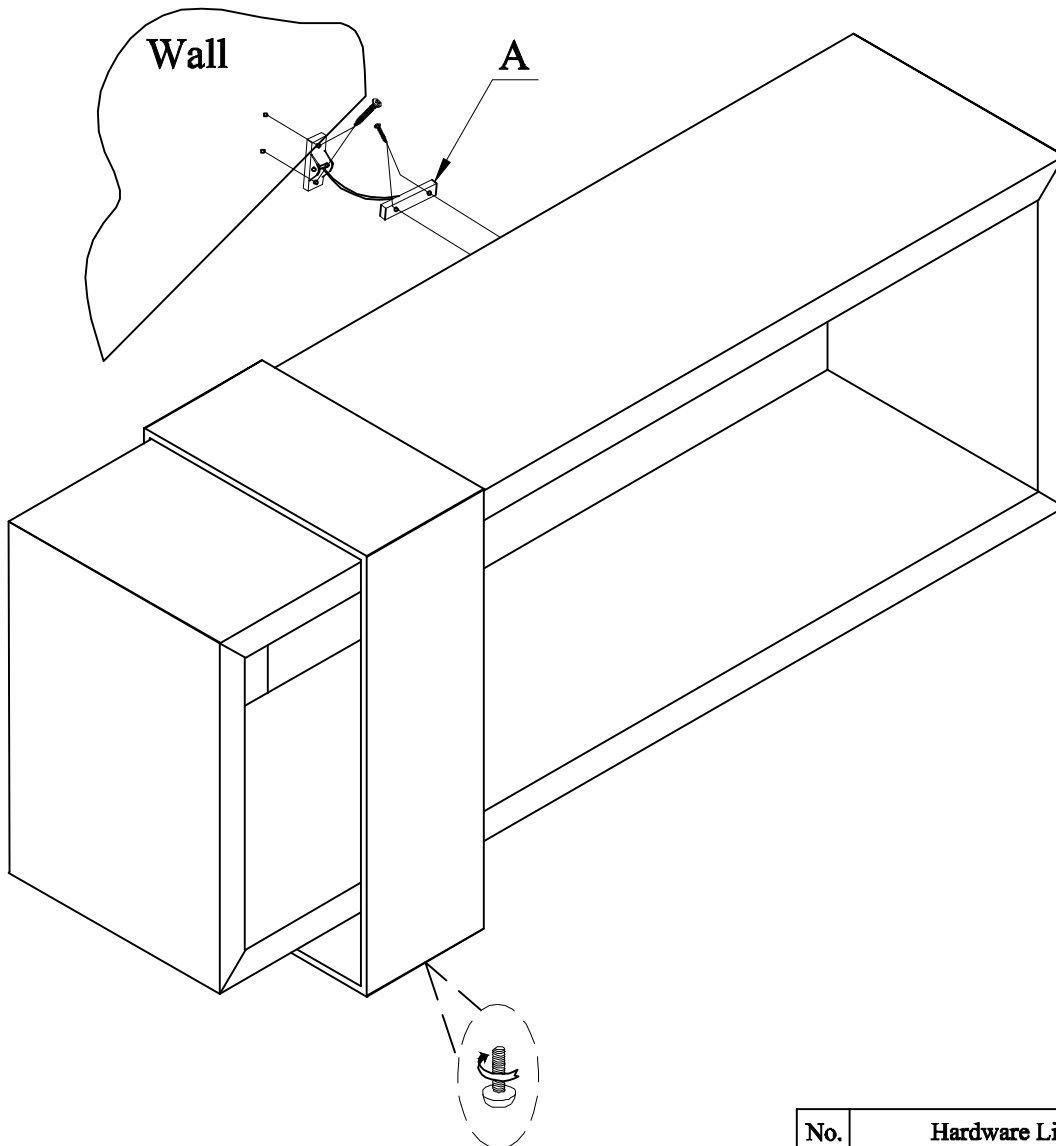
Assembly Instructions


CONSOLE

Model#:384-910B/G

Thank you for purchasing Bernhardt furniture. Please check all packing material to ensure proper assembly. Please read all instructions carefully before starting the assembly process. Some parts are large and heavy and require **AT LEAST TWO PEOPLE** to assemble, in order to prevent possible injury and/or damage to the piece.

Please, refer to the tip restraint's instruction for proper installation.



No.	Hardware List		Q'ty
A		Tipping restraint	1

Cleaning instruction: Wipe surface to be cleaned with damp cotton cloth; dry immediately with soft dry cotton cloth to remove all moisture.