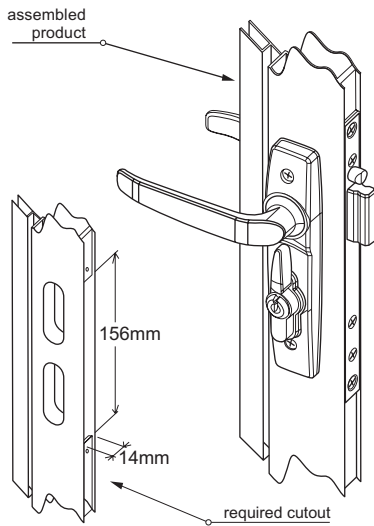
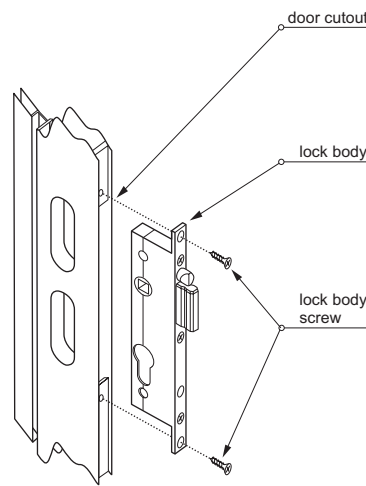


Fully illustrated fitting  
instructions inside



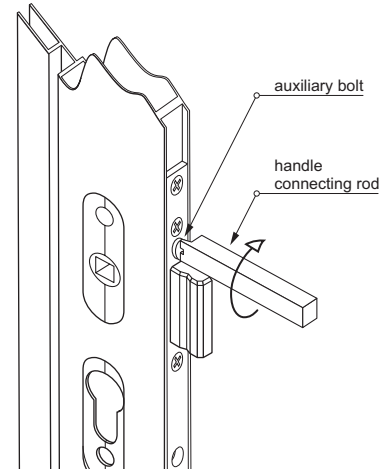
Step 1

- 1 Insert the **lock body** into the **door cutout**
- 2 Secure it with the two **#8x13mm lock body screws**



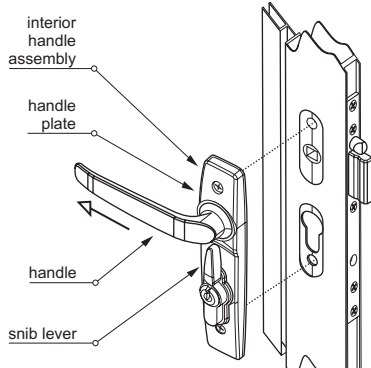
Step 2

- 1 Ensure the **auxiliary bolt** has its bevel facing toward the **strike plate/door jamb**
- 2 If necessary, push the **auxiliary bolt** in and rotate it 180 degrees using the forked end of the **handle connecting rod** or a flat blade screw driver



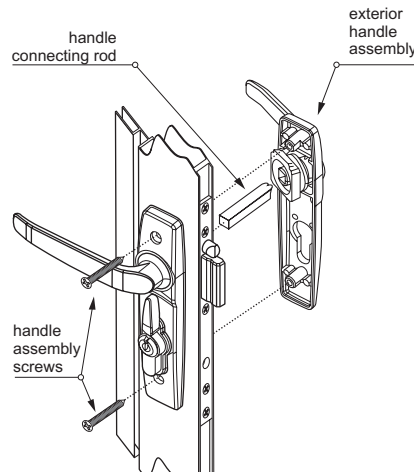
Step 3

- 1 Select the **interior handle assembly** with the **snib lever hole**
- 2 Hold the **snib lever** horizontally and insert it into the **snib lever hole**, turn it until vertical to secure it.
- 3 If the **handle** does not point towards the door hinges, remove it from the **handle plate** and exchange with the other **handle**
- 4 While holding the **snib lever** vertical, place the assembly over the **lock body** on the inside of the door



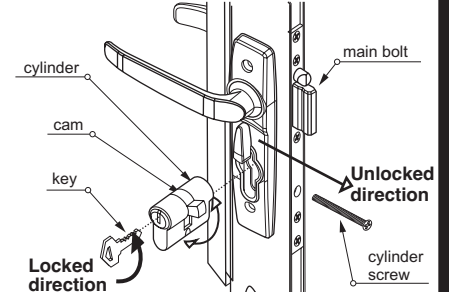
Step 4

- 1 Insert the **handle connecting rod** through the **lock body**
- 2 Locate the **exterior handle assembly** over the **lock body**
- 3 Fit the two **#8x32mm handle assembly screws**  
NOTE : do not fully tighten yet

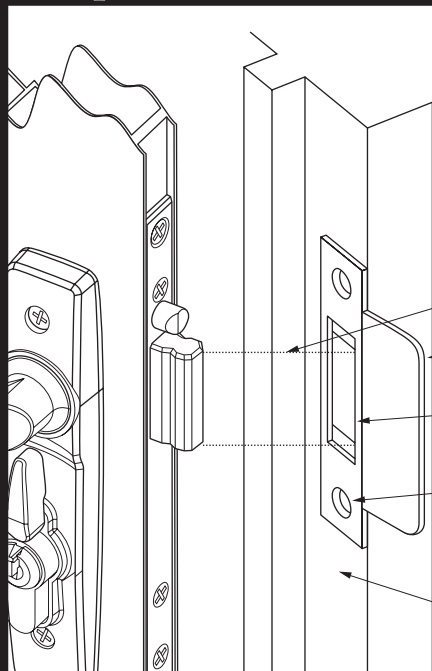


Step 5

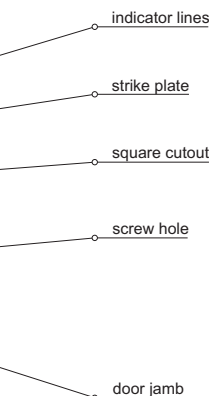
- 1 Remove one **key** and insert the **cylinder** into the **lock body**  
NOTE : the **cam** must rotate as shown
- 2 Depress the **auxiliary bolt** to ensure the **main bolt** has been released
- 3 While applying light pressure on the **snib lever** towards the **unlocked** position, turn the **key** firmly towards the **locked** position to engage the **cam** into the **slide**. While turning the **key**, allow the **snib lever** to move while still applying light pressure  
NOTE : test, **handle** should not pull down
- 4 Insert the **#10x38mm cylinder screw** and tighten
- 5 Tighten the **handle assembly screws**



Step 6



- 1 Pencil mark the **door jamb** at the same height as the **main bolt** (refer to indicator lines below)
- 2 Centre the **strike plate's square cutout** over the pencil marks on the **door jamb**
- 3 Pencil mark the **door jamb** through the **screw holes** and the **square cutout**
- 4 Pilot drill the **screw holes** if necessary



Step 7

- 1 Remove the timber inside the marked square with a chisel to a depth of 16mm to ensure there is adequate clearance around all sides of the **main bolt**
- 2 Secure the **strike plate** to the **door jamb** with two **#8x25mm screws**
- 3 Test the lock, if the **lock** will not operate, remove more timber

