

Talis

Talis Loop 2-Spray HighArc Kitchen Faucet, Pull-Down

Finishes : **steel optic** Part no. : **04701805**



Description

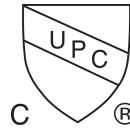
Features

- Swivel range 150°
- Laminar and needle spray
- Toggle spray diverter
- MagFit magnetic sprayhead docking
- 10 1/4" x 2 1/4" base plate for concealing basin holes
- Flow: 1.75 GPM
- Ceramic cartridge
- 3/8" hoses
- Integrated double backflow prevention

Technology



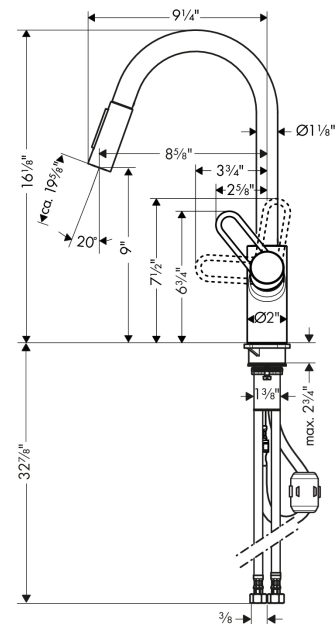
Compliance



Product image



Scale drawing

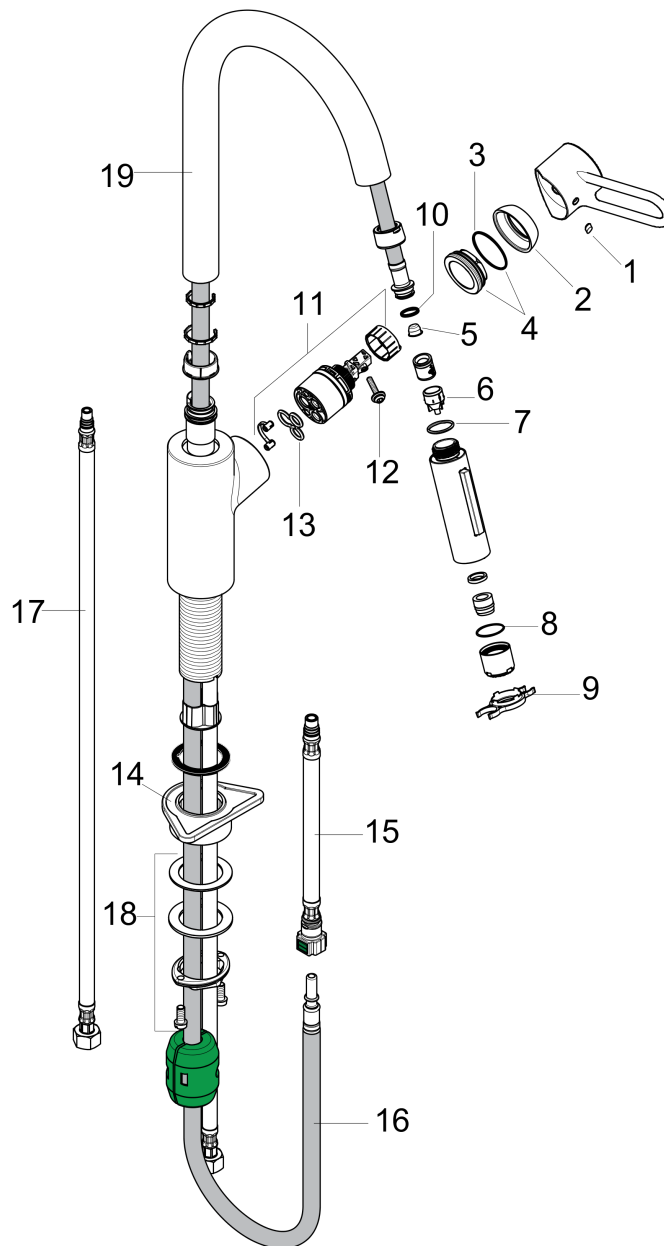


Talis
Talis Loop 2-Spray HighArc Kitchen Faucet, Pull-Down
Finishes : **steel optic** Part no. : **04701805**



Exploded drawing

Year of production: >04/16



Talis

Talis Loop 2-Spray HighArc Kitchen Faucet, Pull-Down

Finishes : **steel optic** Part no. : **04701805**



Spare parts list

Year of production: >04/16

Pos.	Description	Part no.	PC	PU
1	screw cover	96338000	-	1
2	flange	95498800	-	1
3	O-Ring 32x2	98193000	-	1
4	nut	97209000	-	1
5	filter	97735000	-	1
6	set of non return valves DW 15	97350000	-	1
7	O-ring 18x1,5	98231000	-	1
8	O-ring 20x1	98140000	-	1
9	service tool	95910000	-	1
10	O-ring 11x2	98127000	-	1
11	cartridge, assy	92730000	-	1
12	locking screw for handle	95140000	-	1
13	seal	95008000	-	1
14	support	97523000	-	1
15	connection hose 600 mm M10x1	95561000	-	1
16	hose 1,50 m	88624000	-	1
17	connection hose 35½" M8x0,75 3/8"	96316001	-	1
18	fixing set (Ø 34)	95049000	-	1
19	spout cpl.	95562800	-	1