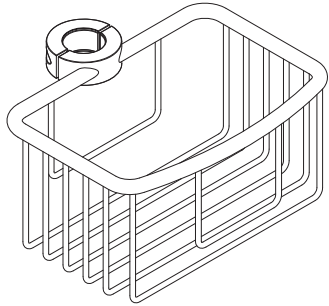




Installation guide / Guide d'installation / Guía de Instalación

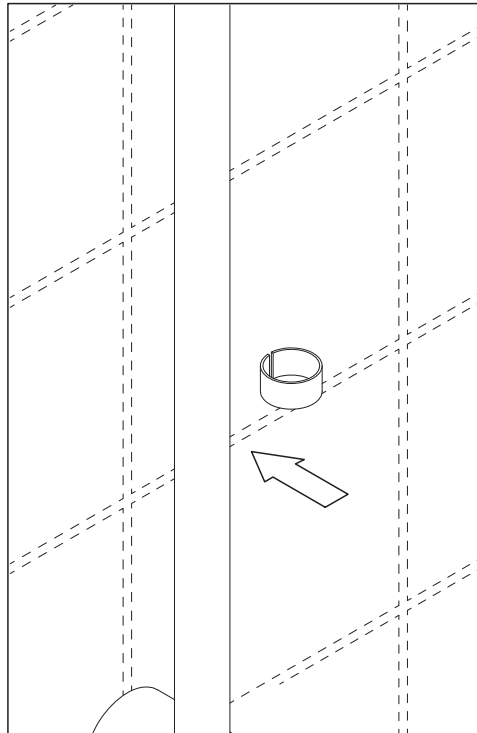
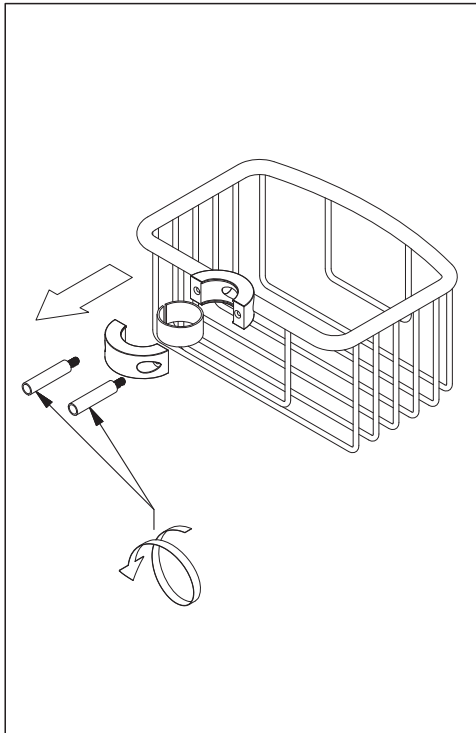


265 Rail 17 to 22 mm
275 Rail 21 to 25 mm

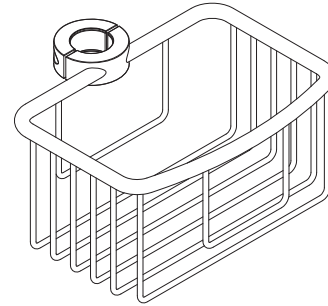


riobel.ca

Tools and equipment required / Outils et matériels requis / Herramientas y material requerido de instalación :



Installation guide / Guide d'installation / Guía de Instalación

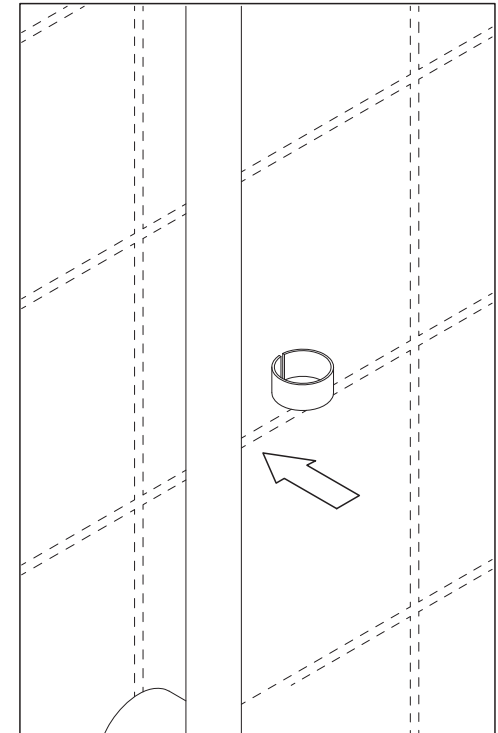
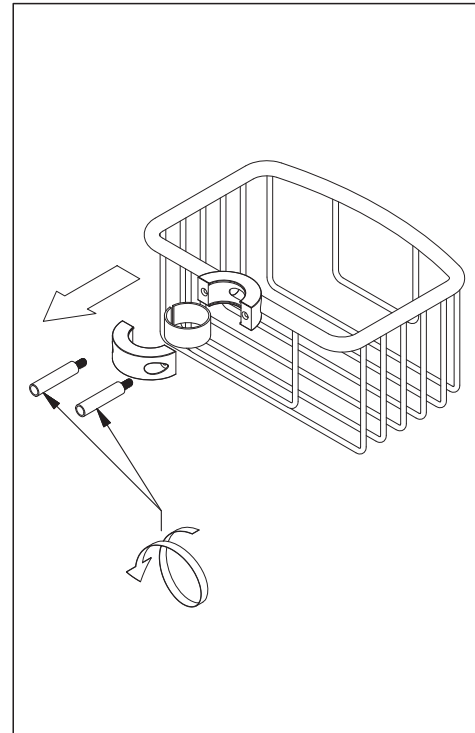


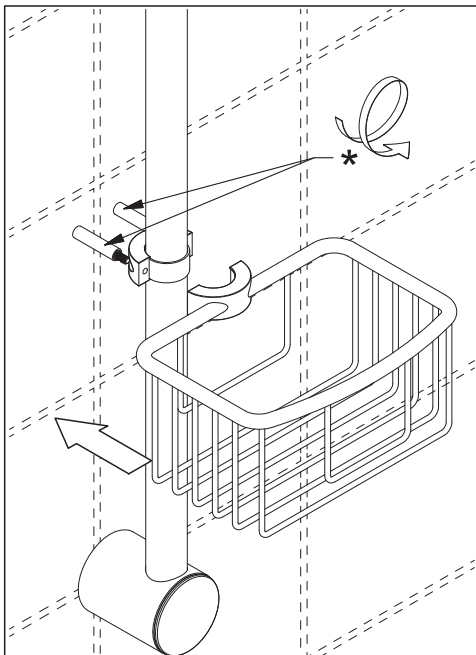
265 Rail 17 to 22 mm
275 Rail 21 to 25 mm



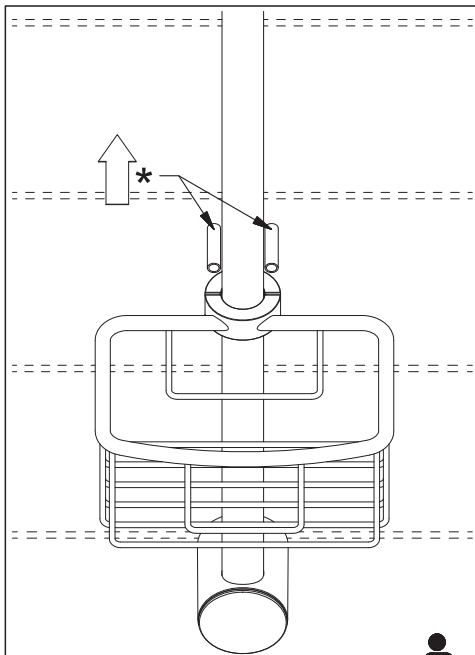
riobel.ca

Tools and equipment required / Outils et matériels requis / Herramientas y material requerido de instalación :

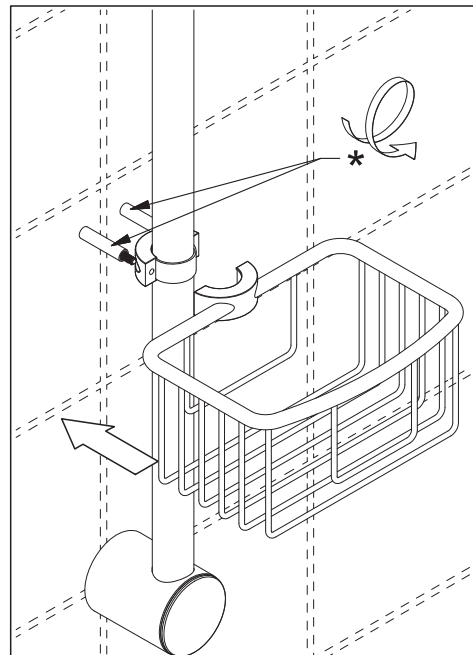




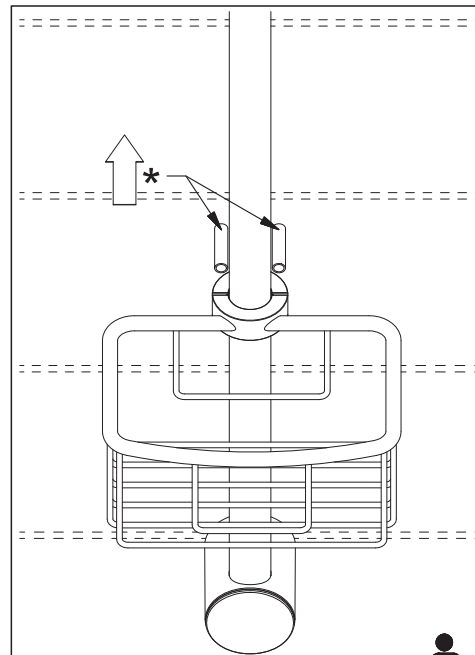
SCREW BY HAND
* VISSER À LA MAIN
TORNILLO A MANO



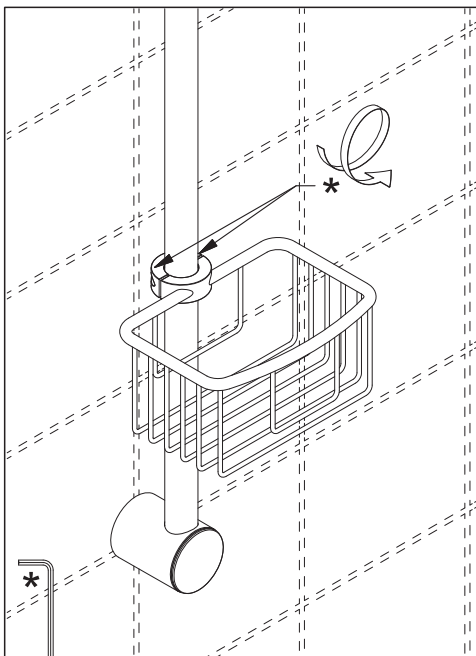
REMOVE
ENLEVER
ELIMINAR



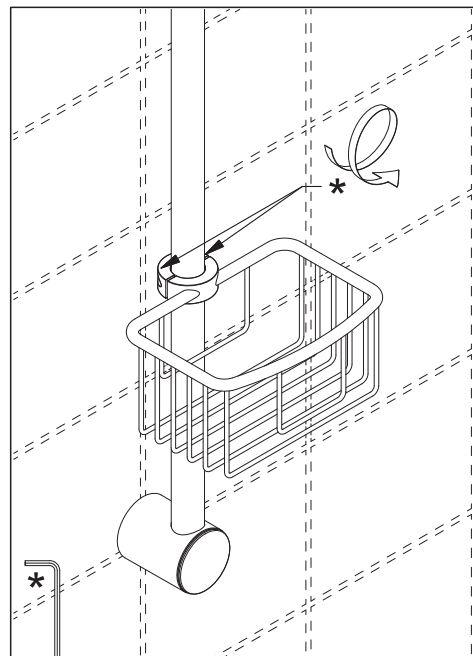
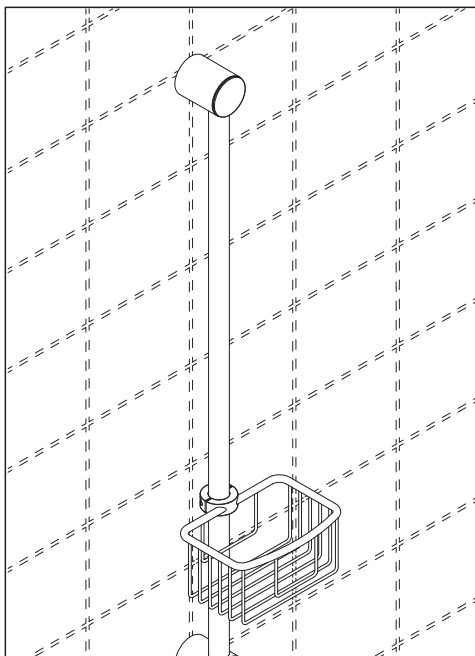
SCREW BY HAND
* VISSER À LA MAIN
TORNILLO A MANO



REMOVE
ENLEVER
ELIMINAR



TIGHT THE SCREW
SERRER LA VIS
APRIETE EL TORNILLO



TIGHT THE SCREW
SERRER LA VIS
APRIETE EL TORNILLO

