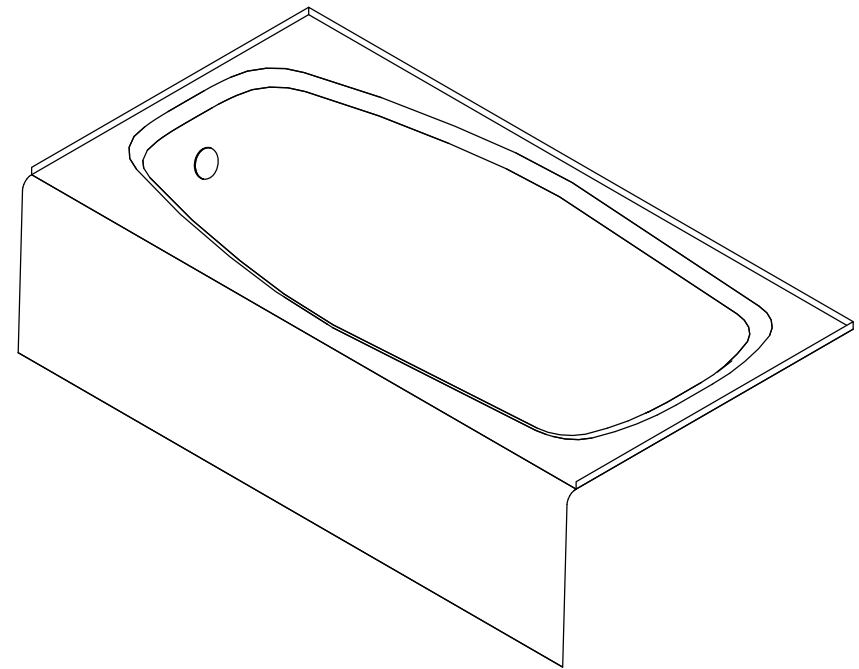


# Aqua Eden

ELEMENTS OF DISTINCTIVE STYLE



www.kingstonbrass.com  
TOLL-FREE CUSTOMER SERVICE: 1-877-2-KBRASS  
TECHNICAL SUPPORT E-mail: service@kingstonbrass.com  
12775 Reservoir Street, Chino, CA 91710

**NOTICE**

Failure to follow all directions may cause leaks  
which may result in water damage

**WARNING**

**Lifting hazard.**  
Single person lift could  
cause injury.  
Use assistance when  
moving or lifting.



# Aqua Eden

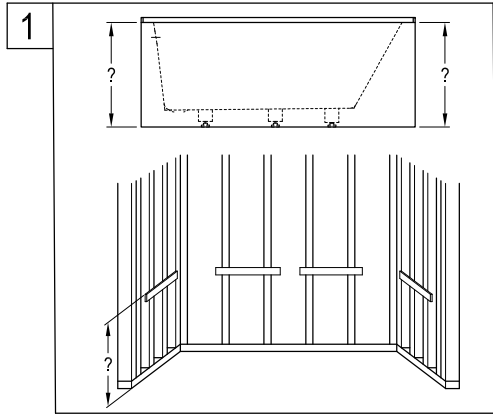
ELEMENTS OF DISTINCTIVE STYLE

## INSTALLATION INSTRUCTIONS

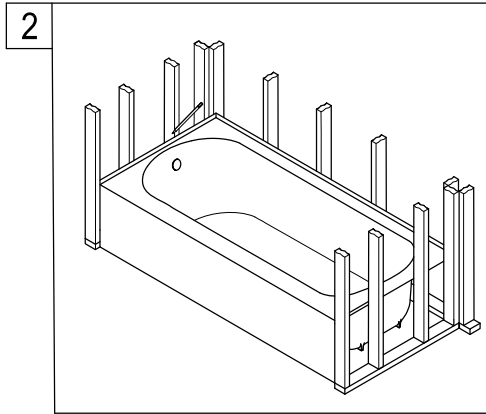
### Alcove Tub with or without Drain

#### Important points to remember before beginning installation:

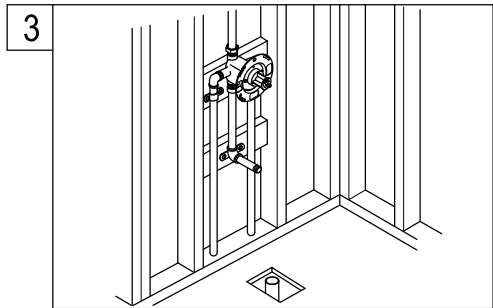
- Verify that floor is structurally sound and level, floor must be able to support the full load of the tub including water to the overflow level.
- Provide access to all plumbing connections.
- Observe all local building and plumbing codes.



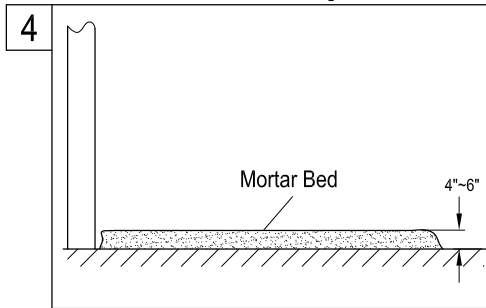
1. Prepare area by framing the area where the tub will be installed, measure the distance from the floor to the bottom of the tub lip, using that measurement attach a 1" x 4" piece of lumber on the walls where the tub will be secured.



2. Place the tub at the location where the tub will be installed, level tub on all sides, deck should be level or have a slight slope towards the tub, it might be necessary to adjust the 1" x 4" lumber supports to insure proper deck drainage, mark the location of the drain and the wall studs on the tile flange.

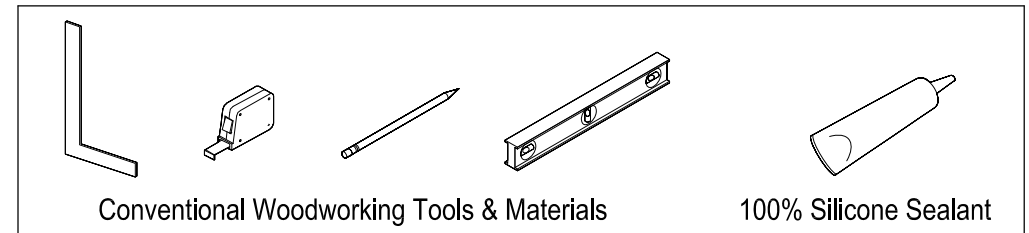


3. Remove tub and install the drain, predrill holes on tile flange at the marked location of the studs.



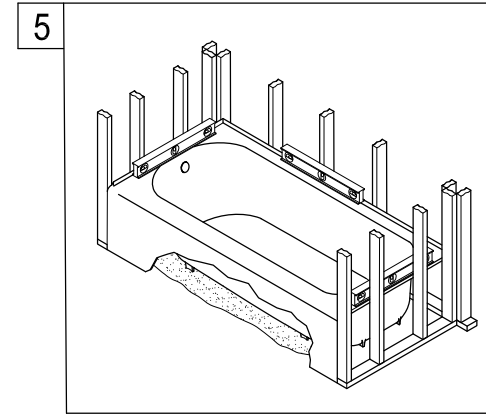
4. Pour a generous, (4" to 6") layer of mortar mix cement to the area where your tub basin will be sitting, please note that due to the tubs slope, it is necessary to apply a thicker layer on the side opposite the drain, make sure to cover the drain to prevent any mortar from falling inside, leave the area where the feet will be resting free of mortar as well.

#### Need Tools:

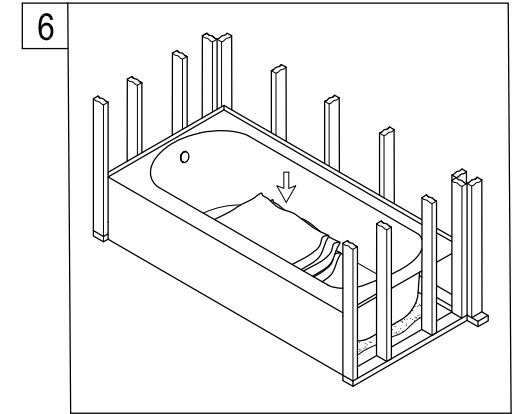


Conventional Woodworking Tools & Materials

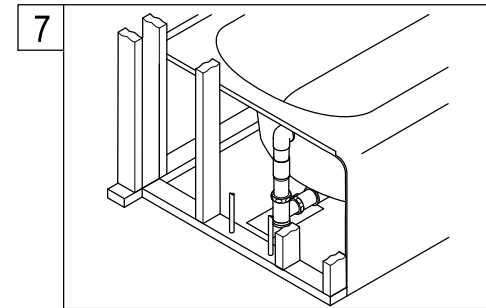
100% Silicone Sealant



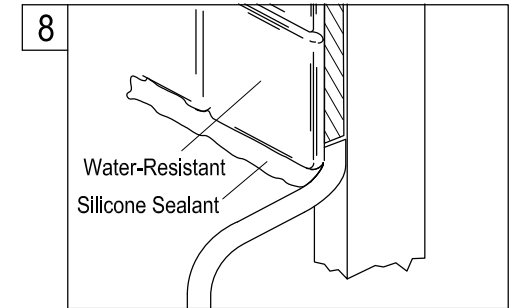
5. Set tub into place, make sure the tub is level, make sure that the mortar bed is in contact with the entire tub basin.



6. Secure to the wall with galvanized screws at the predrilled screw location, apply weight to the middle of the tub until the mortar sets.



7. Connect the tub drain to your drain system.



8. Install water resistant gypsum board and finish surface material (tile, stone) and seal all edges with silicone caulking to prevent water damage.

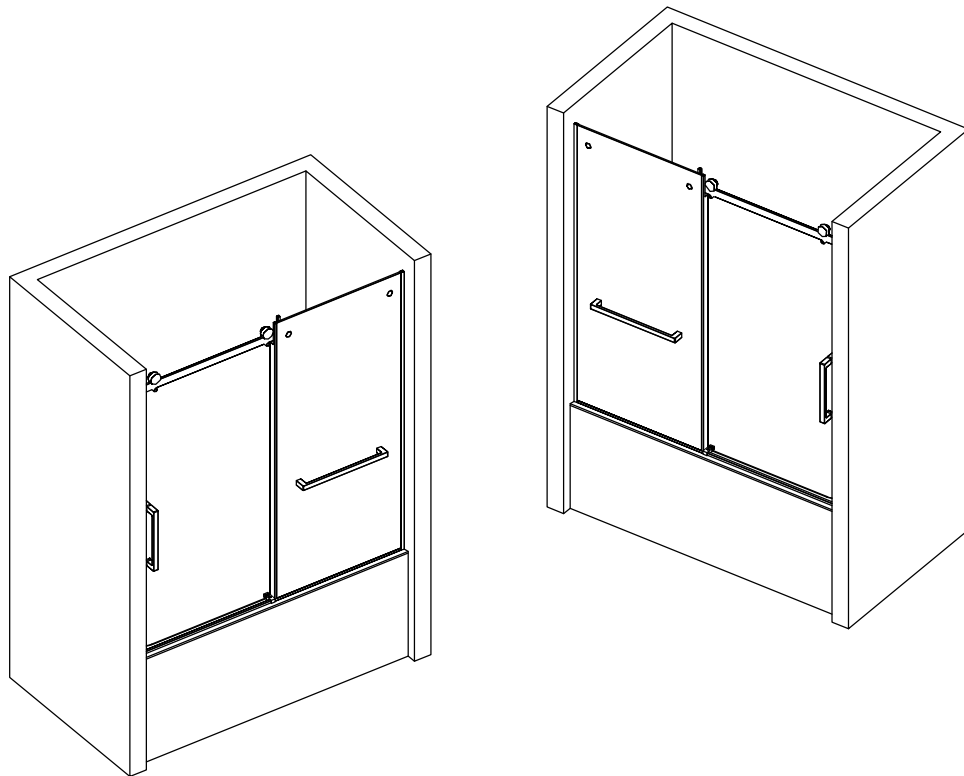
#### Cleaning

Clean with a damp cloth only.  
Avoid using metal or abrasive polishes.

# Aqua Eden

ELEMENTS OF DISTINCTIVE STYLE

## Shower Door Installation



www.kingstonbrass.com  
 TOLL-FREE CUSTOMER SERVICE: 1-877-2-KBRASS  
 TECHNICAL SUPPORT E-mail: service@kingstonbrass.com  
 12775 Reservoir Street, Chino, CA 91710



### **WARNING**

#### **Lifting hazard.**

Single person lift could cause injury. Use assistance when moving or lifting.

### **NOTICE**

Failure to follow all directions may cause leaks which may result in water damage

### **CAUTION**

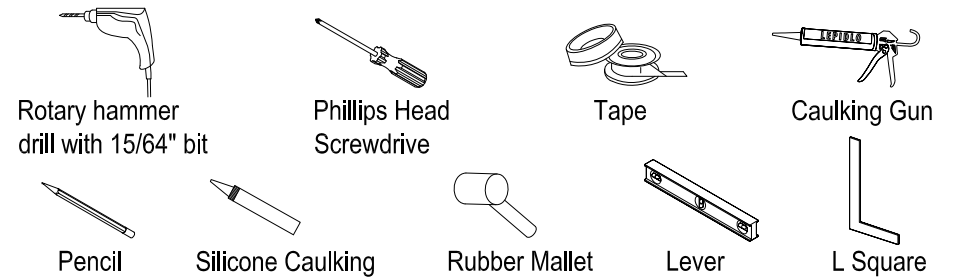
Failure to follow all installation directions may cause product to detach from the wall and cause serious injury

Please read these instructions completely before attempting installation of this product. This will ensure a safer and faster installation.

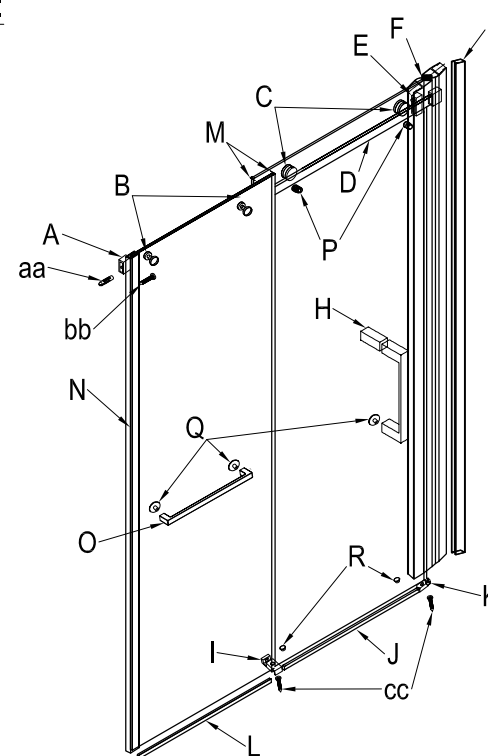
### Before Installation:

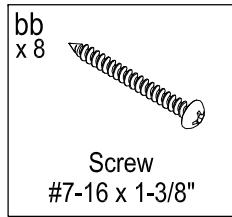
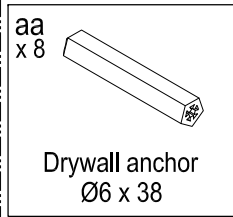
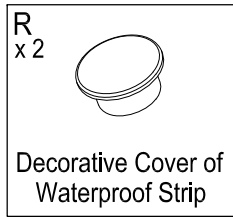
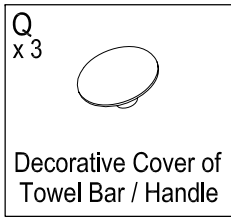
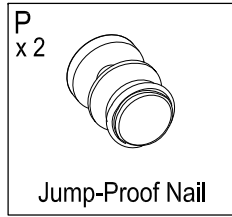
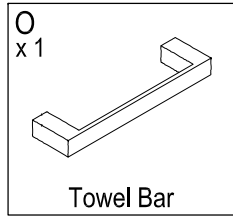
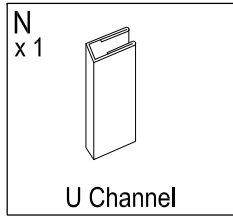
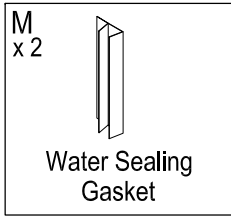
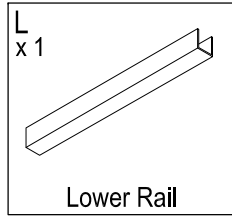
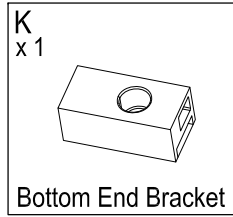
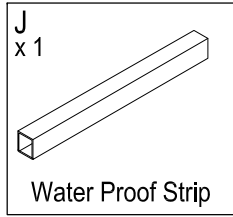
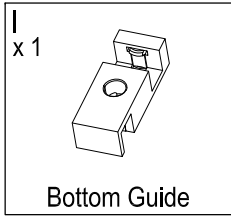
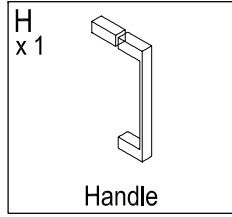
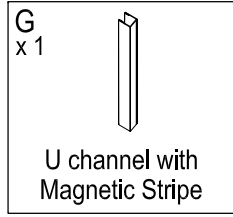
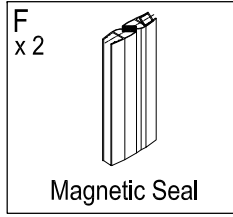
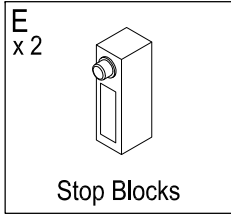
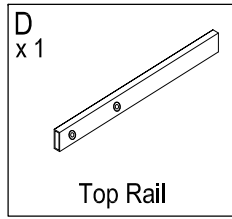
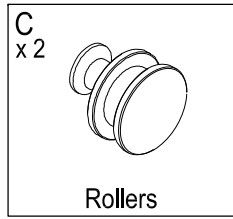
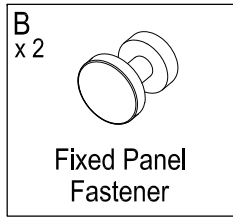
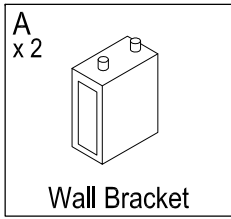
- Unpack carefully and inspect the condition of the shower door, use assembly kit guide below to check that all parts are included, call 1-877-2-KBRASS if any parts are damaged or missing.
- Because of the complexity and size of this item, it is recommended that the installation be performed by a Qualified, Licensed and Bonded professional.

### Tools for installation:

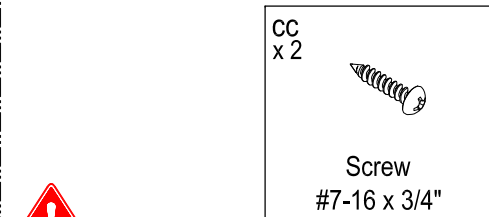


### Assembly Kit:



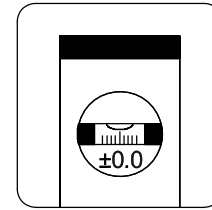
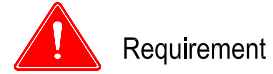


**NOTE:**  
Check all parts before installation !  
Contact the seller for any part omissions.

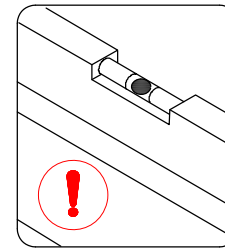
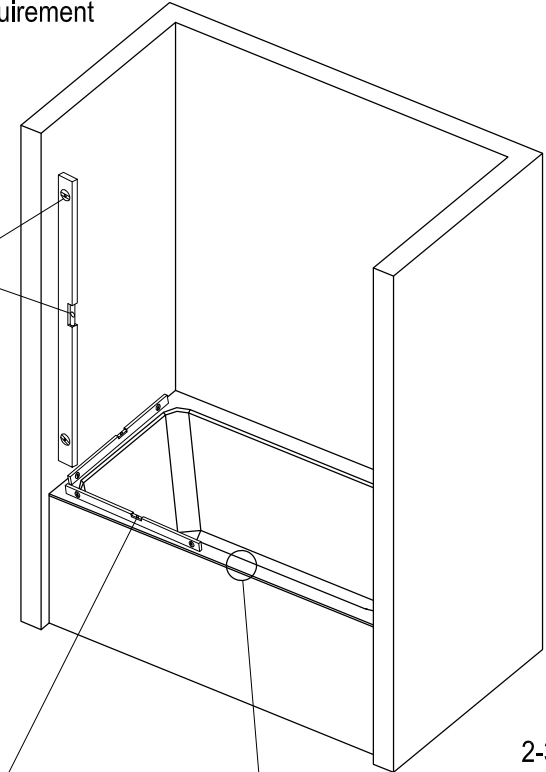


Other accessories are also included

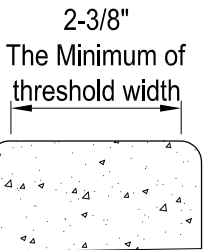
## Product installation preparation



Make sure the side walls are plumb by using a level



The threshold must be level



2-3/8"(60mm)

The Minimum of  
threshold width

### Safety Caution:

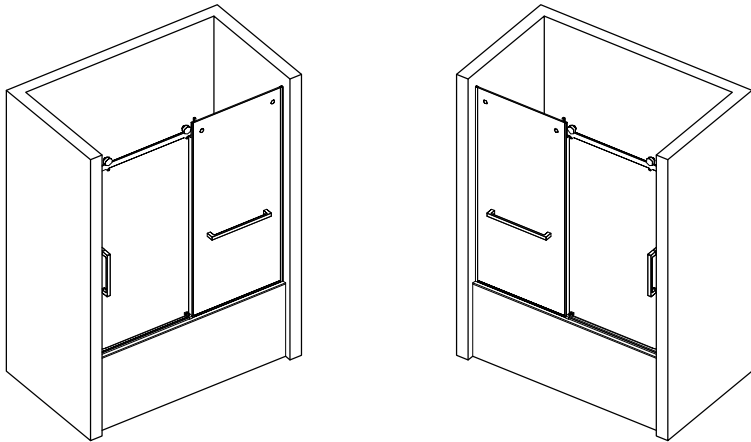
Before handling or installing this shower, please carefully read the following important safety information. Please note:

1. During the installation process, special care should be taken when handling glass, as tempered glass may shatter when colliding with a hard surface.
2. Do not cut or modify tempered glass as it will break after cutting.
3. Remove the product from the packaging carefully and keep the packaging until installation is complete.
4. Check all components for damage or loss; If there is any damage or component loss before installation, please contact customer service.
5. Cover the drainage pipe with tape to prevent losing small components.
6. During the installation process, protect the shower floor with a cloth to avoid damage.

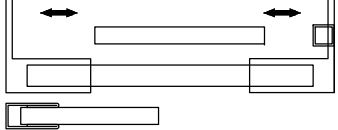
Because of the complexity and size of this item, it is recommended that the installation be performed by a Qualified, Licensed and Bonded professional.

**NOTE:** Two person handling recommended.

### Product Dimension:

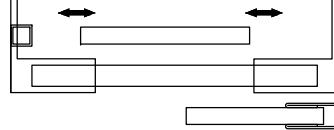


Maximum adjustment  
10mm



Open from left to right

Maximum adjustment  
10mm

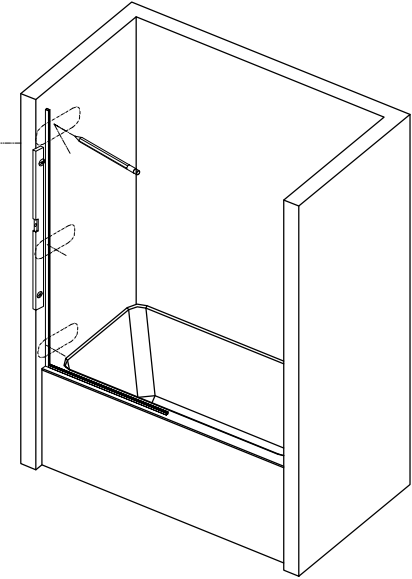
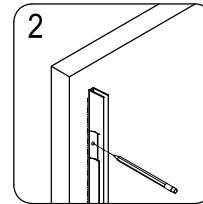
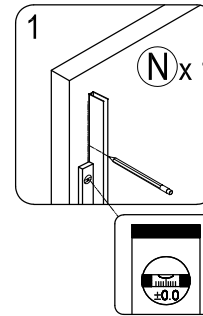


Open from right to left

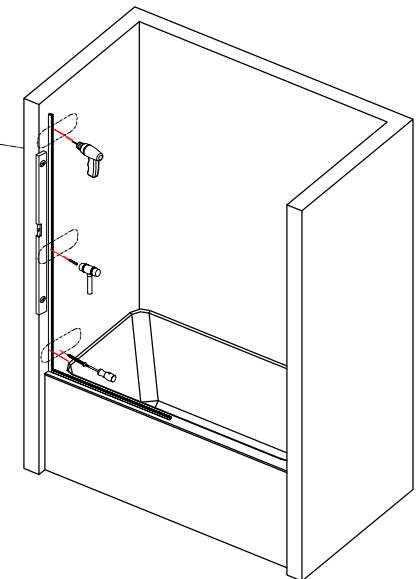
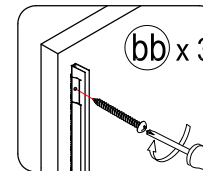
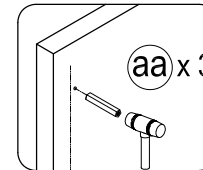
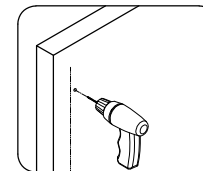
**NOTE:** The installation of right or left door of this model is interchangeable. The installation diagram of the left swing door is shown in this manual. For the installation of the right door, start from the opposite wall and reverse the direction of the installation steps.

### Installation of the fixed-glass wall rail:

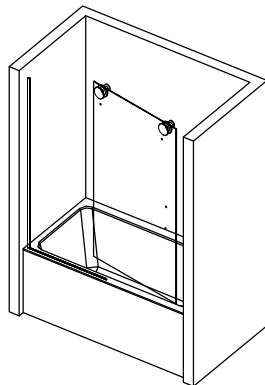
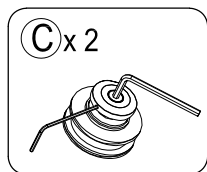
1. Using a level make sure that the wall is properly plumb, measure 7/16" from the edge of the shower base or bathtub and mark a level vertical line.
2. Place the U channel (N) and mark the location of the holes, remove U channel and drill 1/4" holes.



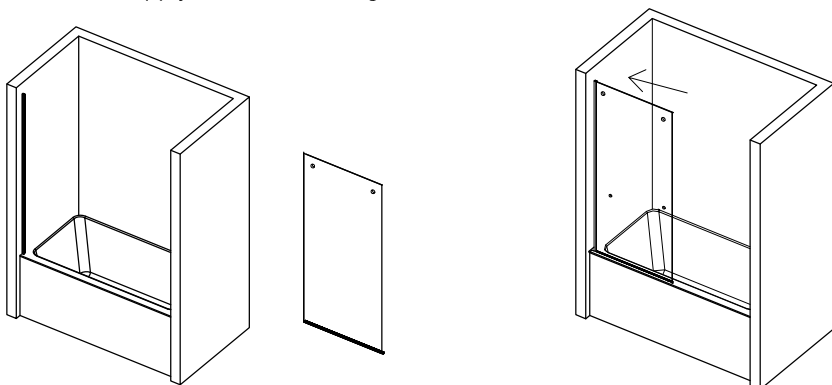
3. Insert anchors (aa) and gently tap using a rubber mallet, add a bead of silicone to the back of the U rail place the fixed panel rail at the desired location and secure with the enclosed screws (bb)



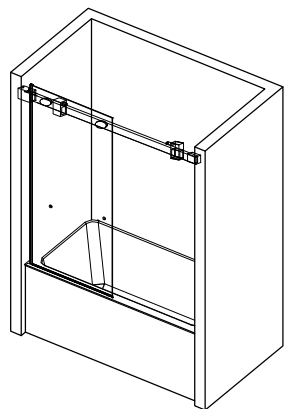
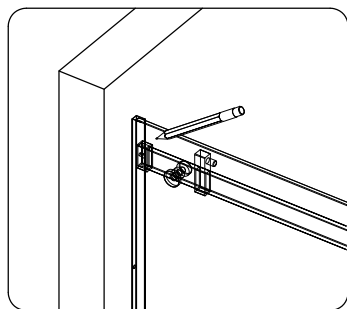
4. Attach rollers(C) to the sliding door panel and after covering the bottom of the bathtub or shower base with cardboard or a tarp, place sliding door panel inside and lean against the back wall, it will make it easier to manipulate once the fixed panel has been secured.



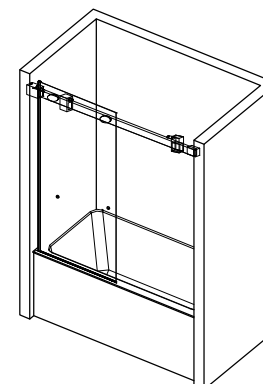
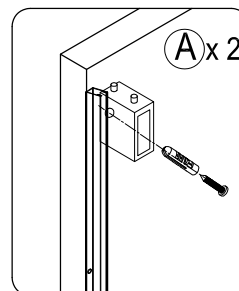
5. Slide lower rail (L) onto the bottom of the fixed glass panel and slide fixed glass panel onto the U channel (N), confirm that the fixed panel is level, you may need to add small shims, apply silicone caulking to secure lower rail.



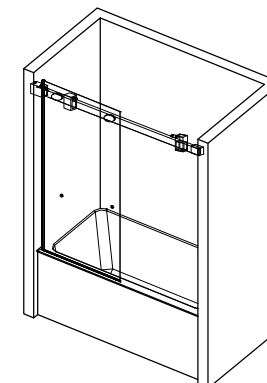
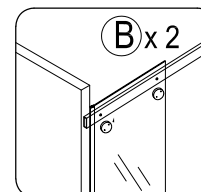
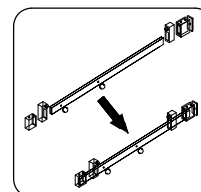
6. Attach wall brackets (A) to both ends of the top rail (D) and secure rail to fixed glass with the fixed panel fasteners (B), level top rail and mark the perimeter of both wall brackets (A).



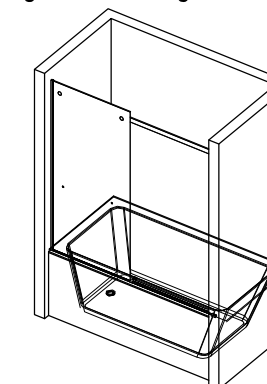
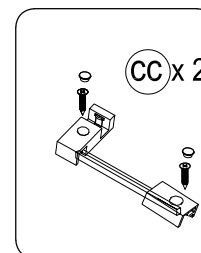
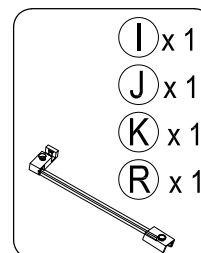
7. Remove top rail (D) from fixed glass panel and secure wall brackets (A) at the marked location by using anchors and screws.



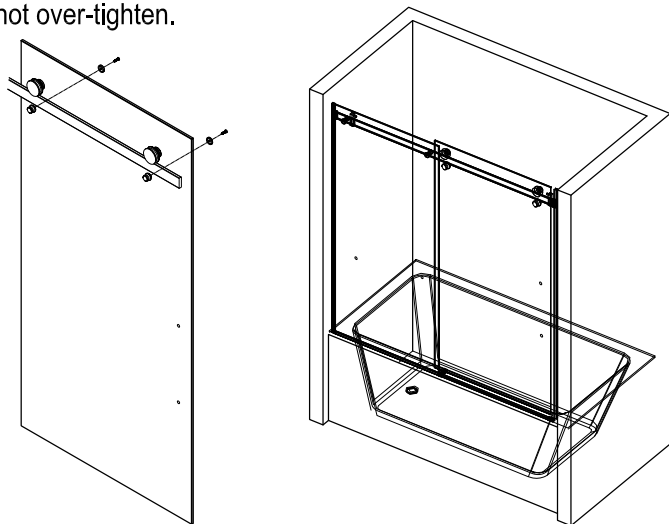
8. Insert stop blocks (E) onto the top rail and insert the top rail on the wall brackets (A) secure top rack to the Fixed glass panel by threading and tightening the fixed panel fasteners (B).



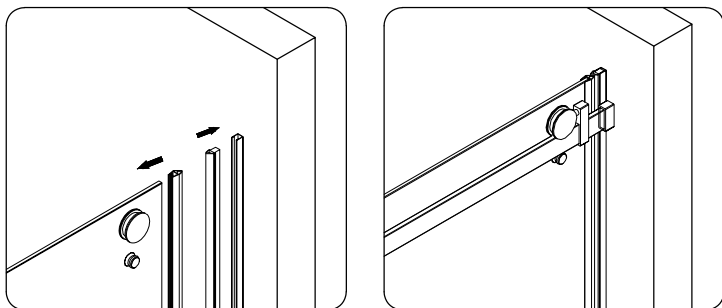
9. Insert the bottom guide (J) onto the lower rail (I) and secure it with self-tapping screw, do not tighten. Insert other end onto bracket (K) and secure with self-tapping screws (cc), then insert the decorative cover (R) over the screw and tighten bottom guide.



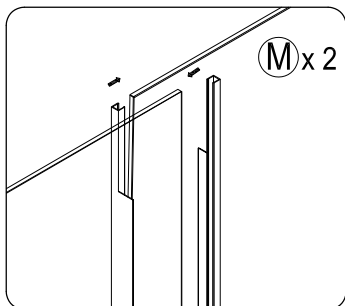
10. Lift sliding panel and place rollers on the top rail (D) while at the same time inserting the panel on the bottom guide. Insert the door panel guards (P) on the two holes below the rollers and thread, make sure to install the longer most protruding portion to the outside, do not over-tighten.



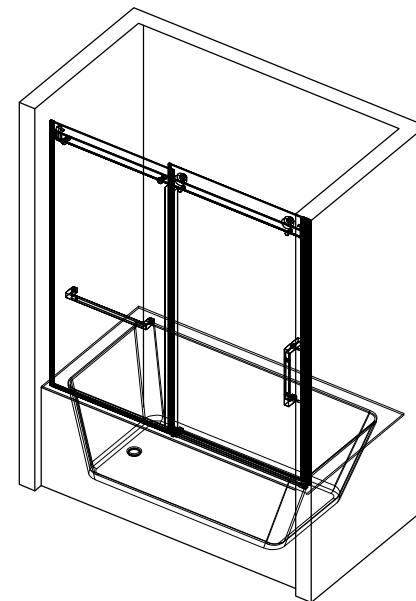
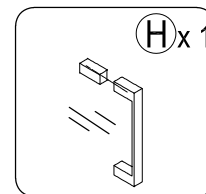
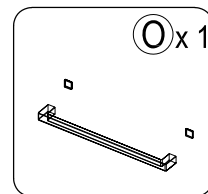
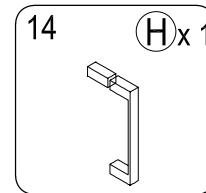
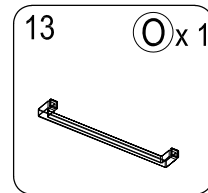
11. Using screws and after applying a bead of silicone to the back, attach the U channel at the location where the sliding door meets the wall. Insert magnetic rubber seal into U Channel.



12. Attach the water sealing gasket (M) to the fixed panel .



13. Secure the towel bar to the fixed panel and insert the decorative cover (Q) over the screw the using the included hardware.
14. Secure handle to the sliding panel and insert the decorative cover (Q) using the the included hardware.



15. Clean all the surfaces where the shower door or the hardware meets the surface of the shower base or bathtub and apply a generous bead of clear silicon caulking, wipe off any excess.



Please wait 24 to 48 hours for the silicone to cure before using the shower. Drying time depends on temperature.

