

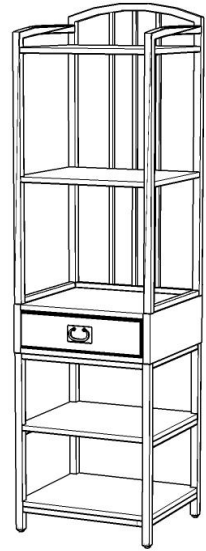
# 88 5050 13 Modern Craftsman Media Tower

## IMPORTANT NOTE

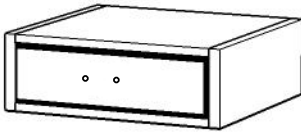
Carefully remove all the parts from the carton and put them individually on a soft cloth to prevent scratches or other damages occurring to the parts.

We have taken great care in the design of this product and request that you carefully and strictly follow our assembly instructions to ensure a completed product as it was designed.

*Home  
Styles*



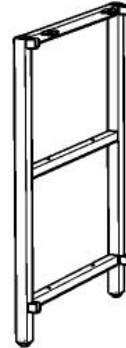
## Part List



**A.  
Cabinet**  
1 pc.



**B.  
Stretcher**  
4 pcs.



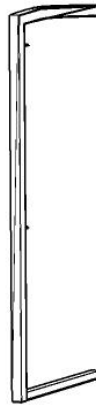
**C.  
Side Frame**  
2 pcs.



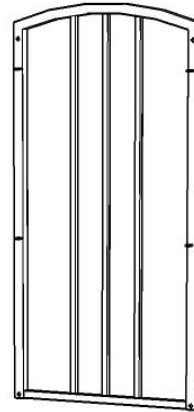
**D.  
Shelf**  
2 pcs.



**E.  
Shelf**  
2 pcs.



**F.  
Side Frame**  
2 pcs.



**G.  
Back Frame**  
1 pc.

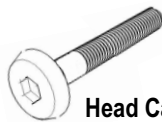
## Hardware List



**Hex Wrench**  
1 pc.



**Small  
Hex Wrench**  
1 pc.



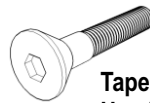
**Head Cap Bolt**  
14 pcs. (+1 extra)



**Flat Washer**  
12 pcs. (+1 extra)



**Spring Washer**  
12 pcs. (+1 extra)



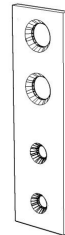
**Tapered  
Head Cap Bolt**  
4 pcs. (+1 extra)



**Wood Screw (long)**  
16 pcs. (+1 extra)



**Wood Screw (short)**  
12 pcs. (+1 extra)



**Steel Plate Connector**  
2 pcs. (+1 extra)

Tools required for assembly : **Phillips** screwdriver

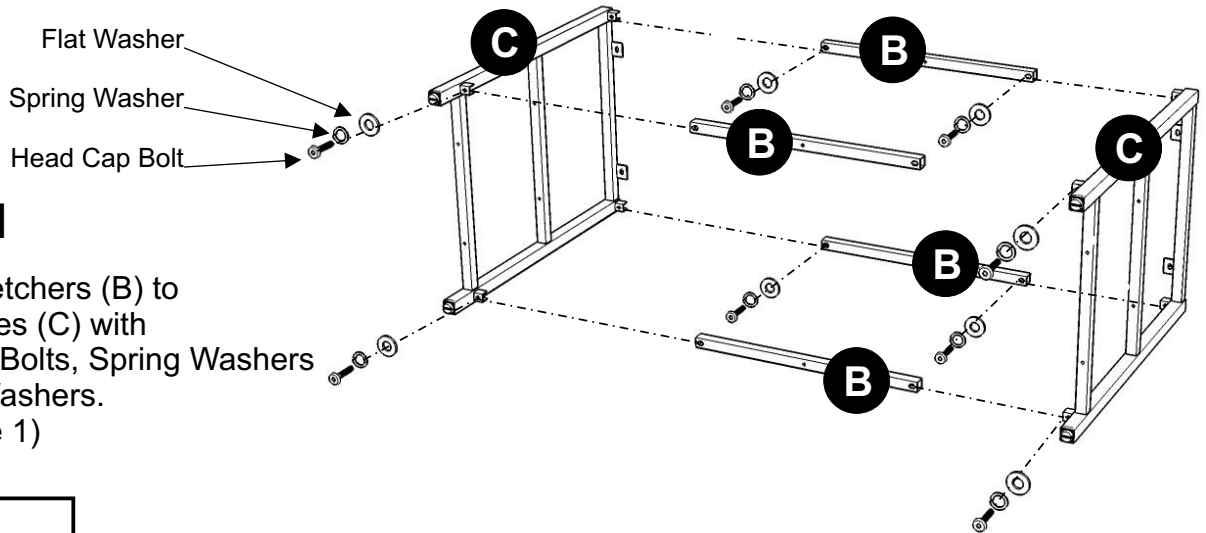
Tools recommended for assembly : Level

**Home Styles Consumer Assistance Line 888-680-7460 and 877-831-0319  
servicedesk@homestyles-furniture.com**

# Assembly Instructions 2/4

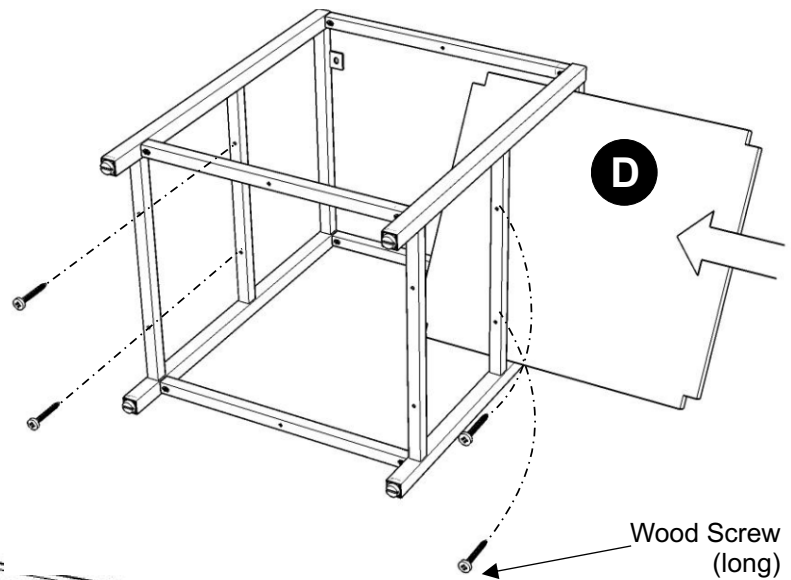
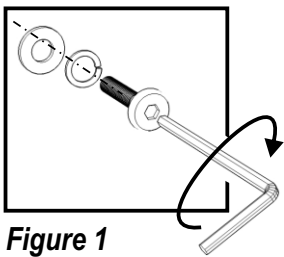
## IMPORTANT

- \* Do not tighten up all the screws until each part is properly assembled.
- \* You should keep Hex Wrench in a safe place as you may need to tighten up the Head Cap Bolts in the future.
- \* Use a soft cloth between these parts and the floor.
- \* After assembly, item must be level to work properly. Use the included adjustable levelers to level.



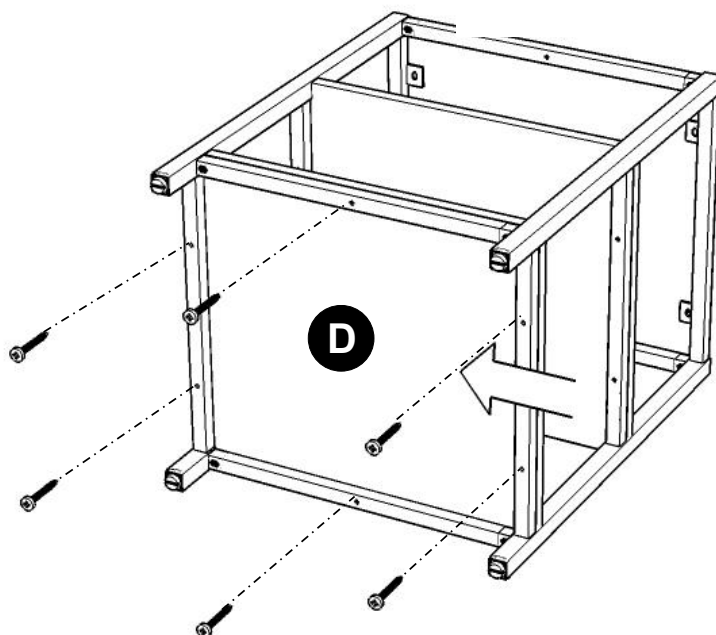
## STEP 1

Attach Stretchers (B) to Side Frames (C) with Head Cap Bolts, Spring Washers and Flat Washers.  
(See figure 1)



## STEP 2

Slide Shelf (D) into the middle of unit.  
Attach with Wood Screws (long).

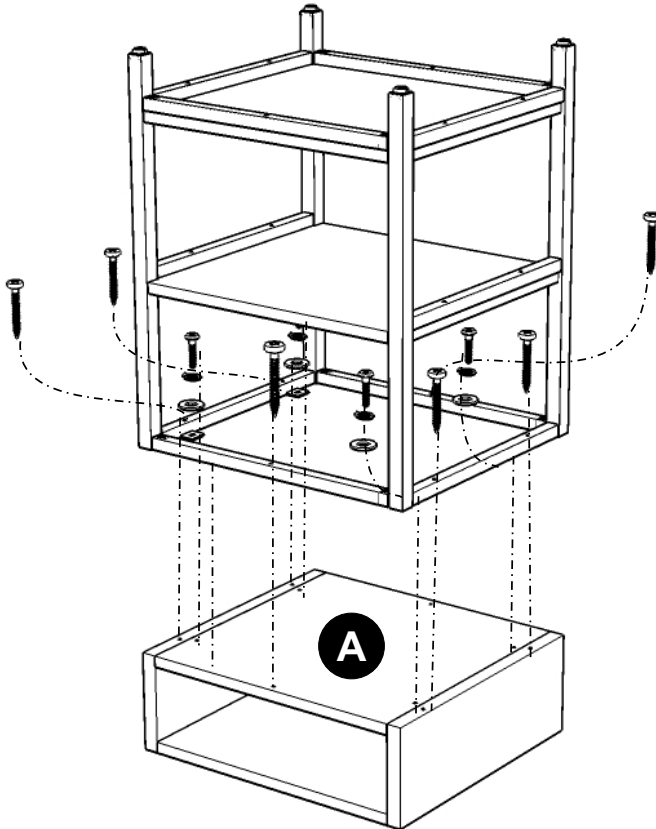
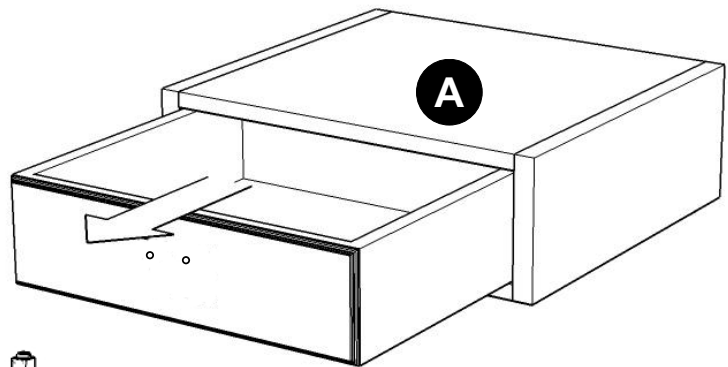


## STEP 3

Slide Shelf (D) into position.  
Attach with Wood Screws (long).

## STEP 4

Remove the drawer, then place Cabinet (A) upside down on a soft cloth.



## STEP 5

Attach unit onto Cabinet (A) with Wood Screws (long), Head Cap Bolts, Spring Washers and Flat Washers.

## STEP 6

Remove the Pull Handle that is installed on the inside of the drawer and re-install it on the outside of the drawer. (See figure 2)

Turn the unit over to its' upright position.

Slide the drawer into position.

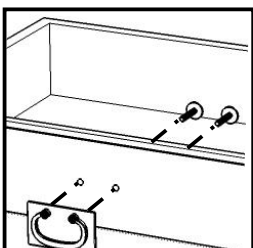
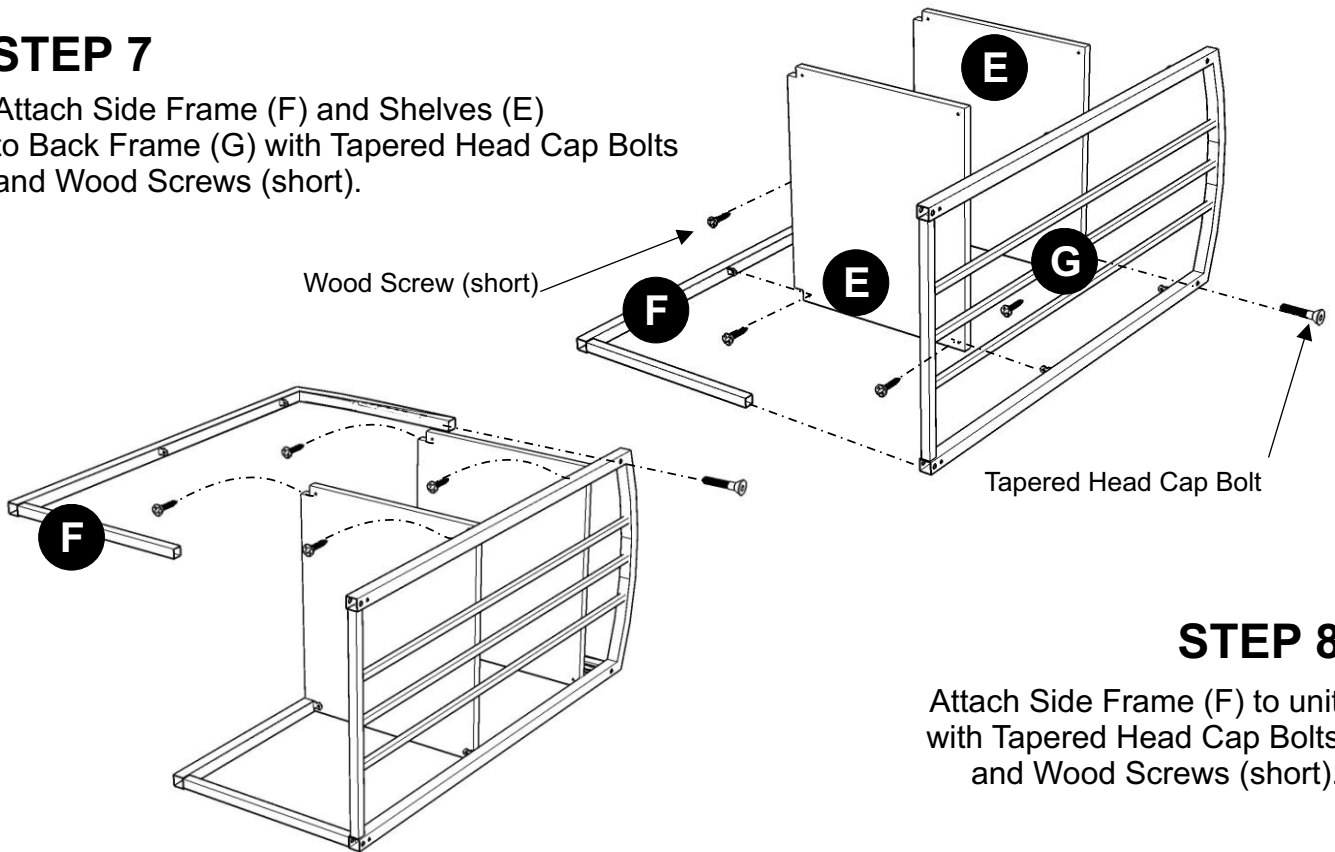


Figure 2



## STEP 7

Attach Side Frame (F) and Shelves (E) to Back Frame (G) with Tapered Head Cap Bolts and Wood Screws (short).



## STEP 8

Attach Side Frame (F) to unit with Tapered Head Cap Bolts and Wood Screws (short).

## STEP 9

Place upper unit onto base unit.

Attach Steel Plant Connectors to unit with Head Cap Bolts, Tapered Head Cap Bolts and Wood Screws (short).

To level the unit, adjust the adjustable levelers on the bottom of unit. (See figure 3)

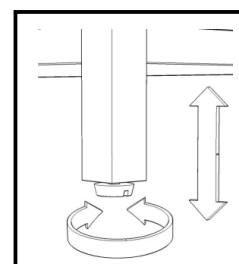
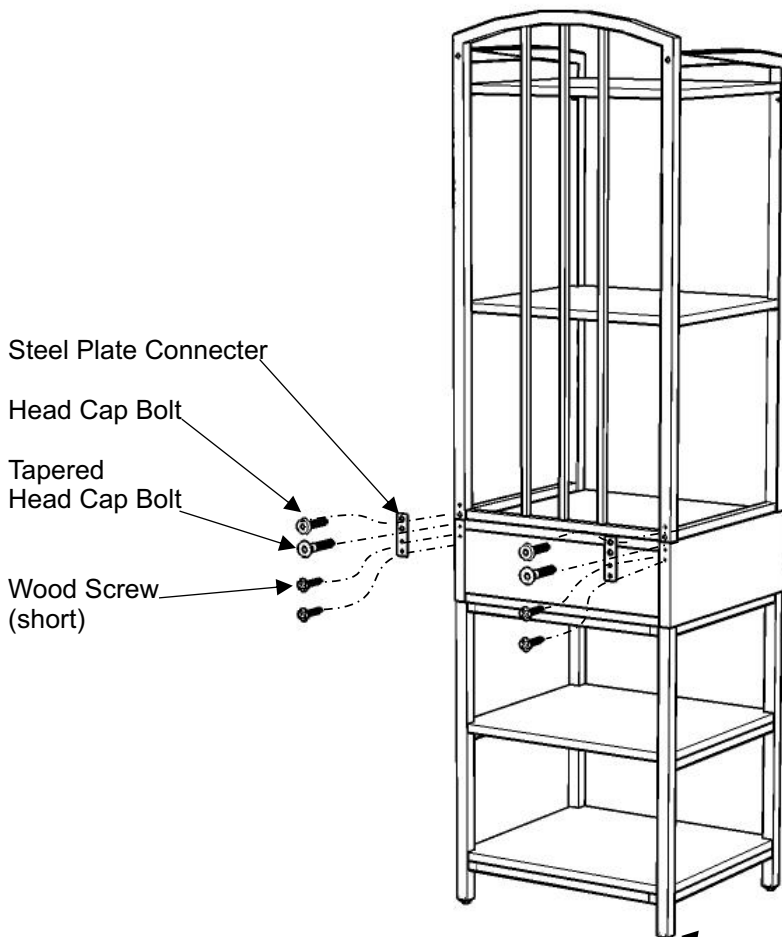


Figure 3