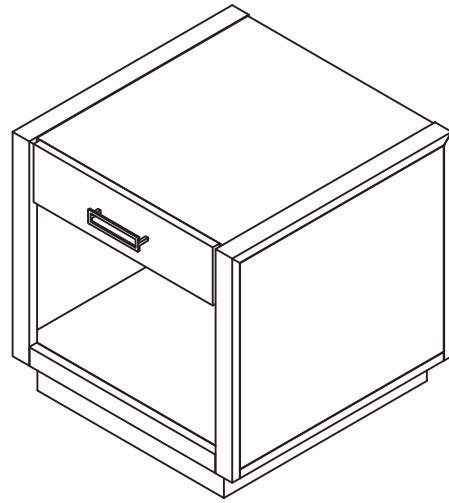


End Table



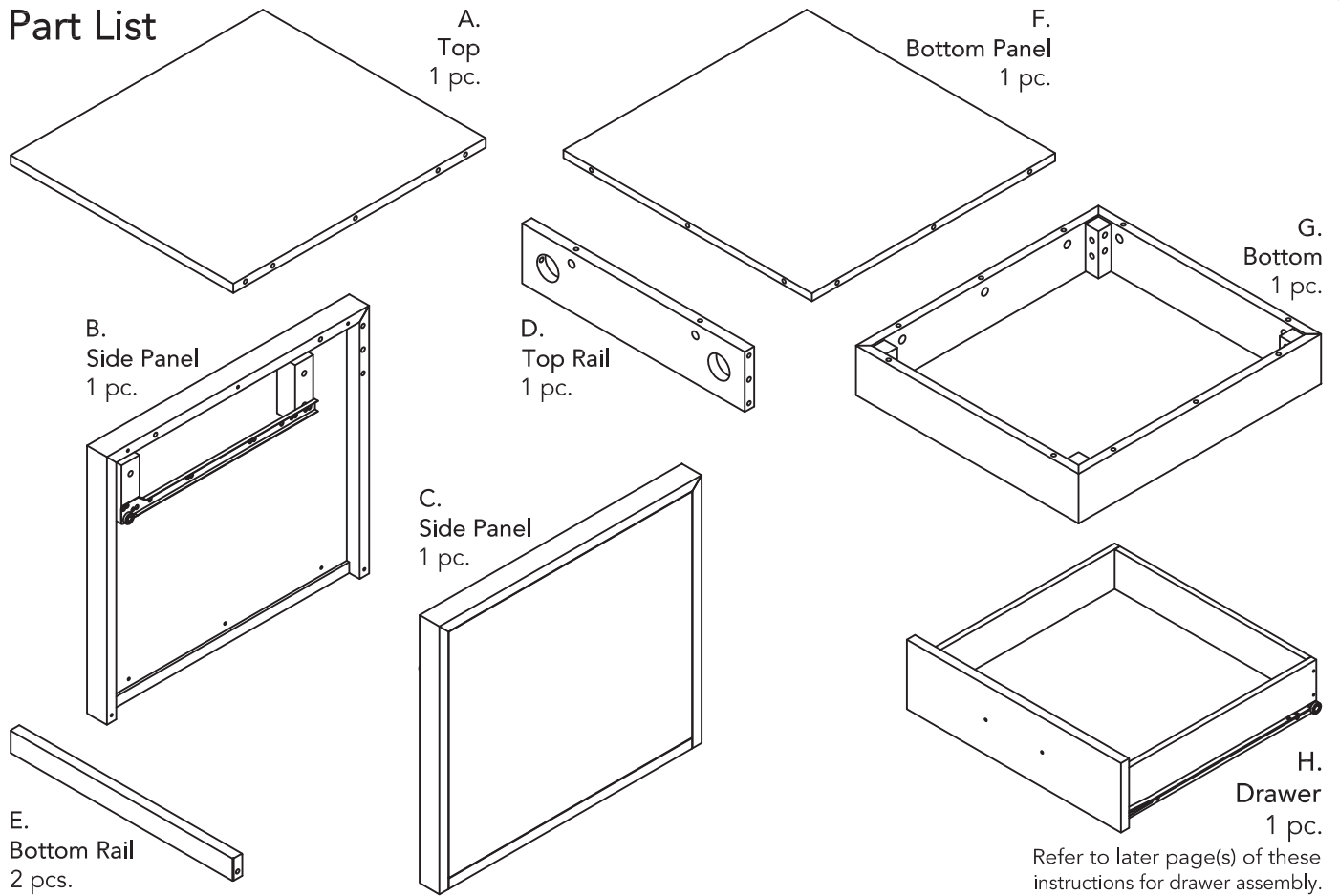
IMPORTANT

Carefully remove all the parts from the carton and place them individually on a soft cloth to prevent scratches or other damage.

Carefully and strictly follow these assembly instructions to ensure a completed product as designed.

Do not use power tools above 8 volts to assemble.

Part List



Hardware List



Cam Lock
34 pcs. (+4 extra)



Cam Lock Screw
34 pcs. (+4 extra)



M3x32
1 1/4" Flat Head Screw
8 pcs. (+1 extra)



M3x19
3/4" Flat Head Screw
4 pcs. (+1 extra)



M6x80
Bolt
2 pcs. (+1 extra)



Flat Washer
2 pcs. (+1 extra)



Spring Washer
2 pcs. (+1 extra)



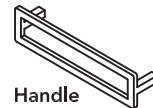
Nut
2 pcs. (+1 extra)



Wrench
1 pc.



5/32"x1"
Machine Screw
2 pcs.



Handle
1 pc.



Dowel
8 pcs. (+1 extra)

Tool(s) required for assembly: Phillips screwdriver, Level

Home Styles Customer Service: www.homestyles-furniture.com,
servicedesk@homestyles-furniture.com, 888-680-7460, 877-831-0319

Assembly Instructions 2/7

IMPORTANT

- Use a soft cloth between these parts and the floor.
- Do not use power tools above 8 volts to assemble.
- Do not tighten all the screws until each part is properly assembled.
- The unit must be level to work properly. Use the included adjustable levelers to level.
- Keep Wrench as the Nuts may need to be tightened in the future.

STEP 1

Insert Cam Lock Screws into pre-drilled holes in Top (A), Side Panels (B), (C), Bottom Rails (E) and Bottom Panel (F), then tighten.

Insert Bolts into pre-drilled holes in Side Panels (B) and (C), then tighten.

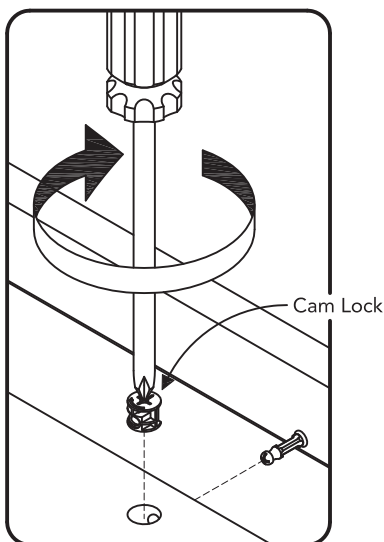
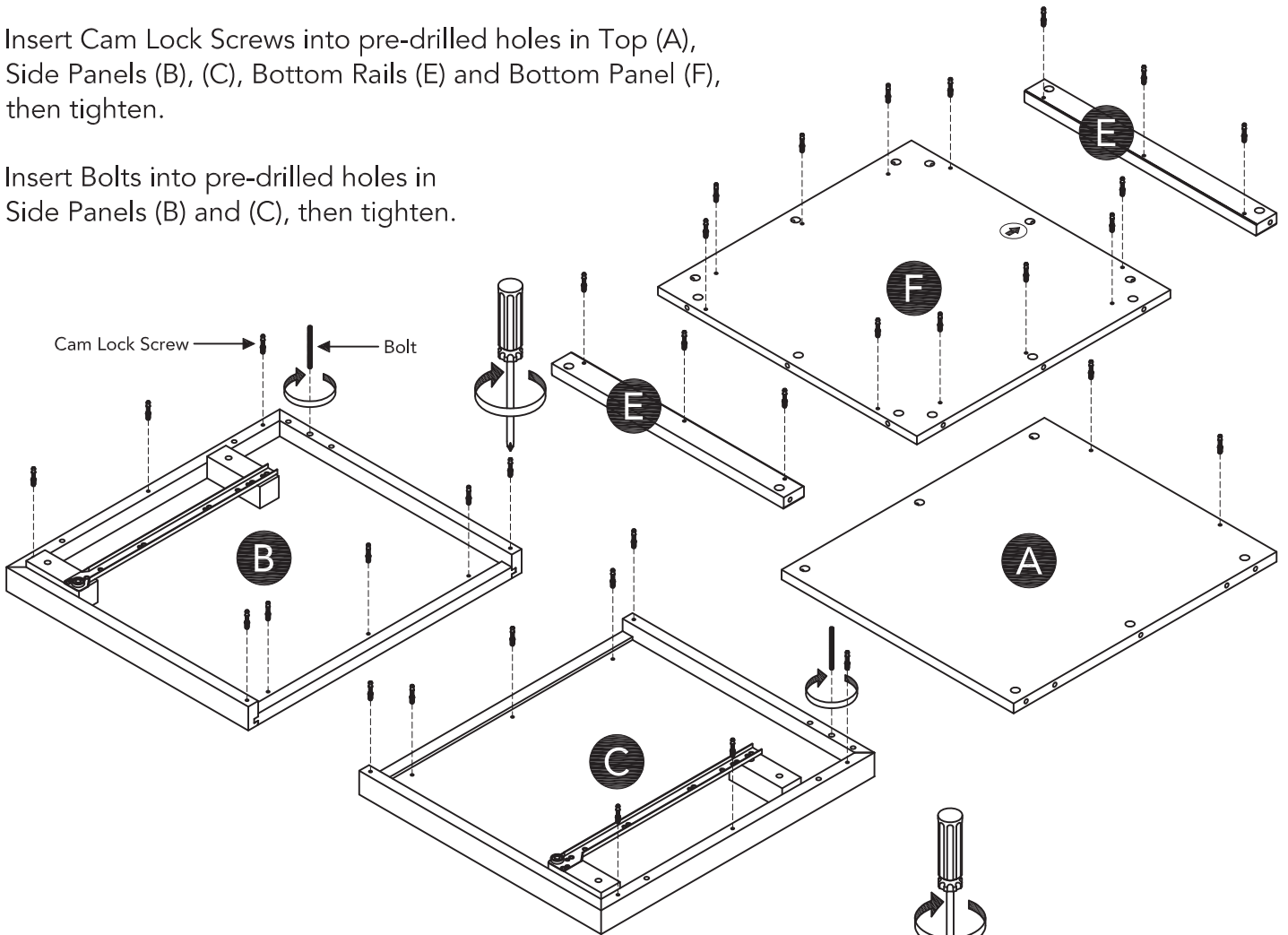
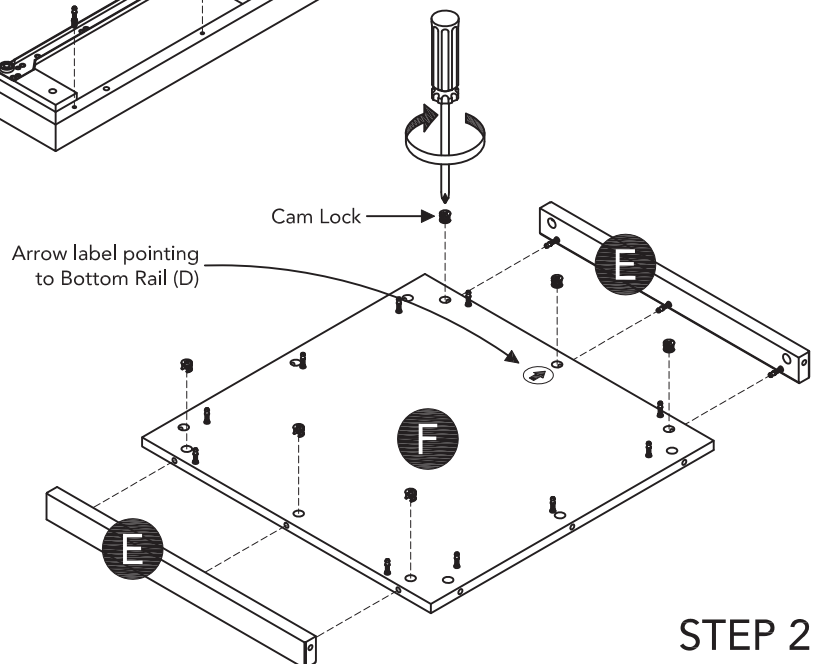


Figure 1

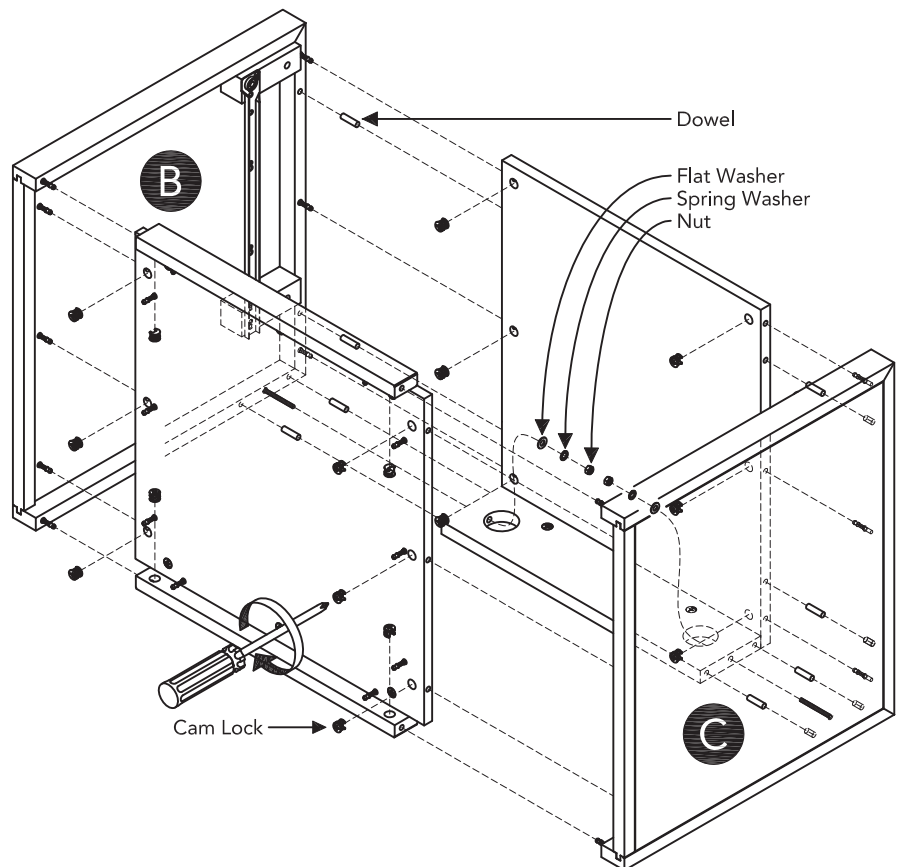
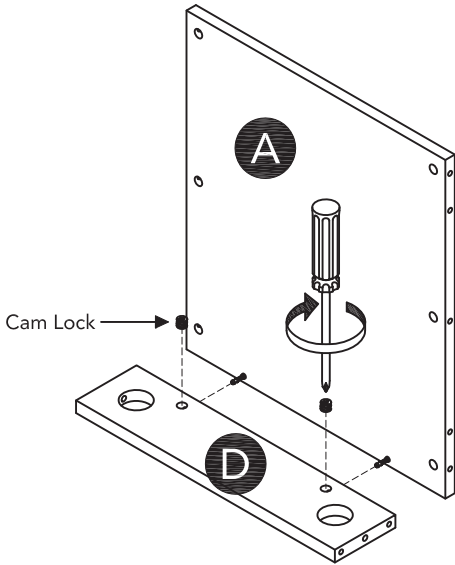


STEP 2

With Arrow label pointing to Bottom Rail (E), attach Bottom Rails (E) to Bottom Panel (F) with Cam Locks. (See Figure 1)

STEP 3

Attach Top Rail (D) to Top (A) with Cam Locks.



STEP 4

Attach unit from Step 2 and unit from Step 3 to Side Panel (B) with Dowels, Cam Locks, Flat Washer, Spring Washer and Nut.

Attach Side Panel (C) to unit with Dowels, Cam Locks, Flat Washer, Spring Washer and Nut.

Tighten Nuts with Wrench.
(See Figure 2)

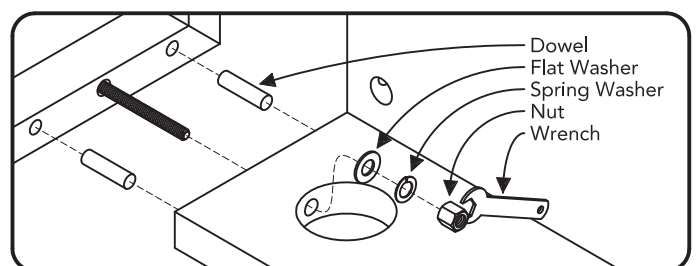
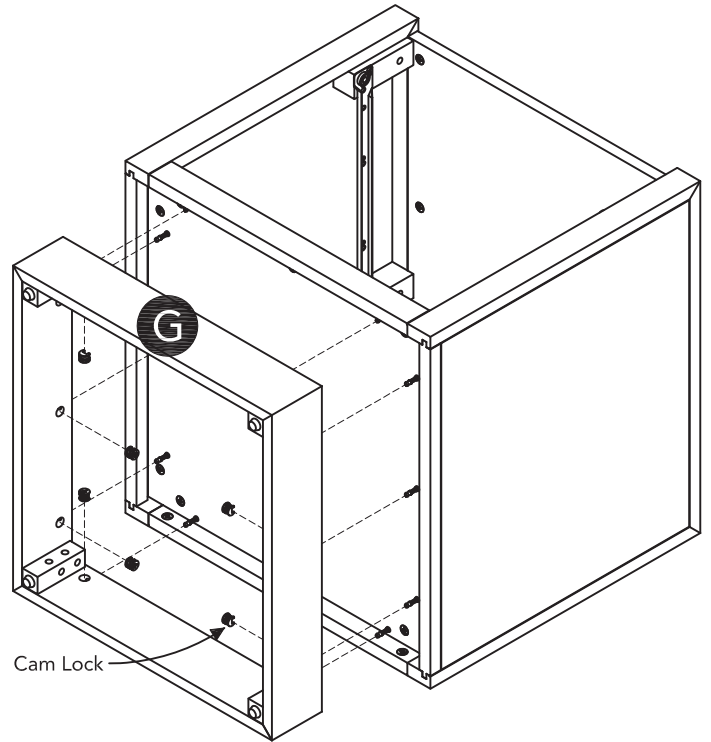


Figure 2

Assembly Instructions 4/7

STEP 5

Attach Bottom (G) to unit with Cam Locks.



STEP 6

Turn unit to its upright position.

Level unit by adjusting the adjustable levelers on bottom of unit. (See Figure 3)

Note: Unit must be level to work properly.

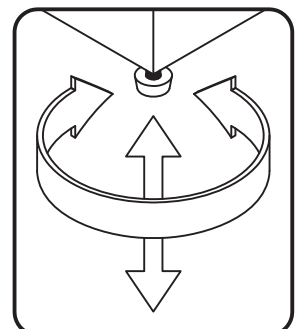
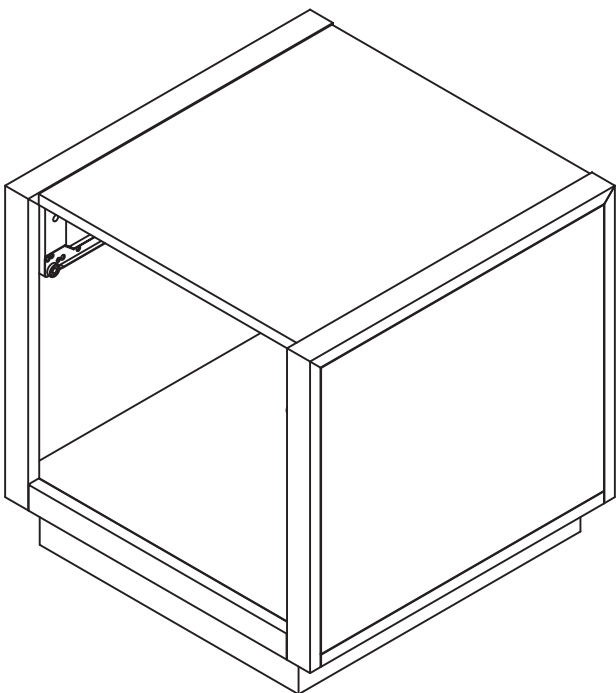
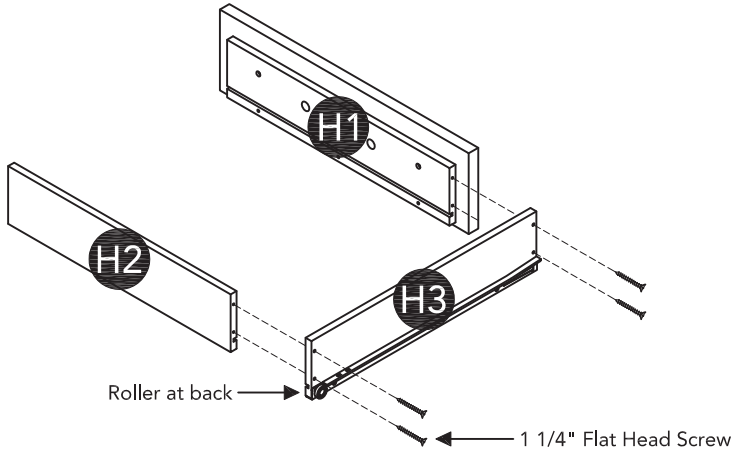


Figure 3

Assembly Instructions 5/7

Drawer (H)



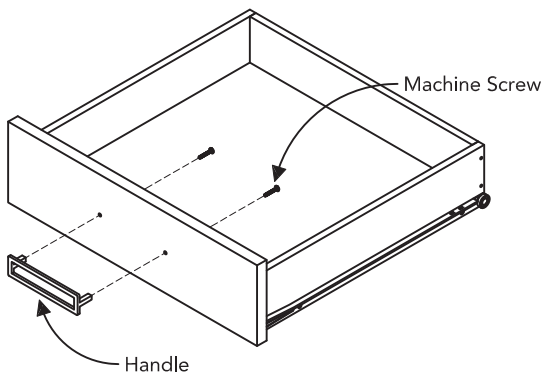
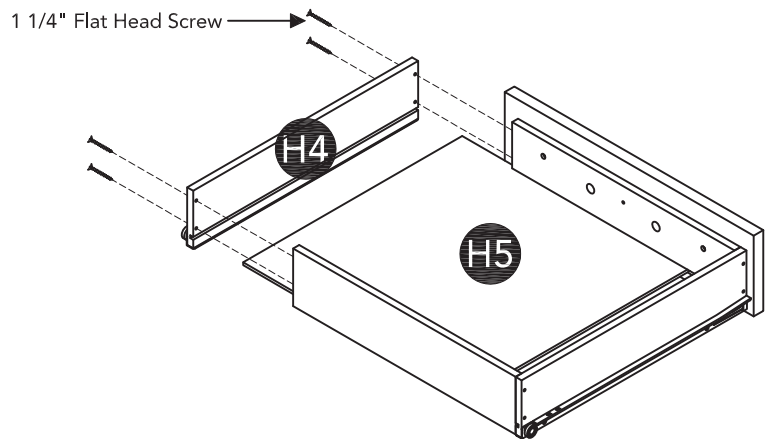
STEP 7

Attach Drawer Side (H3) to Drawer Front (H1) and Drawer Back (H2) with 1 1/4" Flat Head Screws.

STEP 8

Insert Drawer Bottom (H5) into groove.

Attach Drawer Side (H4) to unit with 1 1/4" Flat Head Screws.

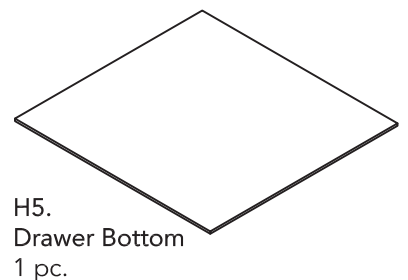
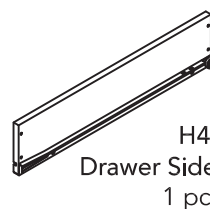
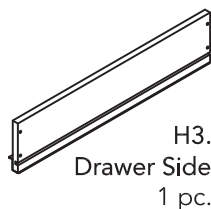
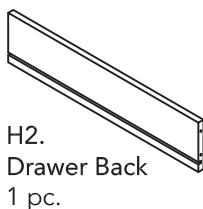
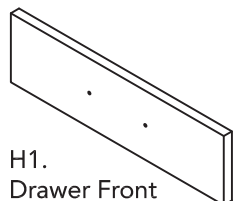


STEP 9

Attach Handle with Machine Screws.

Note: Drawer assembly is not complete until 3/4" Flat Head Screws are installed in a later step.

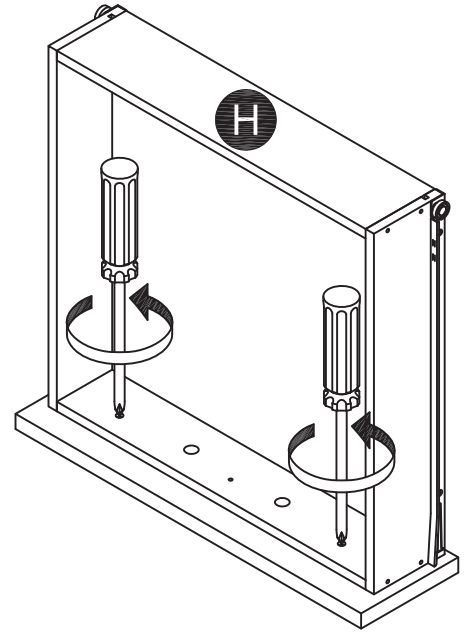
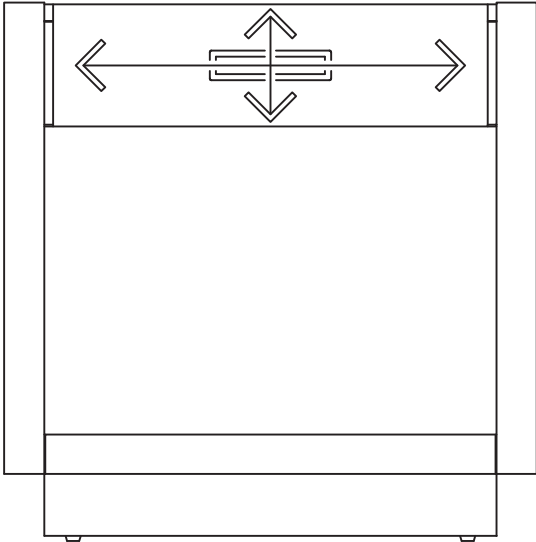
Part List



Assembly Instructions 6/7

STEP 10

Loosen slightly screws pre-installed on back of drawer front.



STEP 11

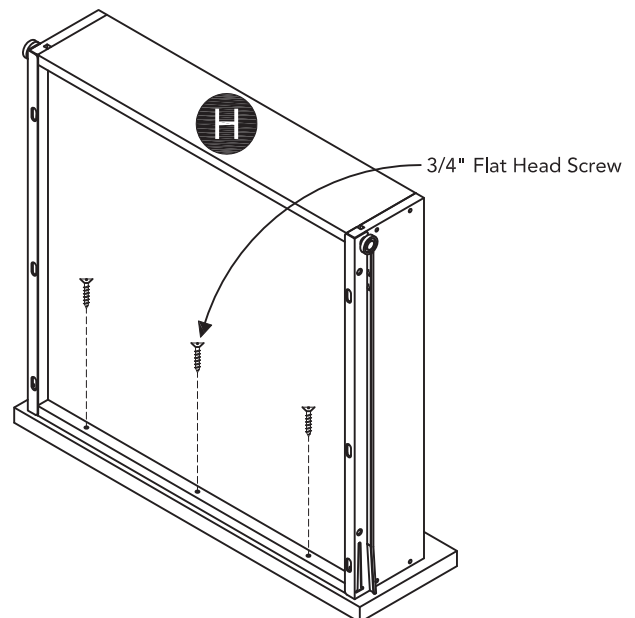
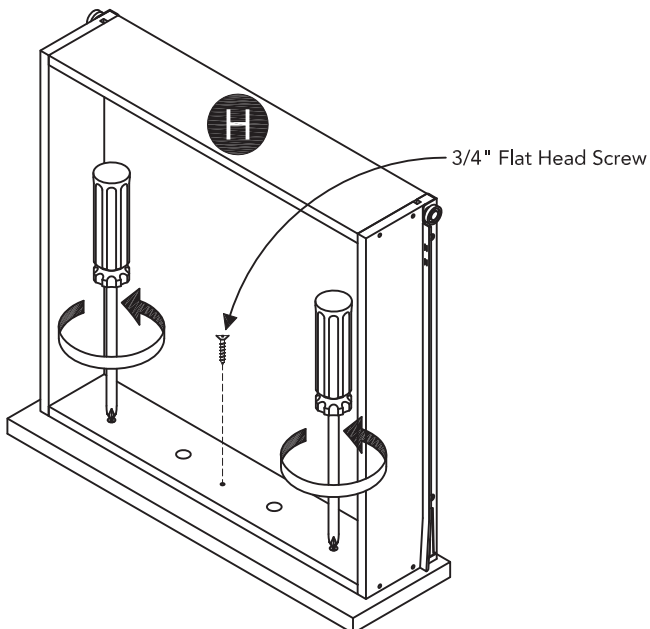
Insert drawer into unit, then adjust drawer front panel left or right and up or down until drawer gaps look proportional.

STEP 12

Pull drawer open slowly, then re-tighten screws from Step 10.

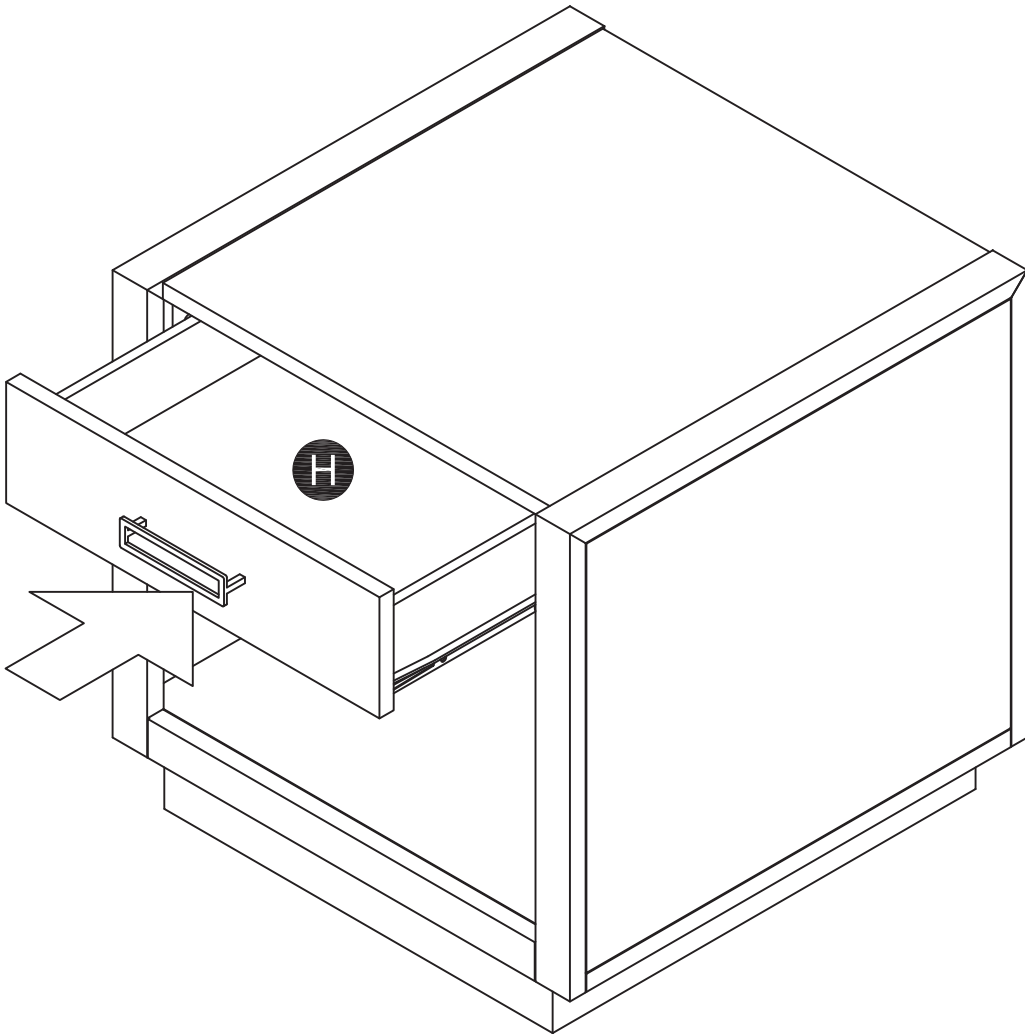
Make sure drawer front panel does not move and lock drawer front panel into position with 3/4" Flat Head Screws.

Note: These 3/4" Flat Head Screws must be installed to complete the drawer assembly.



STEP 13

Slide Drawer (H) into position.



CARE INSTRUCTIONS

NEVER

allow liquids to remain on furniture.
Absorption causes parts to warp
and split and finishes to delaminate.

NEVER

use glass cleaners on
finished furniture. Ammonia
chemically attacks the finish.



Do not use power tools
above 8 volts to assemble.

**PREVENT
CRACKING**



Do not place
in direct sunlight.

**PREVENT
FADING**



Do not write
directly on surface.

**PREVENT
MARKING**



Do not place hot
objects on surface.

**PREVENT
FINISH DAMAGE**



Do not use rubber
based placemats.

**PREVENT
DISCOLORING**



Do not use commercial
waxes and polishes.

**PREVENT
YELLOWING**

CLEAN

with a soft cloth moistened
in lukewarm soap and water.
Buff with a dry clean cloth.



Home Styles will provide replacements free of charge for missing or damaged hardware or parts within 30 days of purchase. Digital images of the defective parts may be required. If the product was not purchased from an authorized retail affiliate, Home Styles is under no obligation to provide replacement parts. Parts are not available for fully assembled items nor are parts available for sale. Replacements for missing or damaged hardware or parts may be requested at:

www.homestyles-furniture.com/customer-service/replacement-parts

Home Styles Customer Service: www.homestyles-furniture.com,
servicedesk@homestyles-furniture.com, 888-680-7460, 877-831-0319