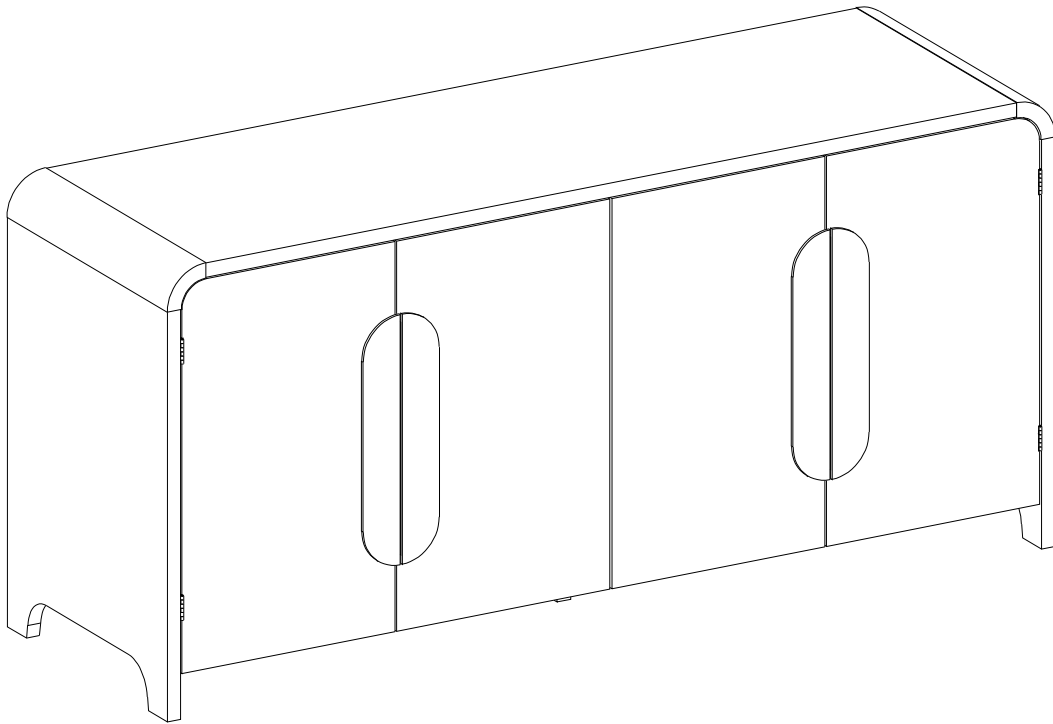


**WALKER EDISON**  
TM

# Chantelle 64" Sideboard

SKU# WECHA11644



**For Residential Use Only**

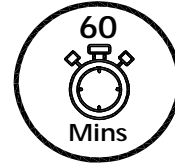
Please visit our website for the most current instructions, assembly tips, report damage, or request parts. [www.walker-edison.com](http://www.walker-edison.com)



# Time to get started

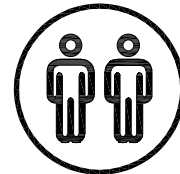
Set up a clean and soft workplace to get started and avoid damage during the assembly. It also helps to double-check you've got all the pieces and parts before diving in to assembly.

## Estimated time for assembly



## People recommended for assembly

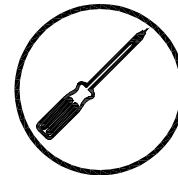
Make it a team effort! Grab a friend for quicker, easier assembly.



2 People Build

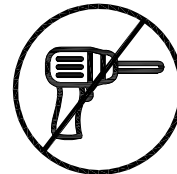
## Tools Needed

Grab a Phillips head screwdriver to conquer this assembly



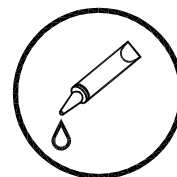
## Use power tools with caution

You can cause cracking or damage to the material and easily strip the hardware. If you choose to use a power tool, your product will no longer be covered under Walker Edison' warranty.



## Glue is provided to secure wood dowels in place

When inserting dowels, locate the appropriate hole, place a small amount of glue in the hole, and then insert the dowel. Wipe away excess glue immediately.

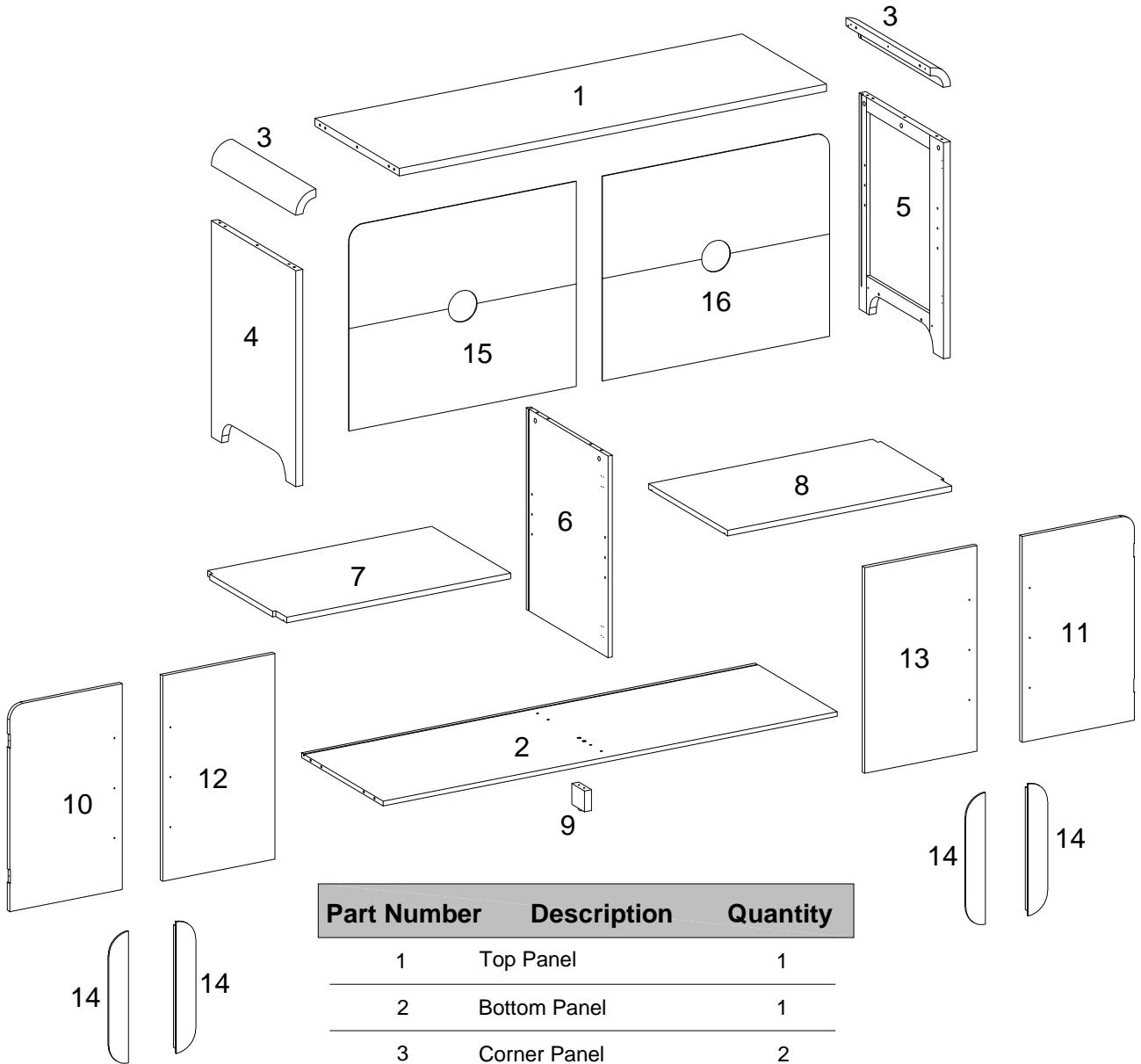


Chantelle

**Scan to get assembly tips and help!**




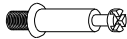



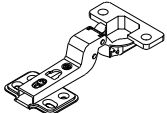
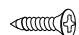
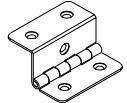

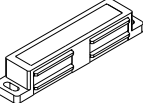
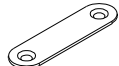
# Parts List



Part Number	Description	Quantity
1	Top Panel	1
2	Bottom Panel	1
3	Corner Panel	2
4	Left Panel	1
5	Right Panel	1
6	Center Panel	1
7	Left Adjustable shelf	1
8	Right Adjustable shelf	1
9	Center Foot	1
10	Left Door	1
11	Right Door	1
12	Left Center Door	1
13	Right Center Door	1
14	Door Pulls	4
15	Left Back Panel	1
16	Right Back Panel	1

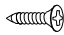

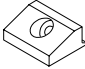
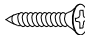
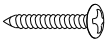
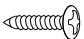
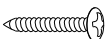


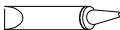


# Hardware List

Part	Size	Name	Quantity
A	 8x30mm	Wooden dowel	16
B	 6x35mm	Cam bolt	18
C	 15x11mm	Cam lock	18
D	 30mm	Sticker	18
E	 6x50mm	Bolt	4
F	 M4x57mm	Hex Key	1
G	 35mm	Hinge	4
H	 4x14mm	Screw	24
J		Hinge	4
K	 3x12mm	Screw	20
L		Door stopper	2
M	 3x14mm	Screw	4
N	 5x8mm	Metal Piece	4



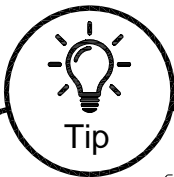
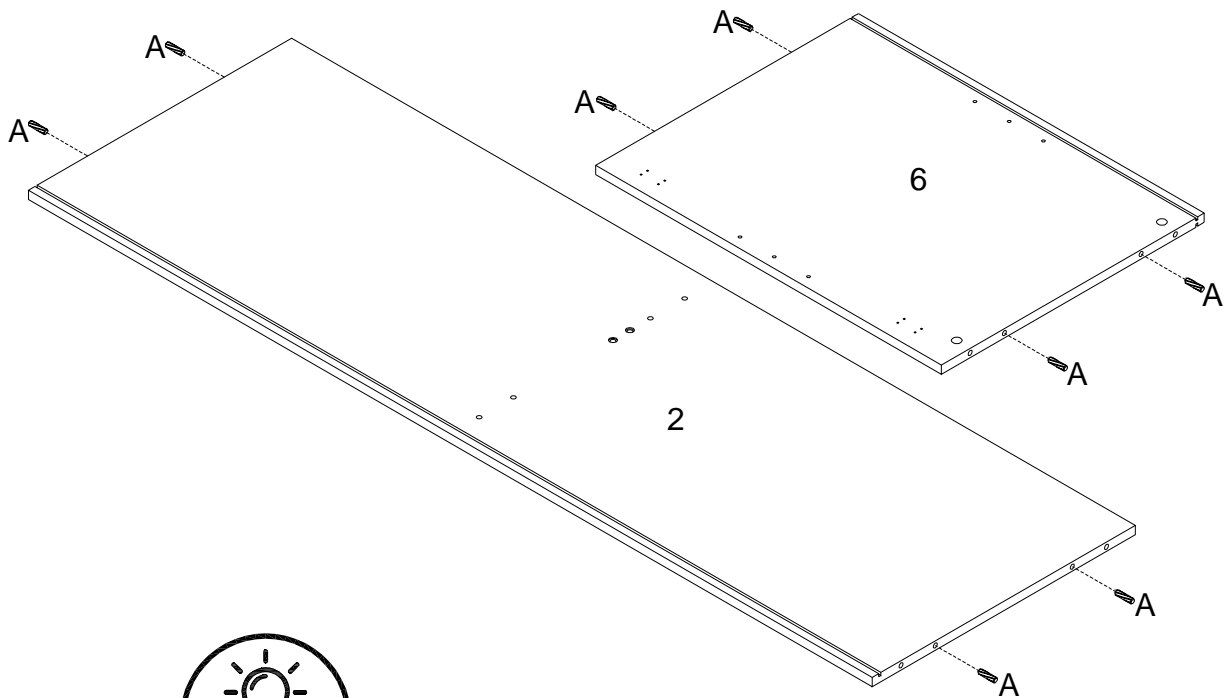
# Hardware List

Part	Size	Name	Quantity
P	 3x12mm	Screw	8
Q	 8x5x16mm	Shelf support pin	8
R		Plastic wedge	16
S	 3x17mm	Screw	16
T	 4x25mm	Screw	12
U	 4x12mm	Screw	2
W	 4x25mm	Screw	2
X		Plastic strap	2
Y		Wall Anchor	2
Z		Glue tube	1

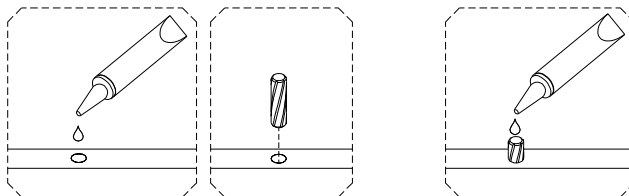
*The hardware quantities listed above are required for proper assembly.  
Extra hardware pieces may be included.*

# Step 1

Insert Wooden Dowels (A) into the Bottom Panel (2) and the Center Panel (6).



Tip

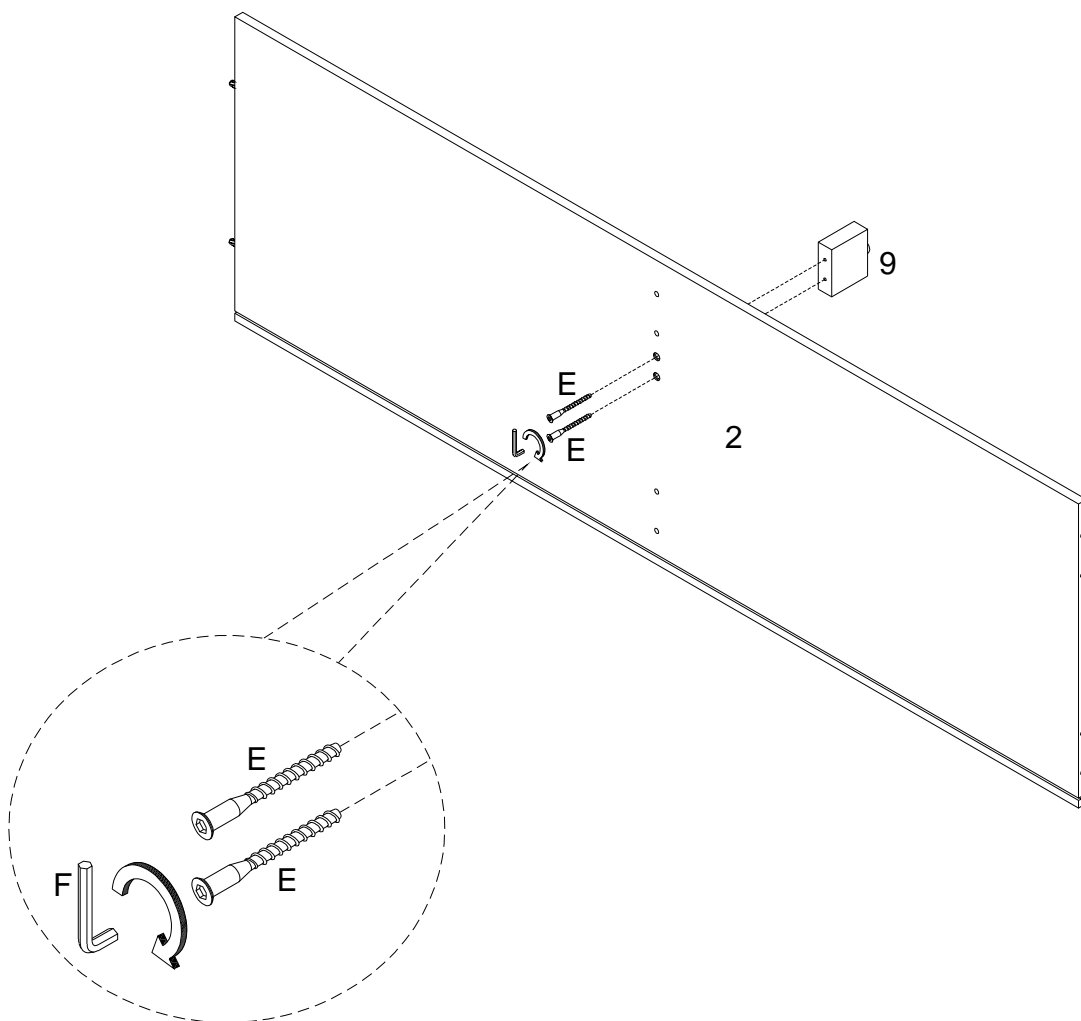


1: The provided glue is to secure wood dowels in place. When first inserting dowels, locate the appropriate hole for the dowel, place a small amount of glue in the hole and insert the dowel. Wipe away excess glue immediately.

2: In future assembly steps when dowels are necessary to attach assembly parts together, place a small amount of glue on the end of the dowel before attaching parts together. Wipe away excess glue immediately.

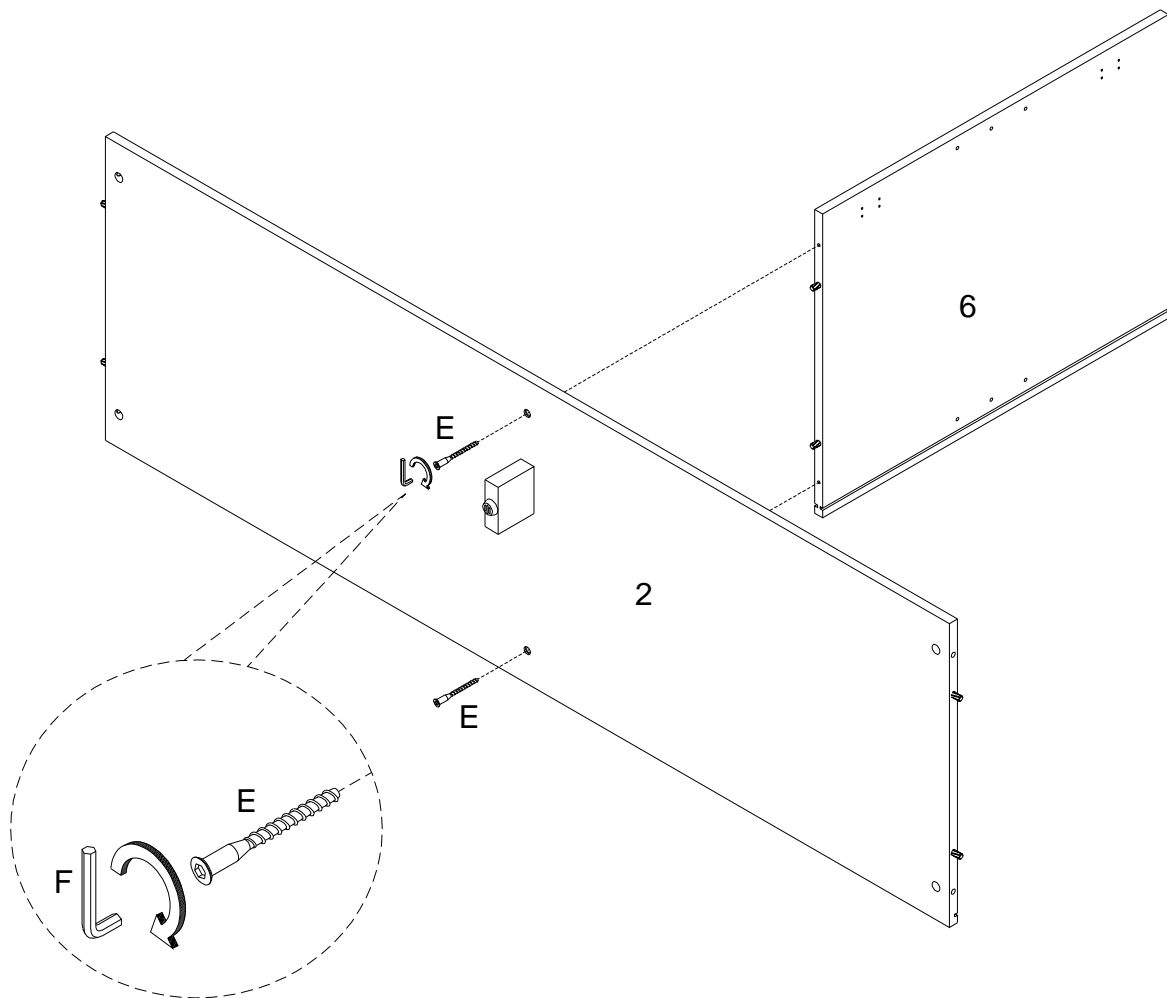
# Step 2

Attach the Center Foot (9) to the Bottom Panel (2) using the 50mm Bolts (E). Tighten with the Hex Key (F).



# Step 3

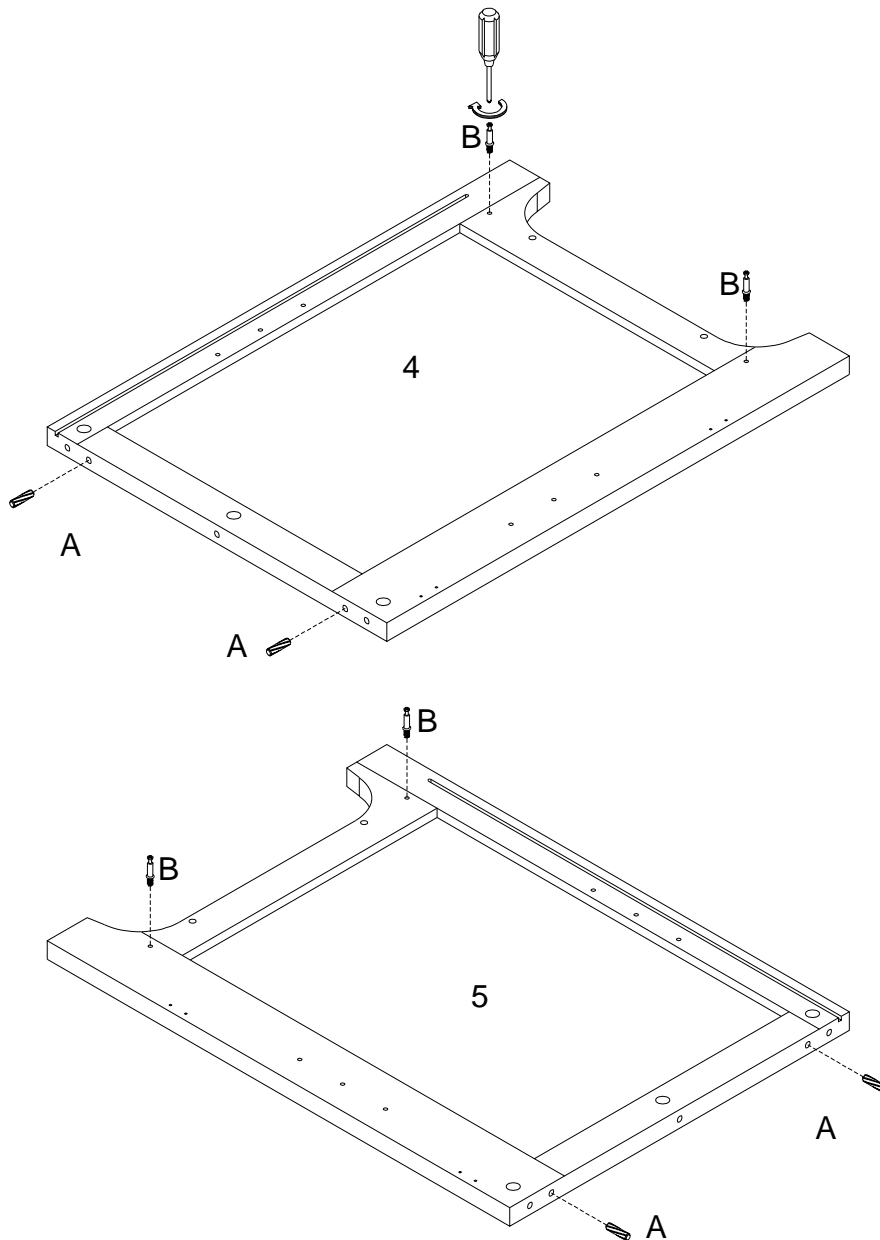
Now, attach the Center Panel (6) to the Bottom Panel (2), securing with 50mm Bolts (E).





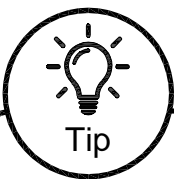
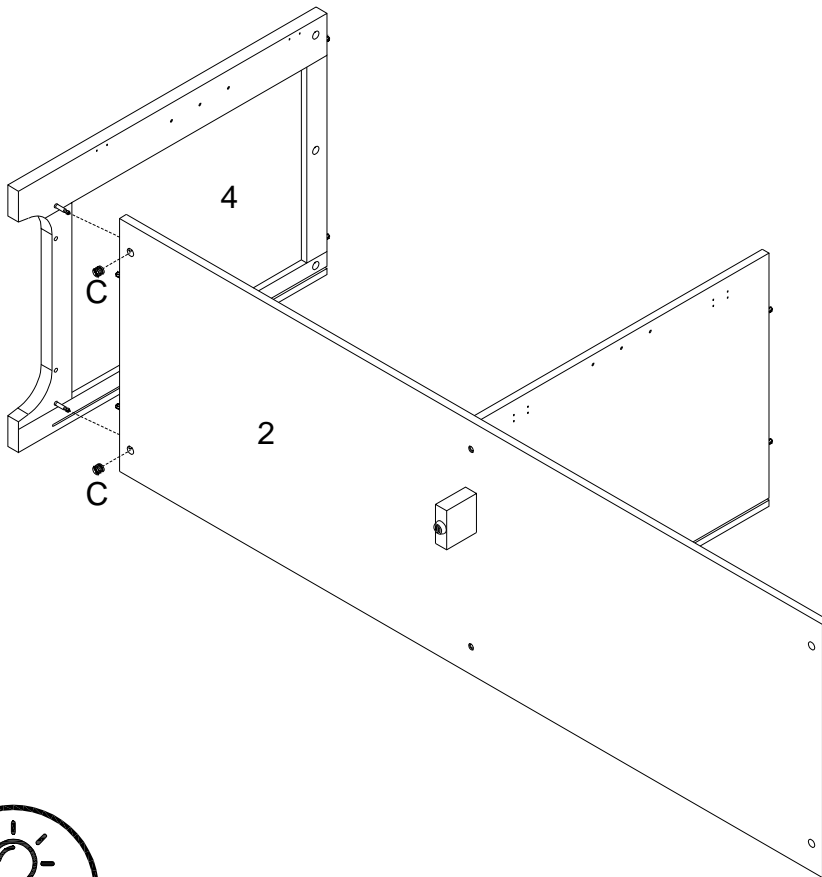
# Step 4

Attach Cam Bolts (B) to the Left Panel (4) and the Right Panel (5), then insert Wooden Dowels (A).



# Step 5

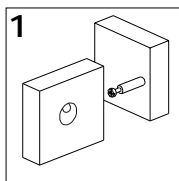
Attach the Left Panel (4) to the Bottom Panel (2) and secure with Cam Locks (C).



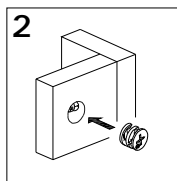
Tip

## Cam Locks

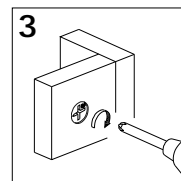
Cam Locks help securely join two pieces together.  
Follow these easy steps.



1: Insert Cam Bolt into bolt holes on the flat side. Don't over tighten!



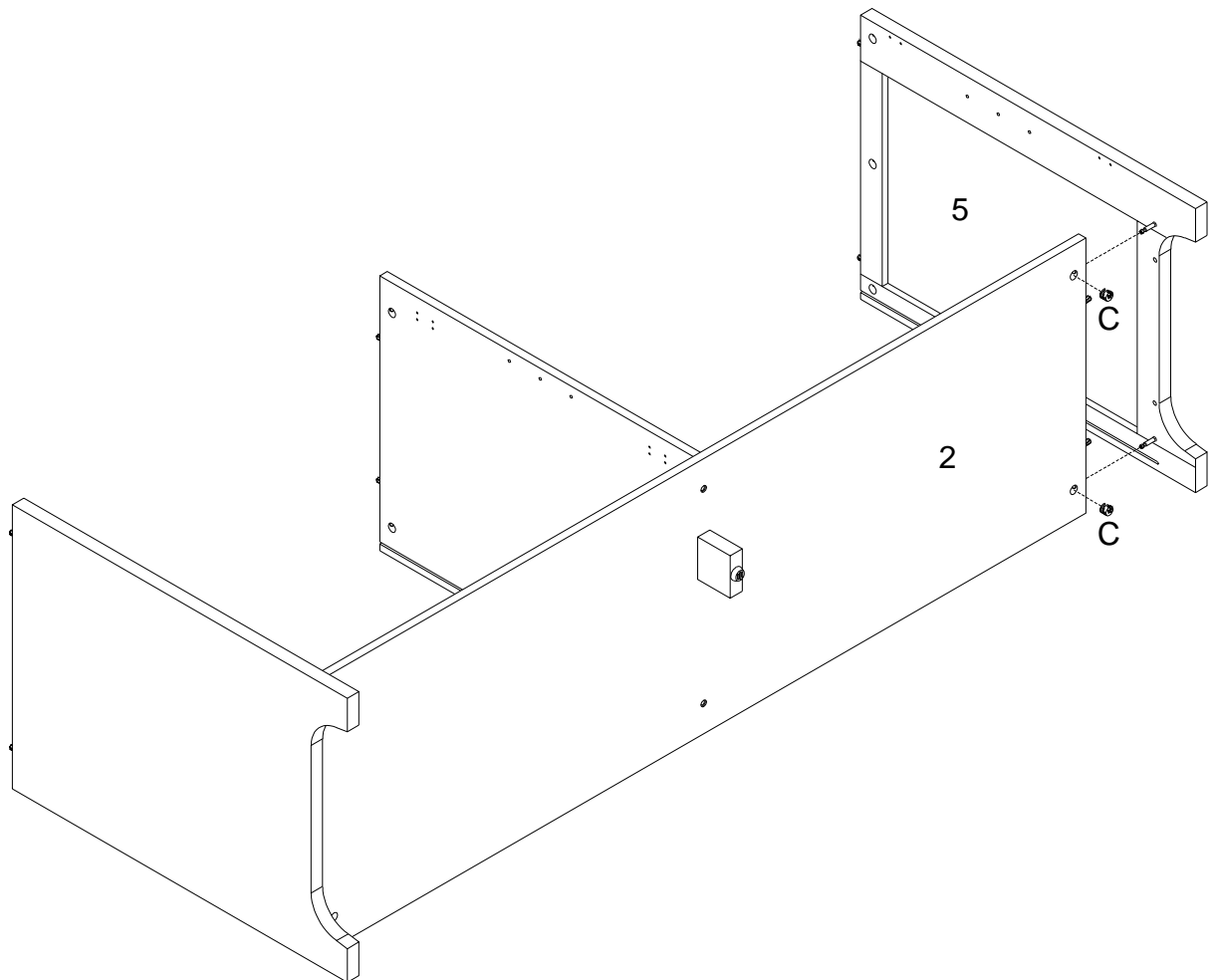
2: Fit the proper holes on the edge of the other part over the Cam Bolts. You should be able to see the cam bolts through the larger hole on the side.



3: On the back of the Cam Lock will be a "C" shape. Insert the Cam Lock so the opening of the "C" fits over the Cam Bolt. Tighten with the screwdriver.

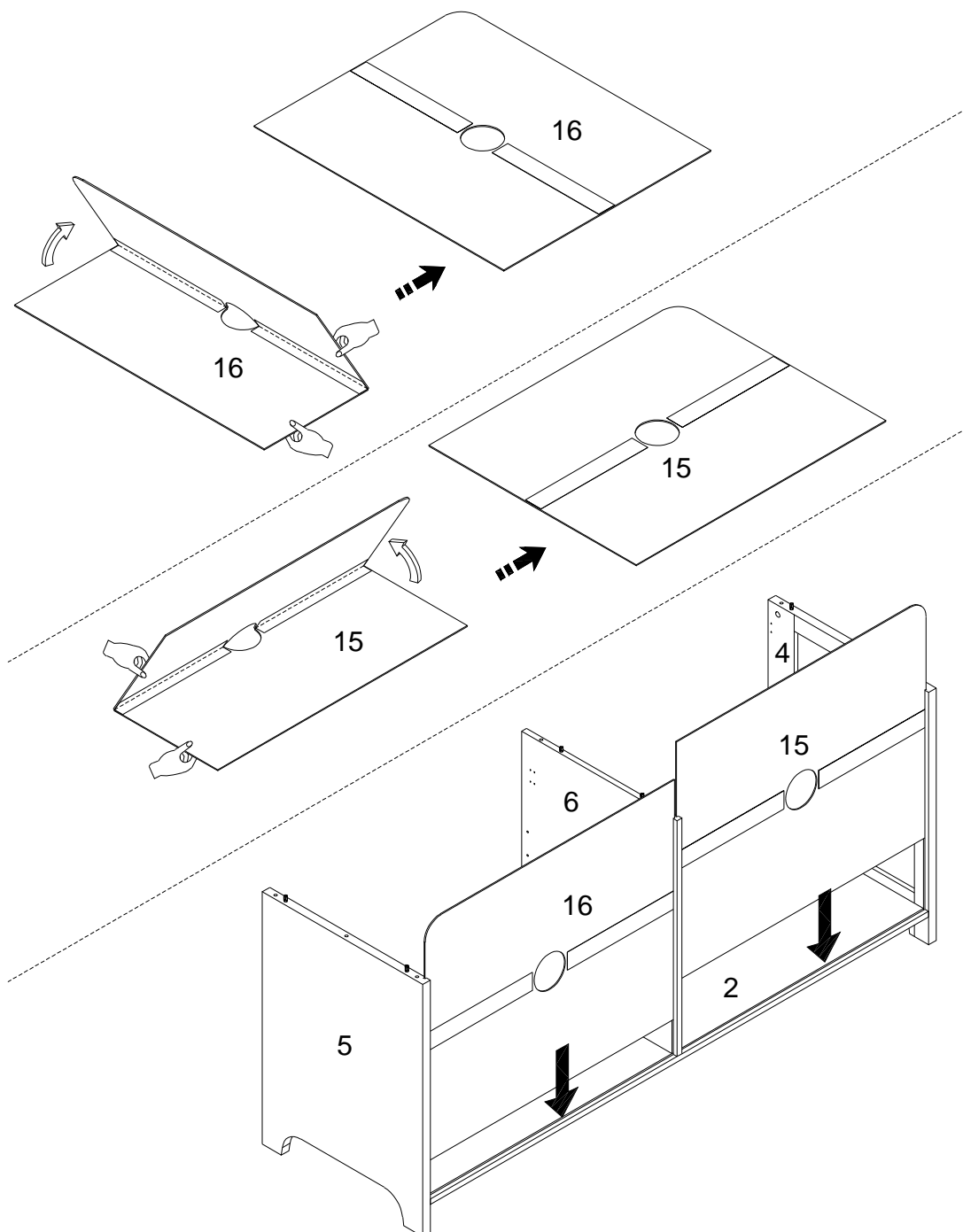
# Step 6

Next, attach the Right Panel (5) to the Bottom Panel (2) and secure with Cam Locks (C).



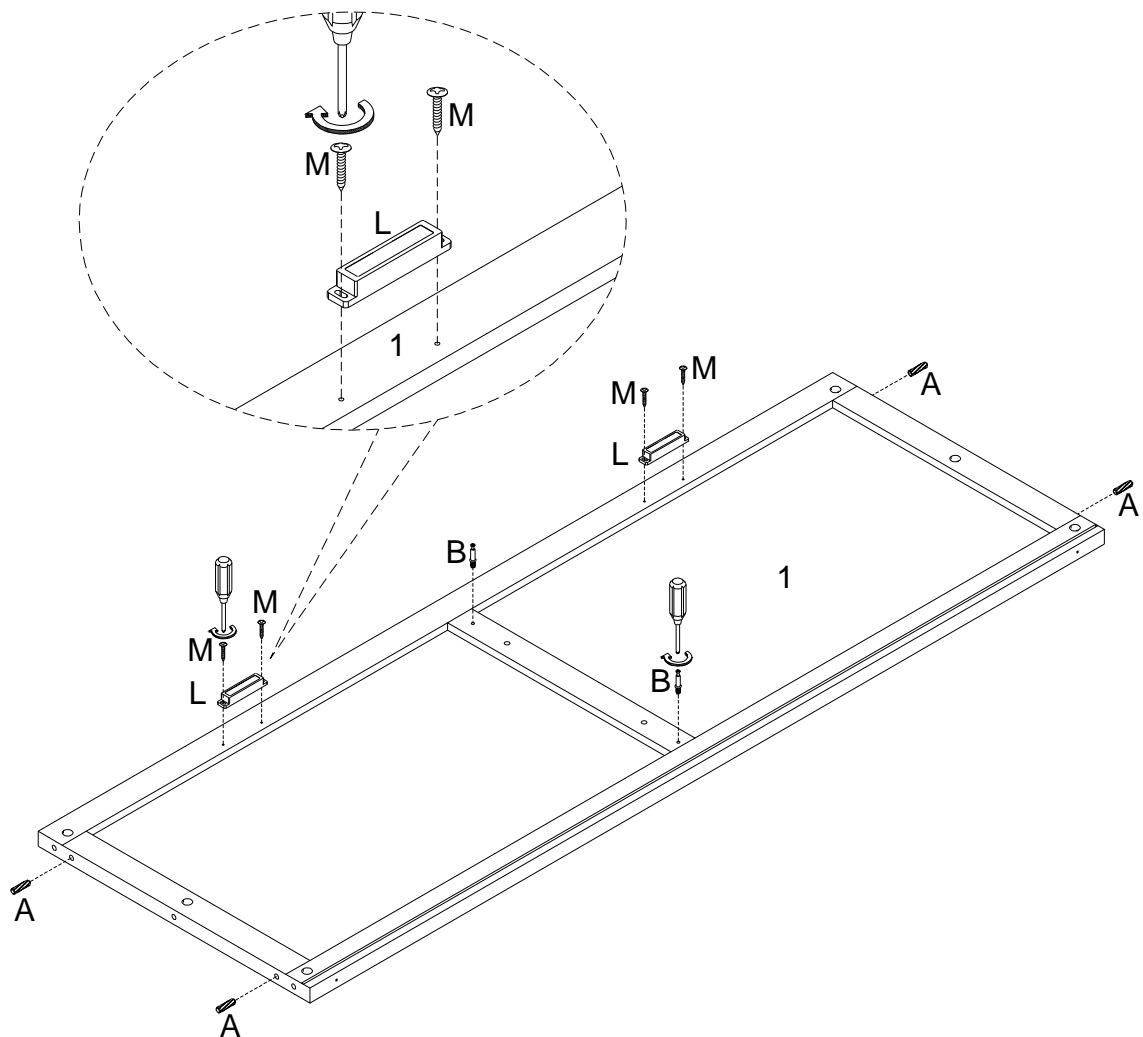
# Step 7

Unfold the Left Back Panel (15) and the Right Back Panel (16). Insert into the appropriate side on the back of the sideboard, using the grooves.



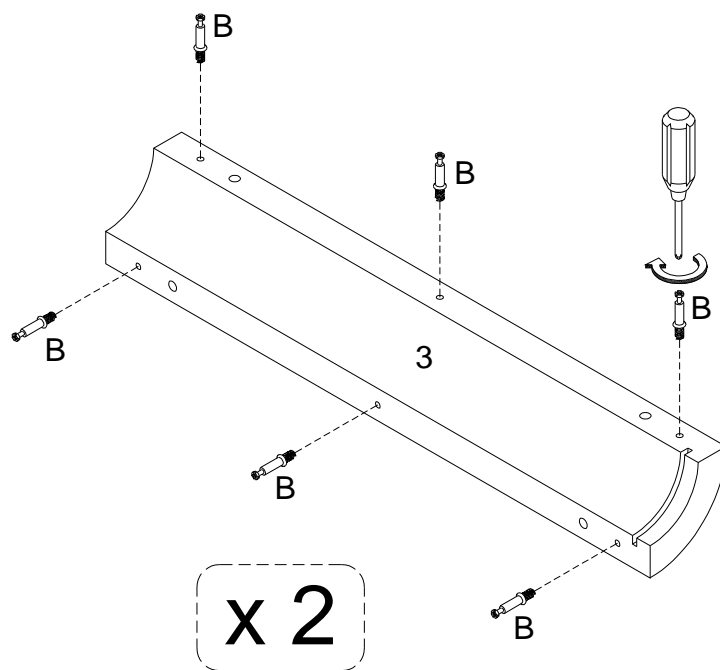
# Step 8

Attach the Door Stoppers (L) to the Top panel (1) using 14mm Screws (M) to secure. Then, insert Cam Bolts (B) and Wooden Dowels (A).



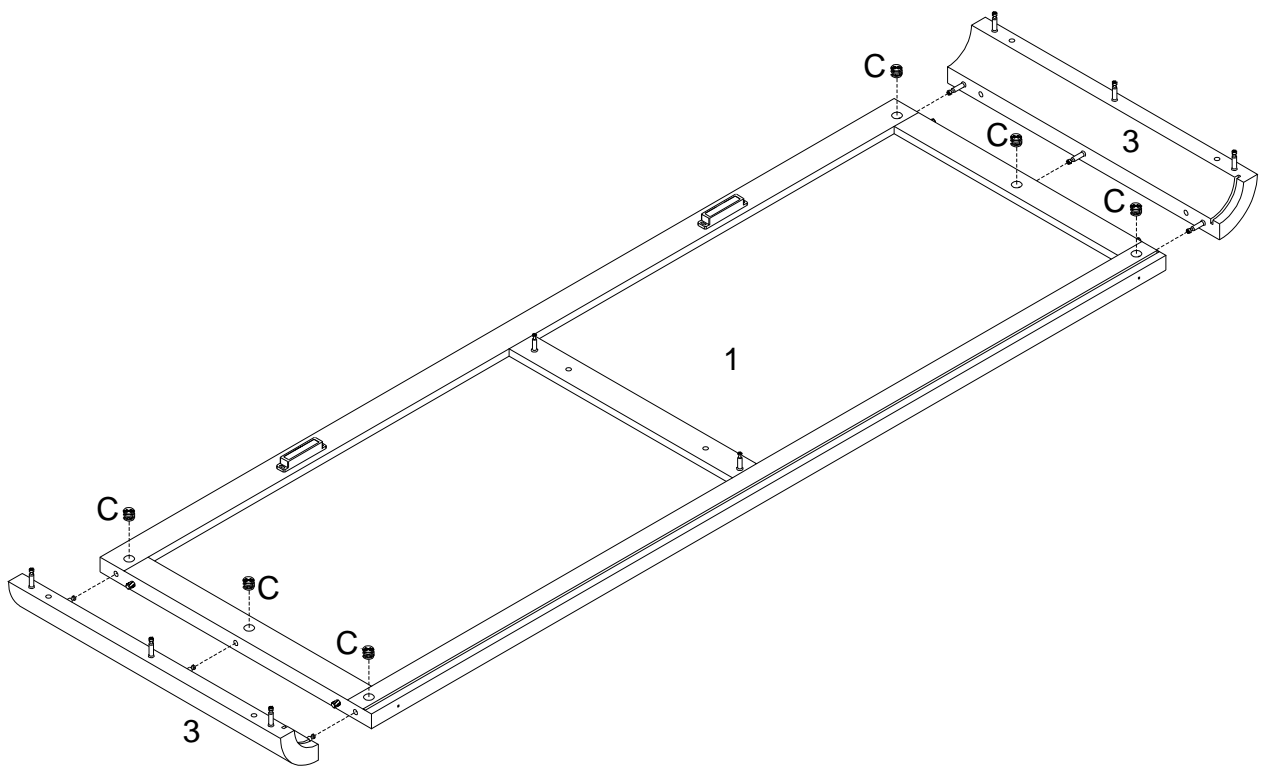
# Step 9

Insert Cam Bolts (B) into both Corner Panels (3) and secure with a screwdriver.



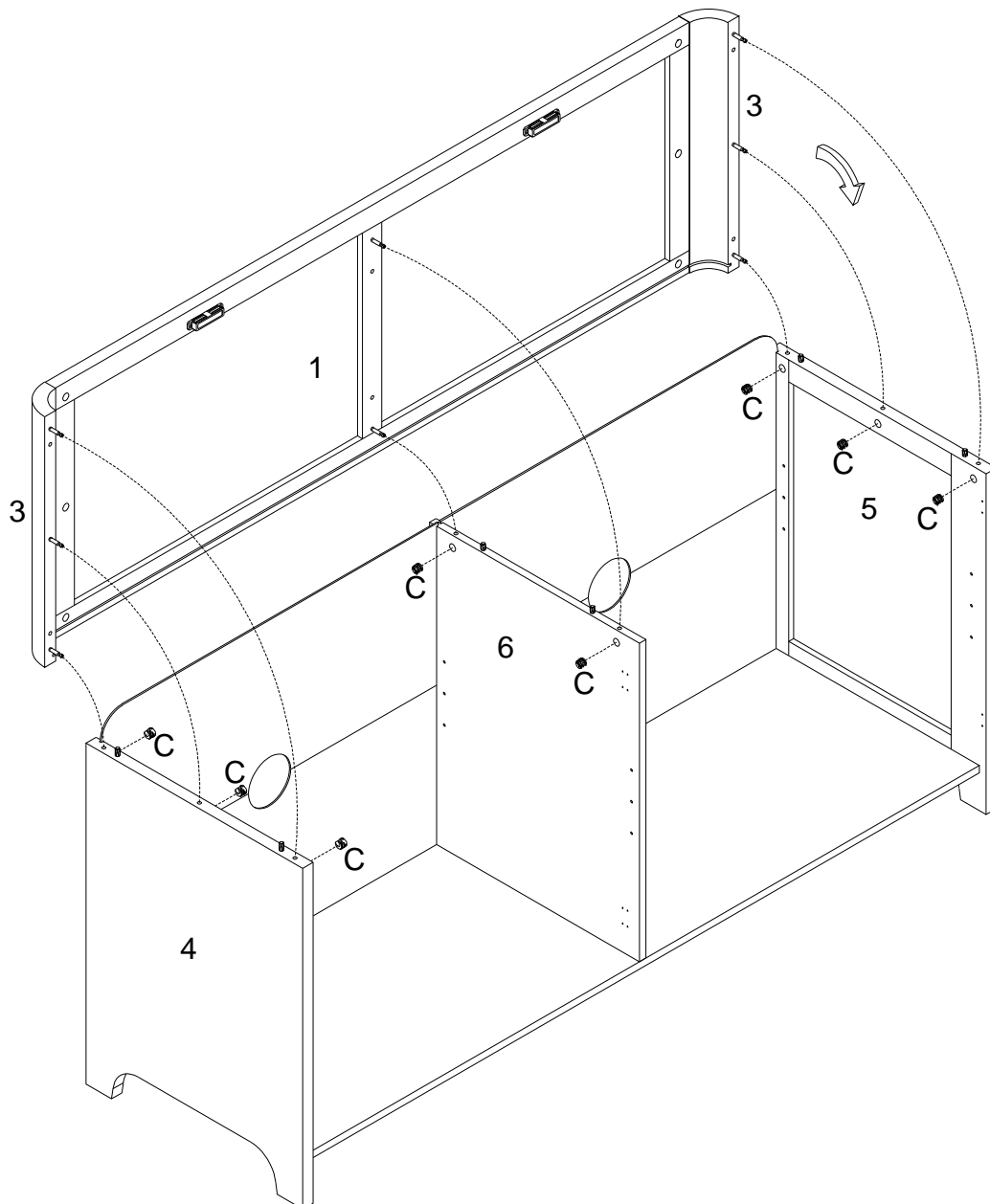
# Step 10

Attach the Corner Panels (3) to the Top Panel and secure with Cam Locks (C).



# Step 11

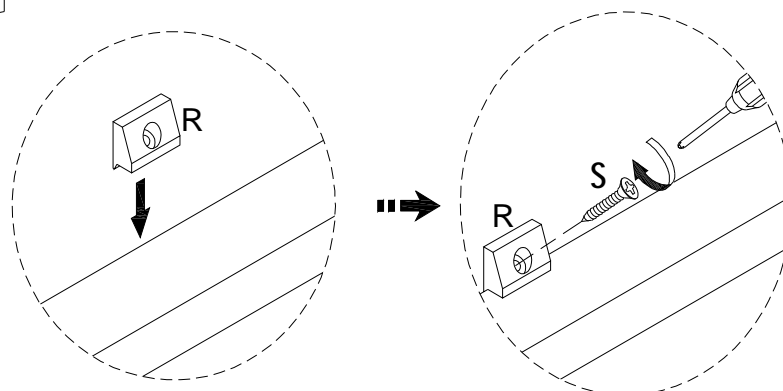
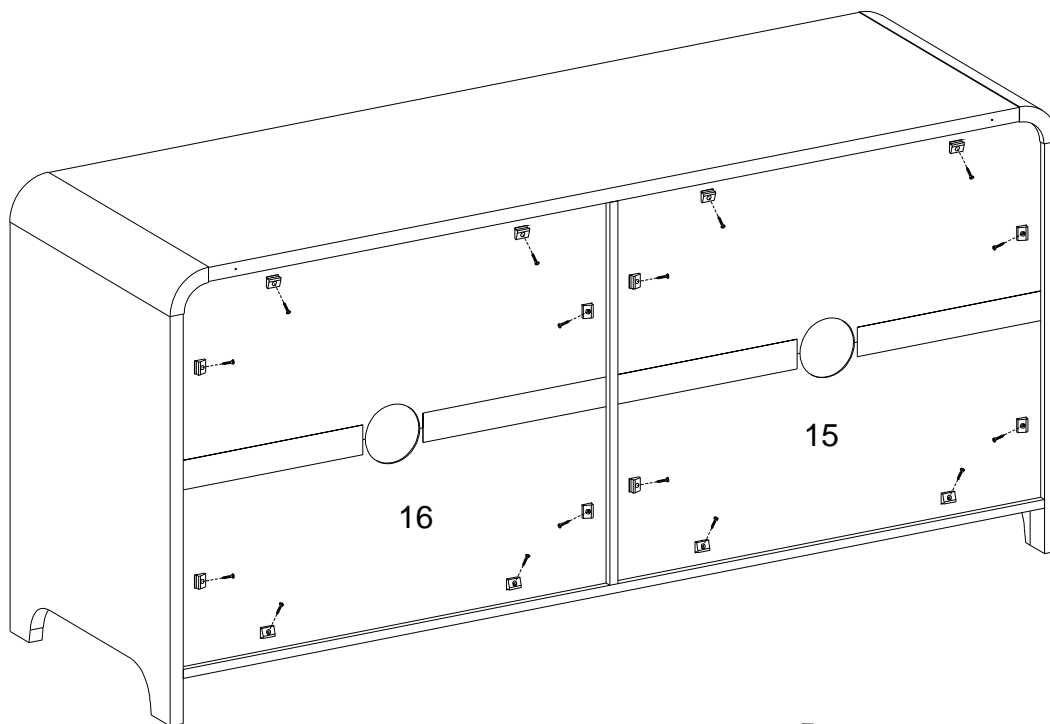
Now, attach the Top Panel to the base of the sideboard and secure With Cam Locks (C).





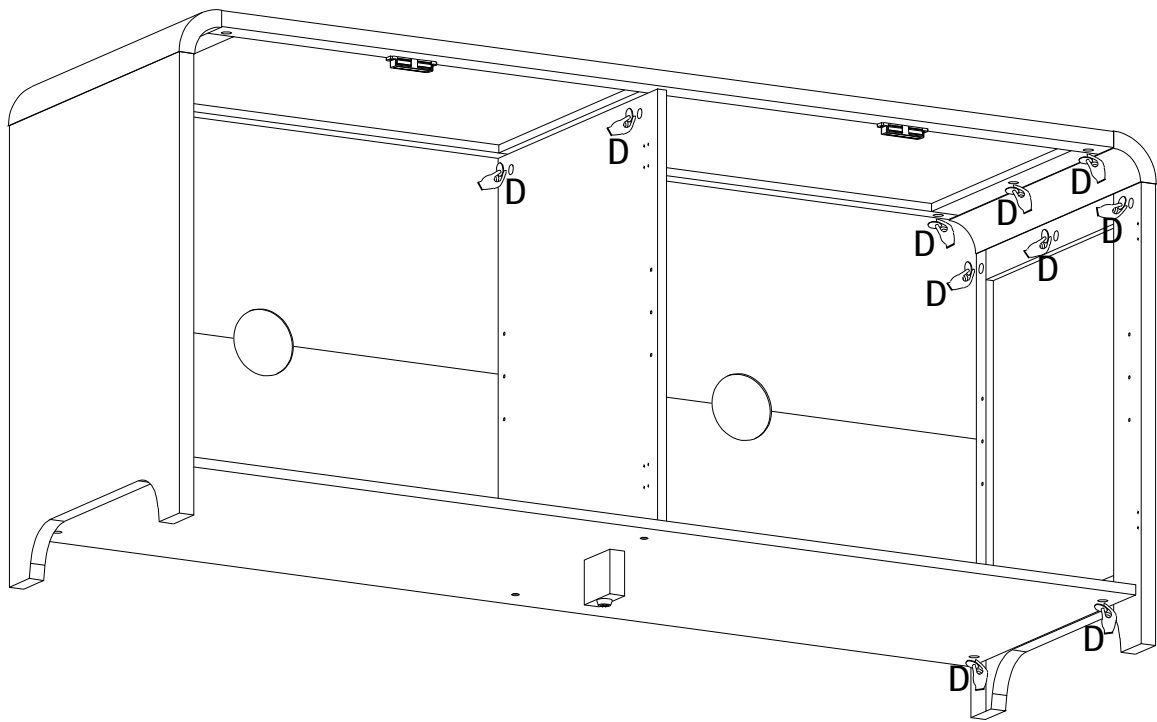
# Step 12

Evenly space Plastic Wedges (R) between the Back Panel and the frame. Secure with 17mm Screws (S).



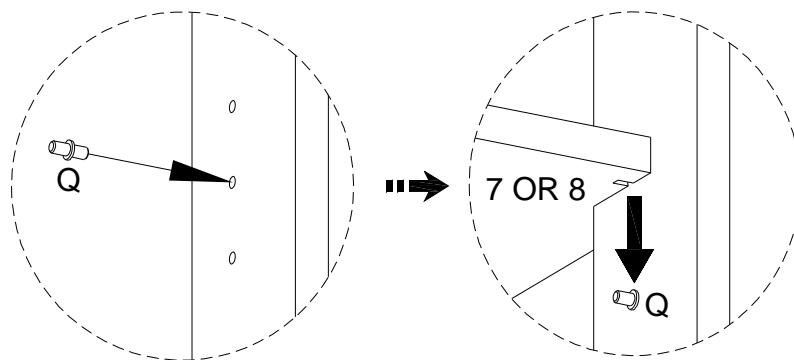
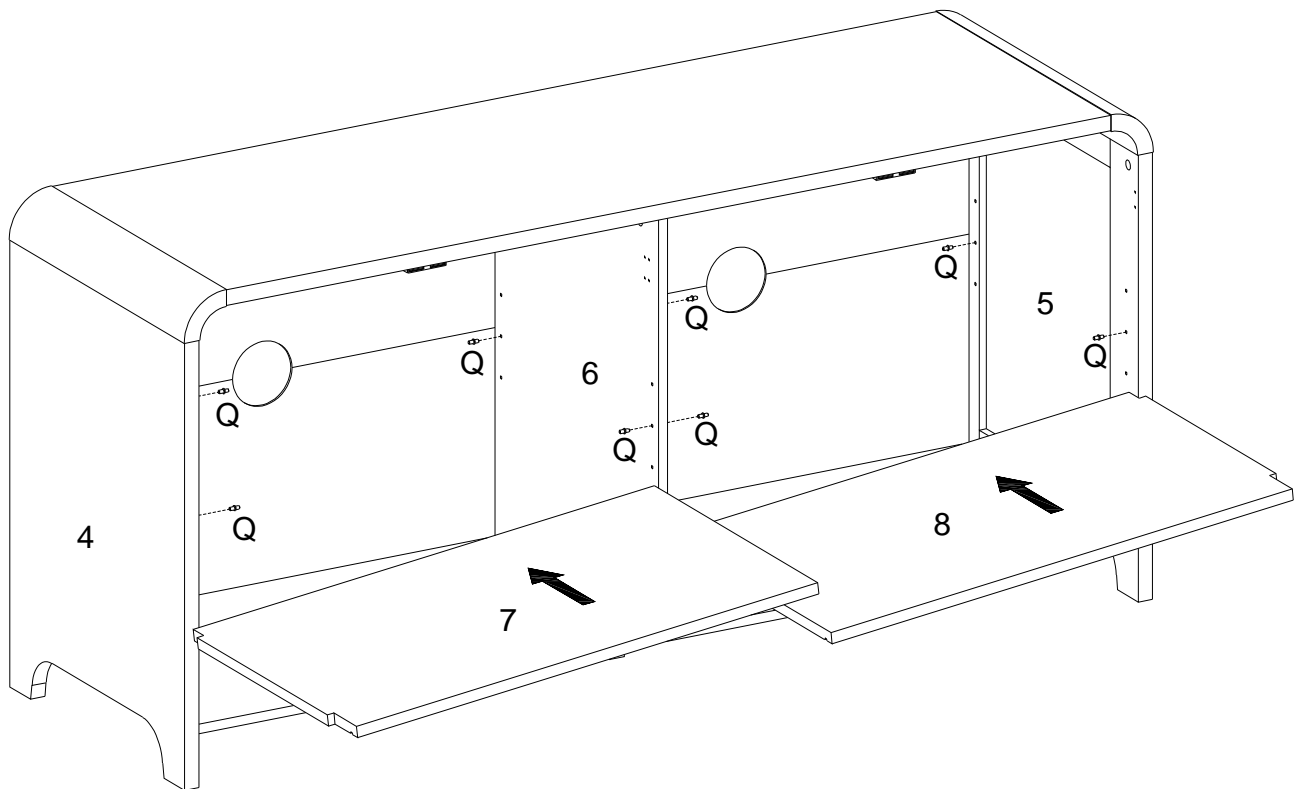
# Step 13

Cover any visible Cam Locks (C) with Stickers (D).



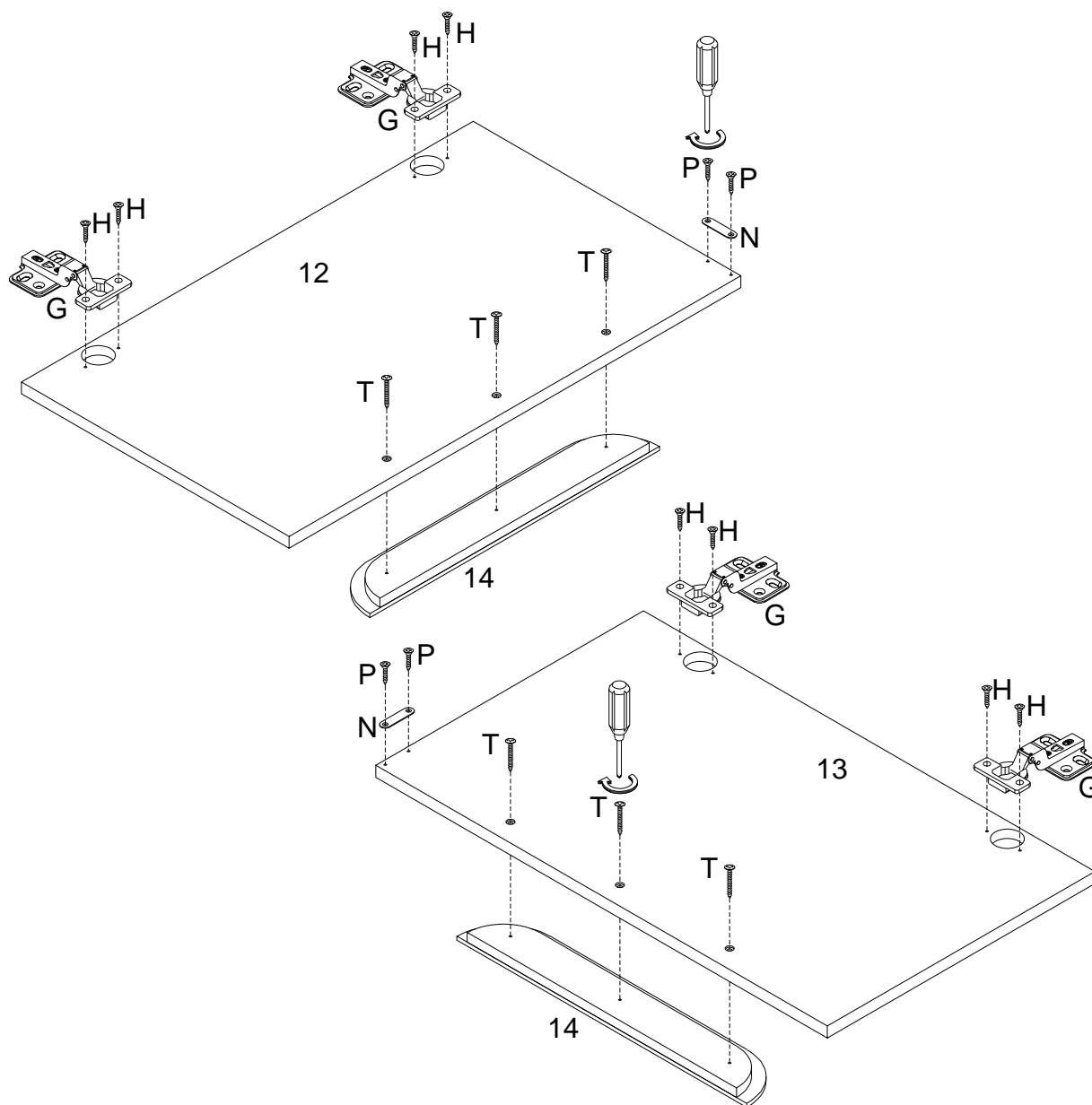
# Step 14

Insert Shelf Support Pins (Q) into the pre-drilled holes at your desired height, then slide the Adjustable Shelves (7) & (8) into place.



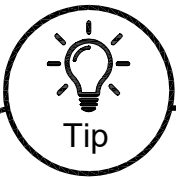
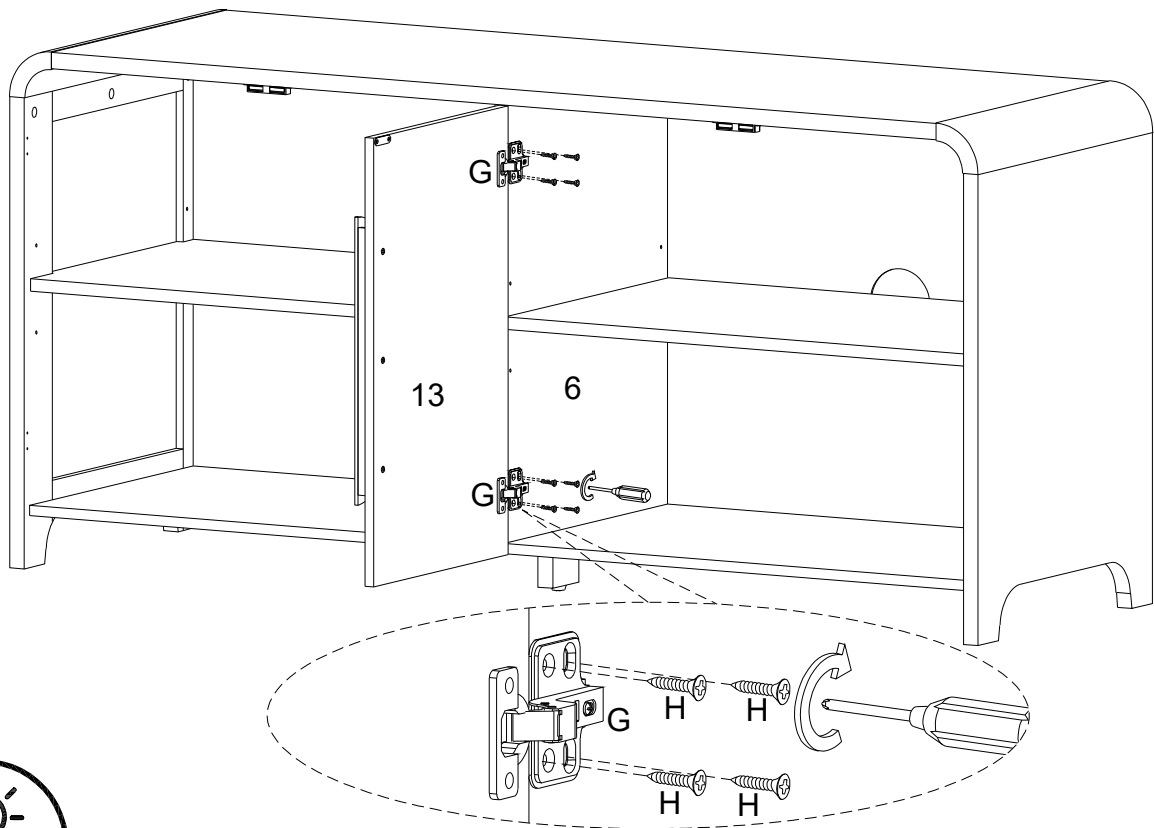
# Step 15

Attach Hinges (G) to the Left Center Door (12) and Right Center Door (13) using 14mm Screws (H). Then, attach the Metal Pieces (N) to the corner of each door using 12mm Screws (P). Lastly, attach the Door Pulls (14) using 25mm Screws (T).



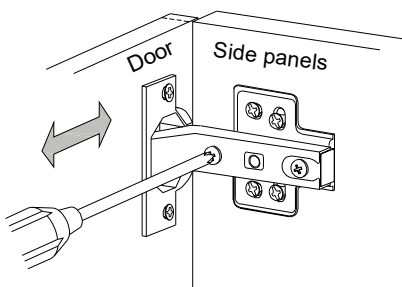
# Step 16

Now, attach the Right Center Door (13) hinges to the unit using 14mm Screws (H).

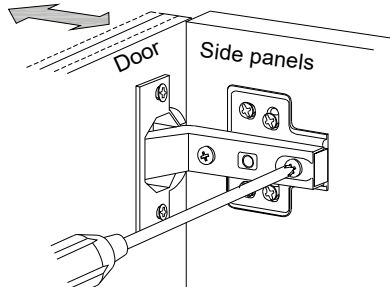


Tip

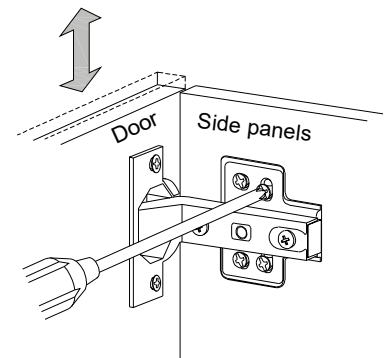
## Adjusting The Cabinet Doors



Adjust horizontal width with this screw.



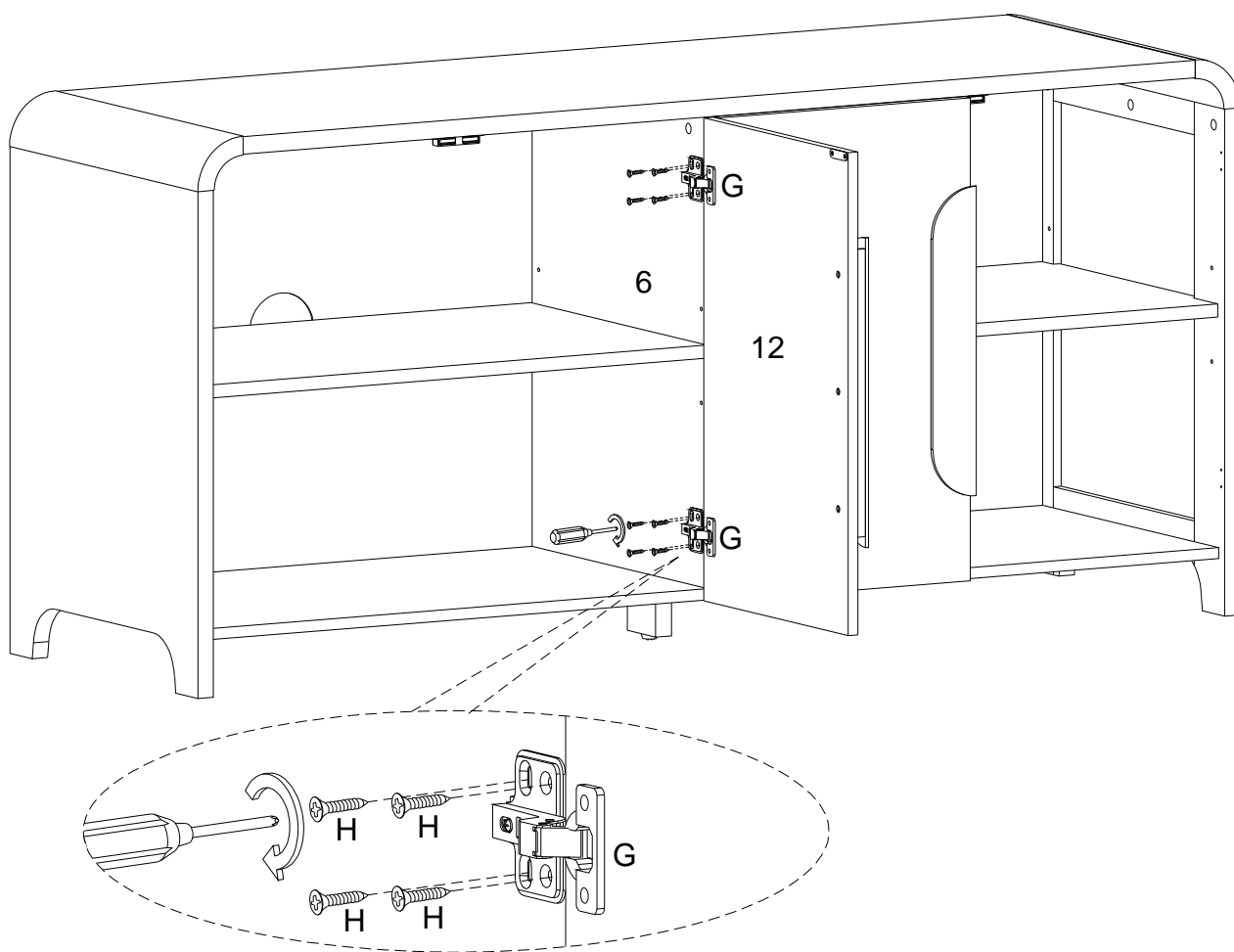
Adjust depth position by loosening the hinge arm mounting screw.



Adjust vertical height via the screws in the mounting plate.

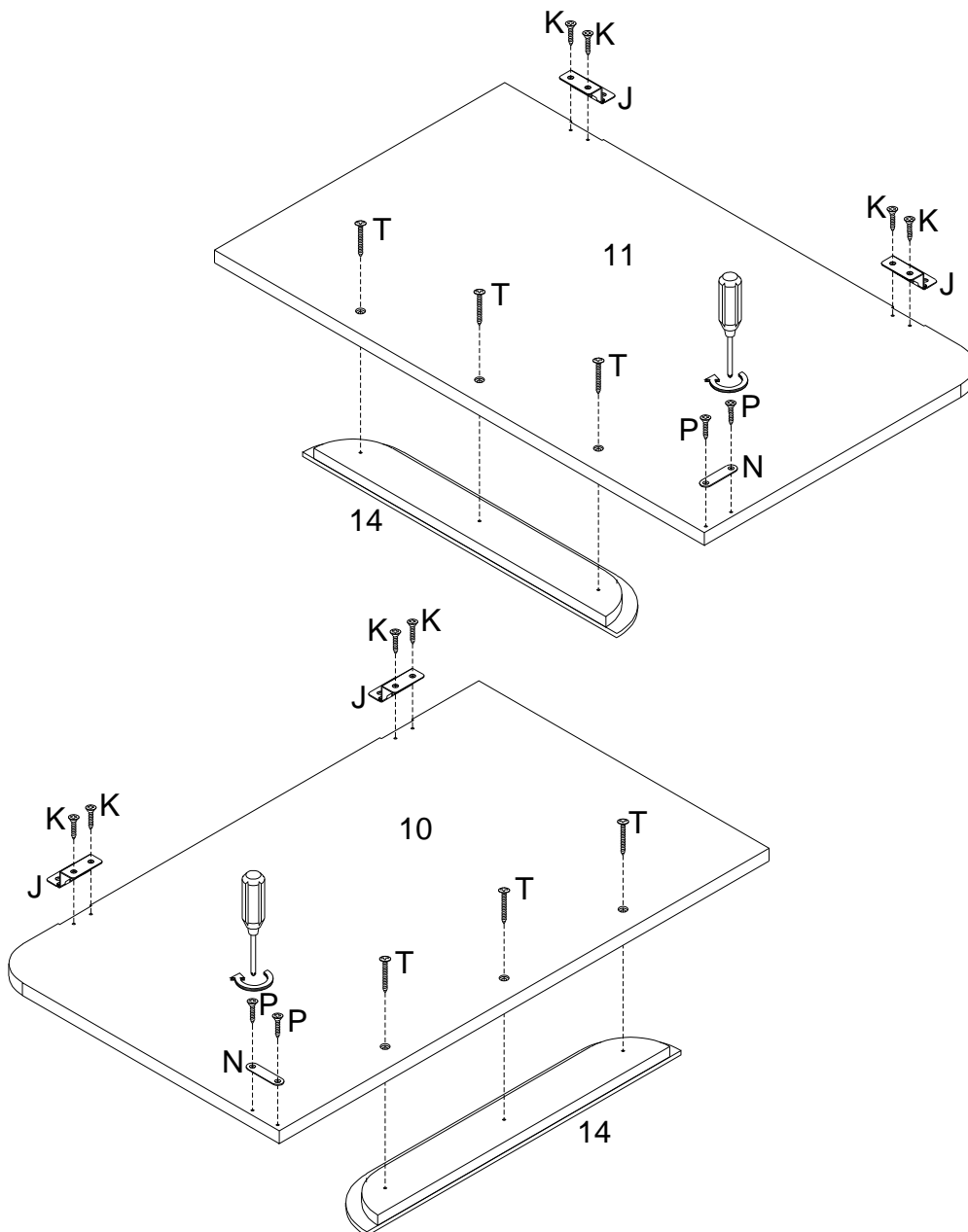
# Step 17

Attach the Left Center Door (12) using 14mm Screws (H).



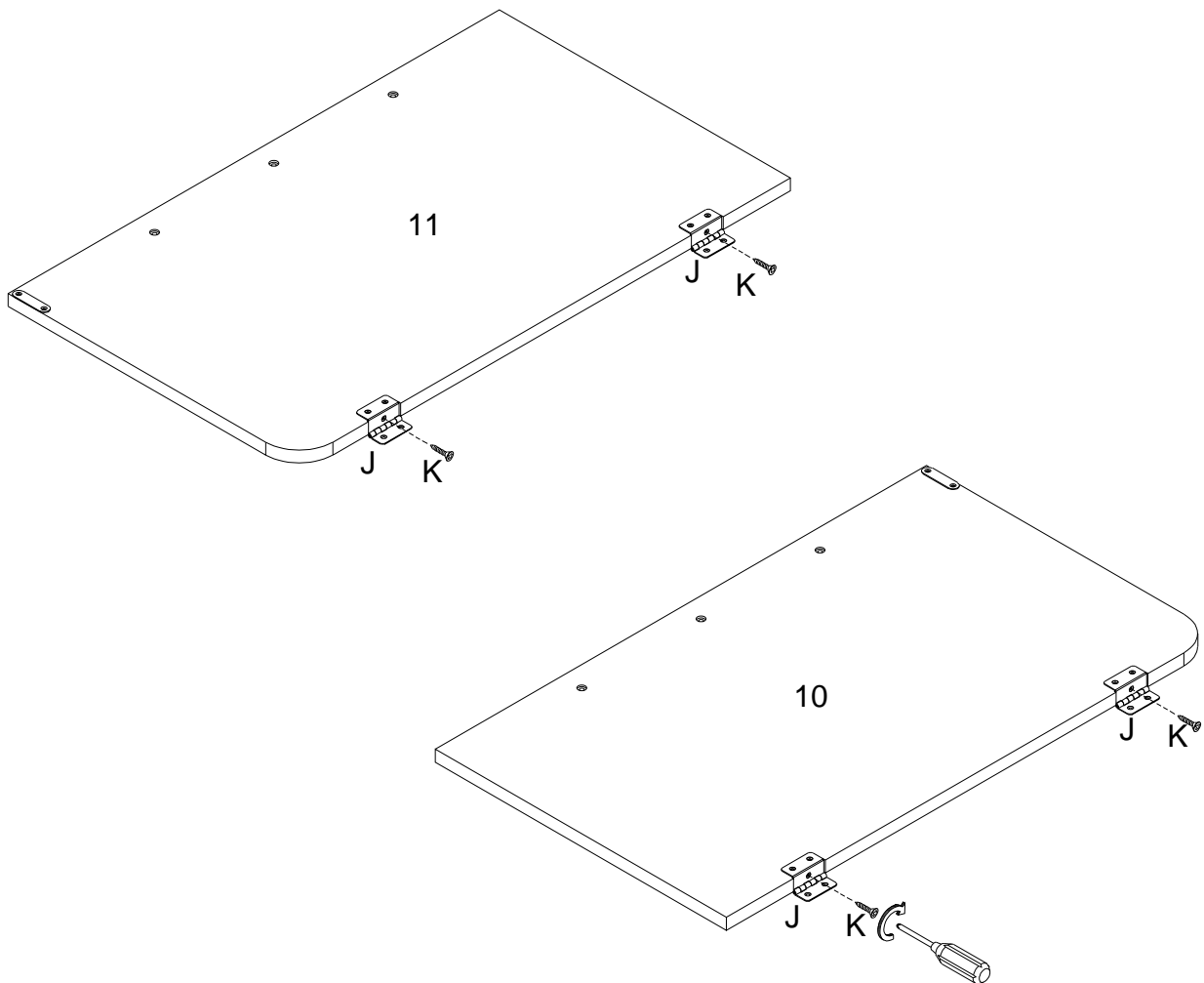
# Step 18

Attach Hinges (J) to the Left Door (10) and Right Door (11) using 12mm Screws(K). Then, attach the Metal Pieces (N) to the corners using 12mm Screws (P). Lastly, attach the Door Pulls (14) using 25mm Screws (T).



# Step 19

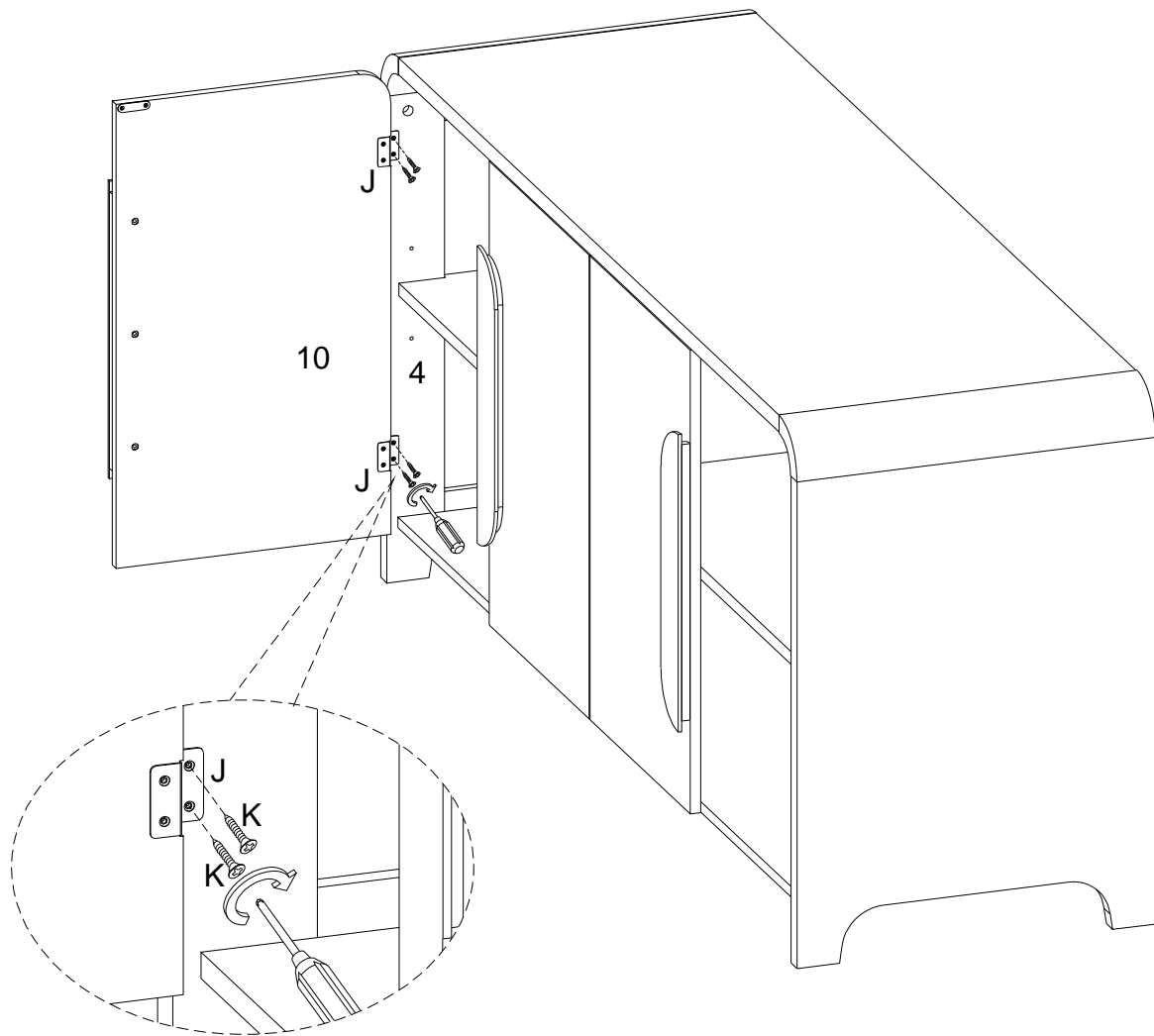
Attach the Hinges (J) to the Left Door (10) & Right Door (11) using 12mm Screws (K).





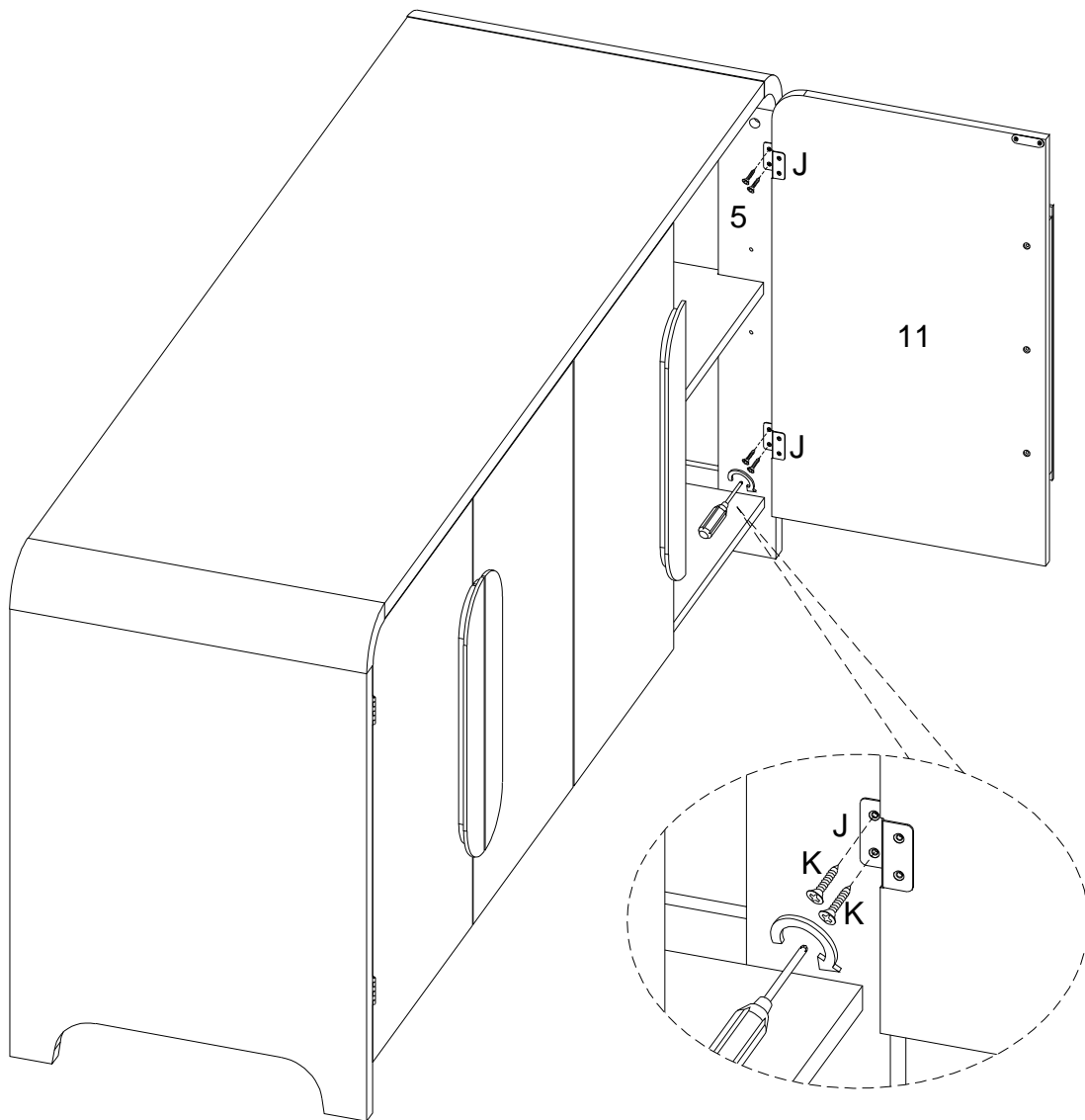
# Step 20

Connect the Hinge (J) on the Left Door (10) to the Left Panel (4) using 12mm Screws (K).



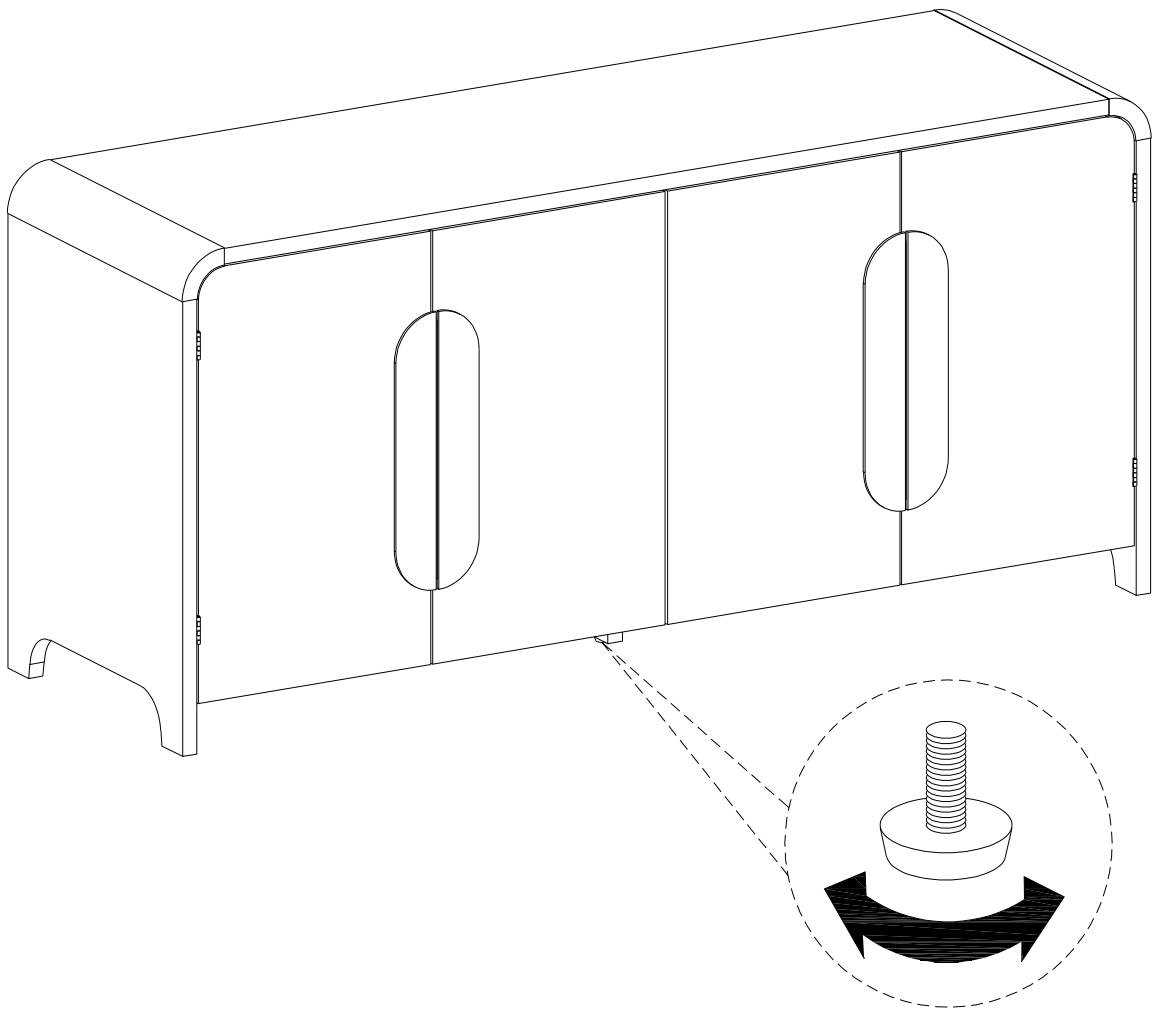
# Step 21

Now, attach Hinge (J) on the Right Door (11) to the Right Panel (5) using 12mm Screws (K).



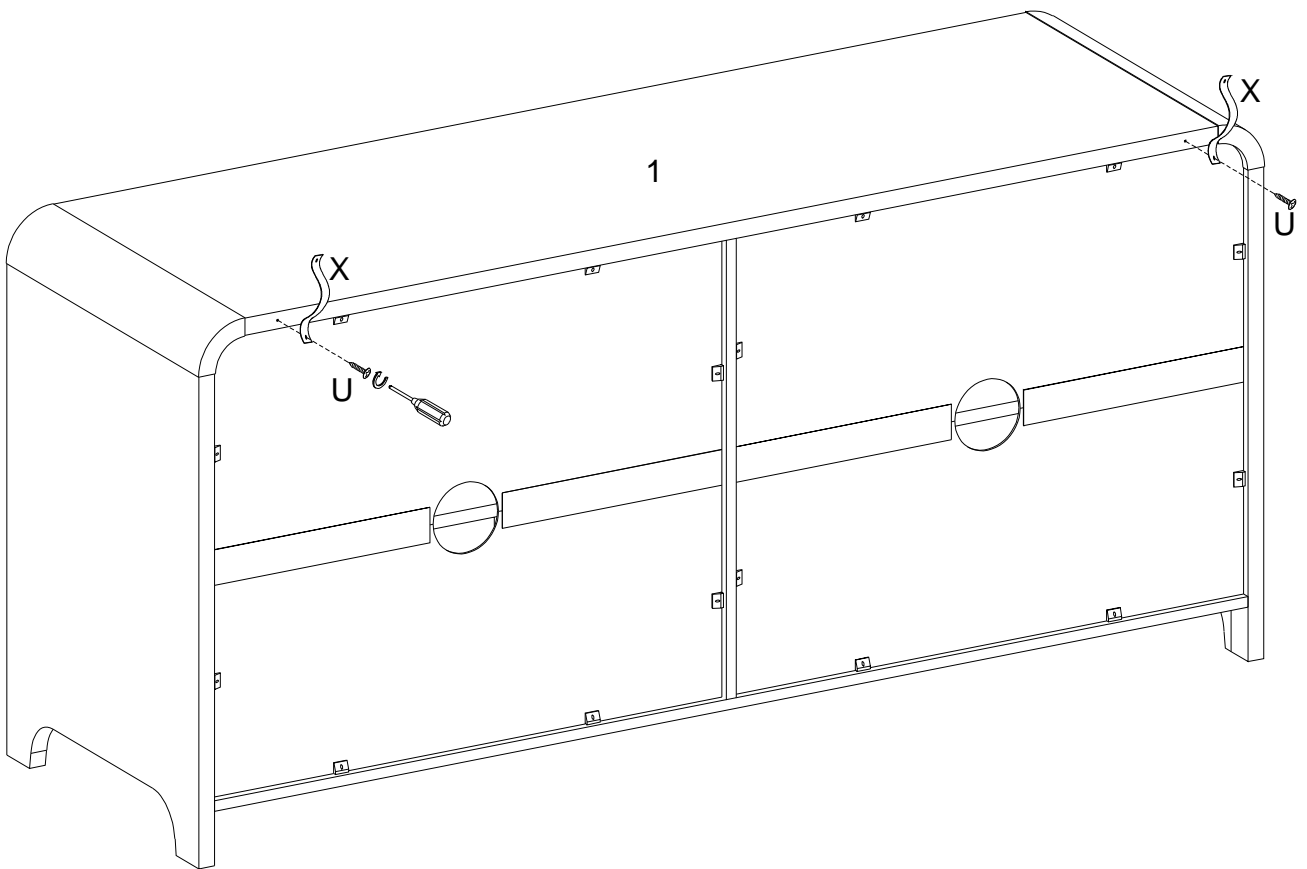
# Step 22

Rotate the adjustable feet to ensure a level surface.



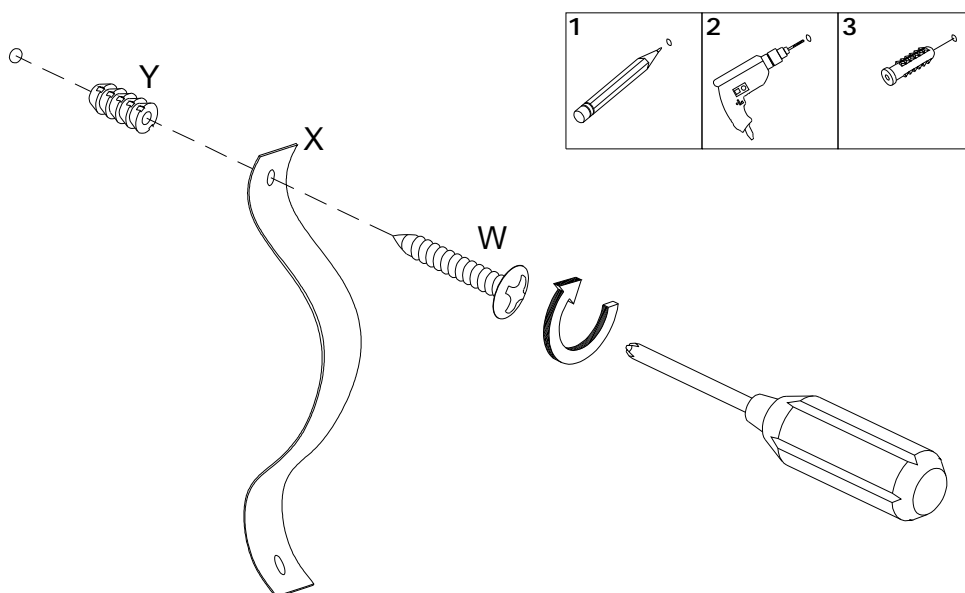
# Step 23

You're so close now. Let's secure your sideboard to the wall. Using the 12mm Screws (U), attach the Plastic Straps (X) to the back of the sideboard.



# Step 24

Now, pre-drill a hole into the wall and insert the Nut (Y). Secure the Plastic Straps (X) to the wall using 25mm Screws (W).

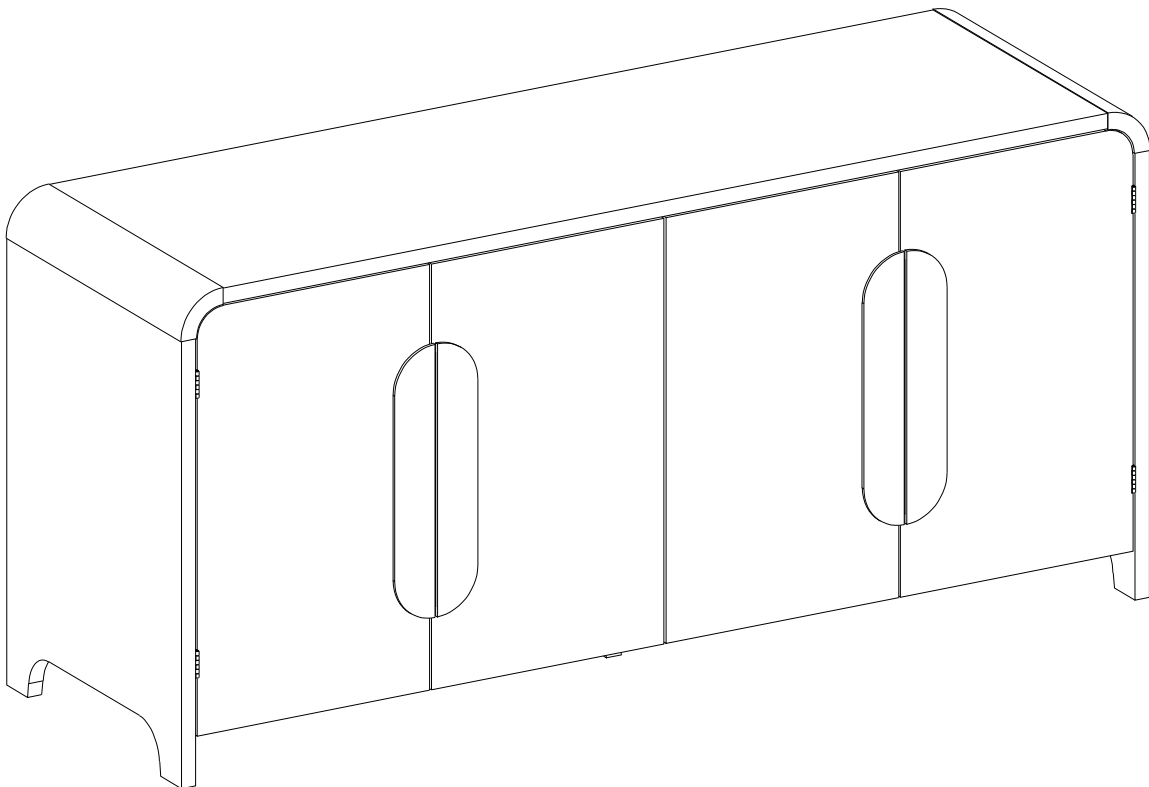


## Warning

Serious or fatal injuries can occur from furniture tipping over. To prevent the furniture from tipping over we recommend that it is permanently fixed to the wall. Wall anchor and hardware are included with this product. Please make sure hardware is suitable for your walls before installing, as different wall materials may require different types of anchors.

# Final Assembly

Your work here is done. Great job!



Congratulations on your new piece of furniture!

We would love to hear about it and see it.  
Please leave us a review or post a picture with  
[#mywalkerredisonhome](#)

# Assembling furniture can be tricky sometimes.

Our customer service team, located in Utah, is here for product information, help assembling a product, or for any other customer support issue

Call us at **801-433-3008**

Email us at [service@walkeredison.com](mailto:service@walkeredison.com)

Visit our Customer Service website at  
[walkeredison.com/pages/customer-service](http://walkeredison.com/pages/customer-service)

We are available to help Monday -Thursday 8am-5pm, Friday 8am-3pm MST

For details on Assembly Videos, Assembly Instructions, Replacement Parts, and Customer service,  
**SCAN HERE**

