

Desk



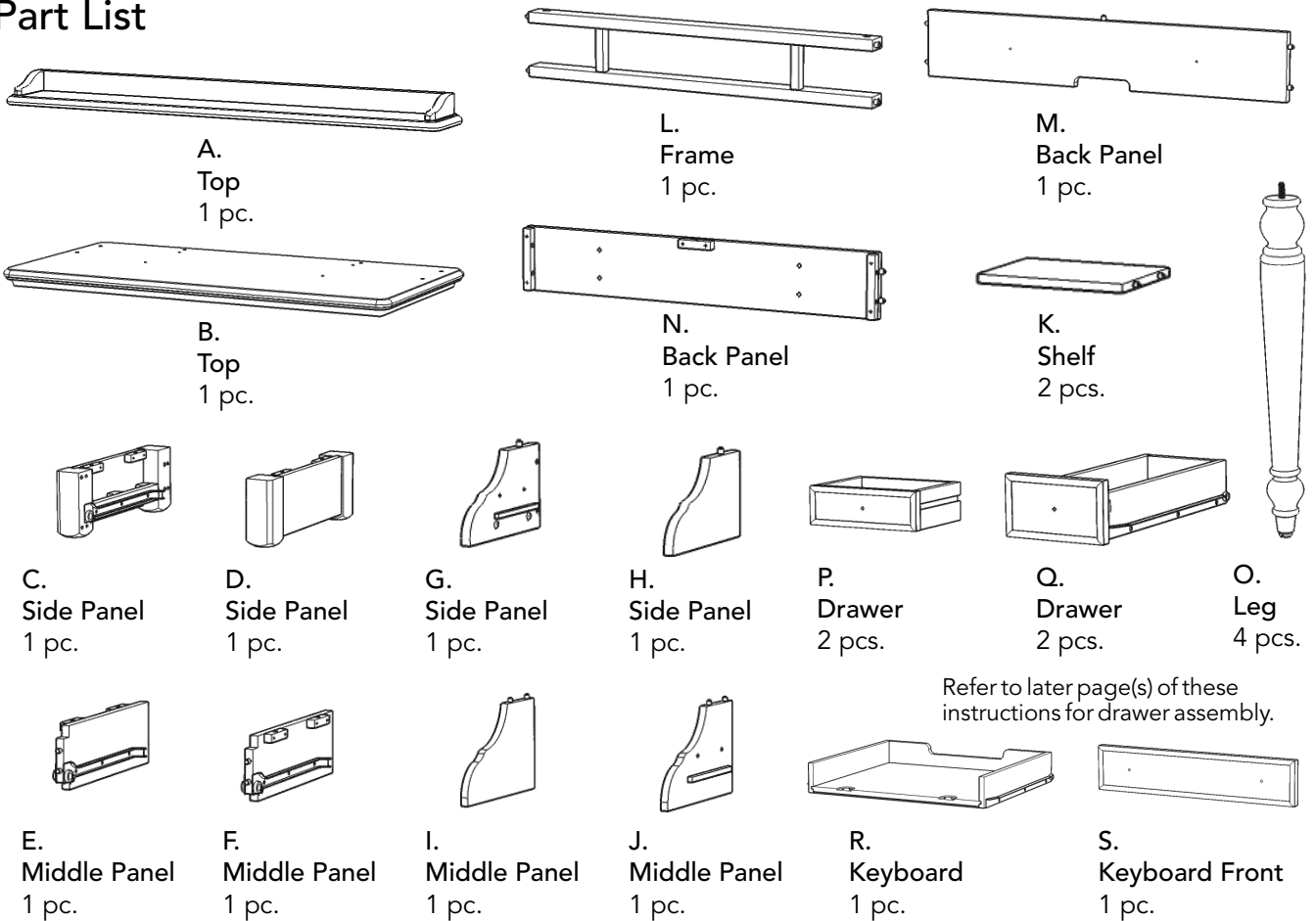
IMPORTANT

Carefully remove all the parts from the carton and place them individually on a soft cloth to prevent scratches or other damage.

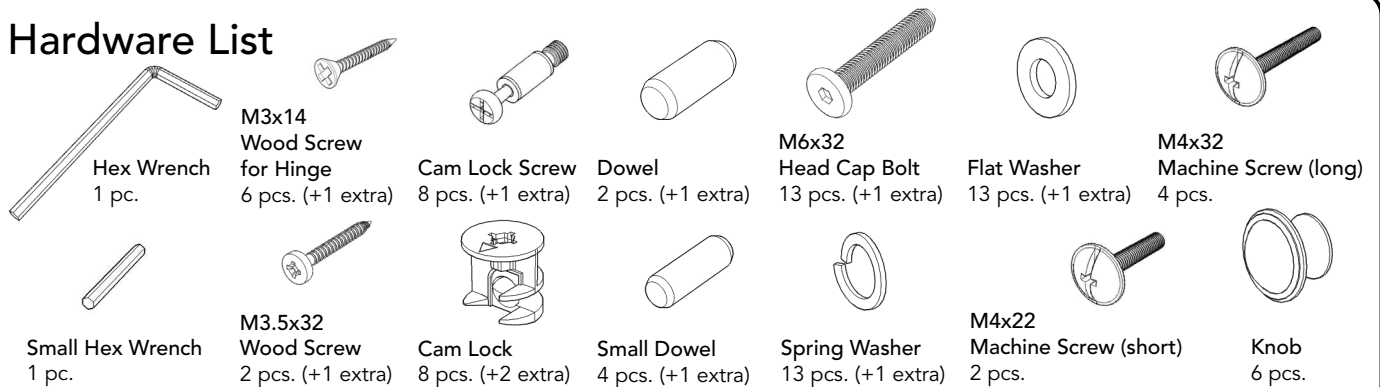
Carefully and strictly follow these assembly instructions to ensure a completed product as designed.

Do not use power tools above 8 volts to assemble.

Part List



Hardware List



Tool(s) required for assembly: Phillips screwdriver, Level

Assembly Instructions 2/7

IMPORTANT

- Use a soft cloth between these parts and the floor.
- Do not use power tools above 8 volts to assemble.
- Make sure unit is level before tightening these screws.
- Do not tighten all the bolts until each part is properly assembled.
- The unit must be level to work properly. Use the included adjustable levelers to level.
- Keep Wrench as the bolts may need to be tightened in future.

STEP 1

Insert Cam Lock Screws into pre-drilled holes of Side Panels (C) and (D), then tighten. (See Figure 1)

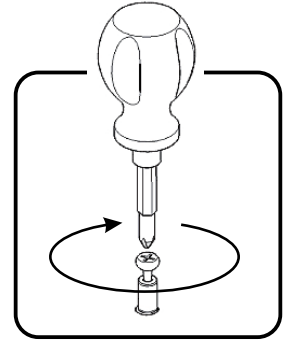
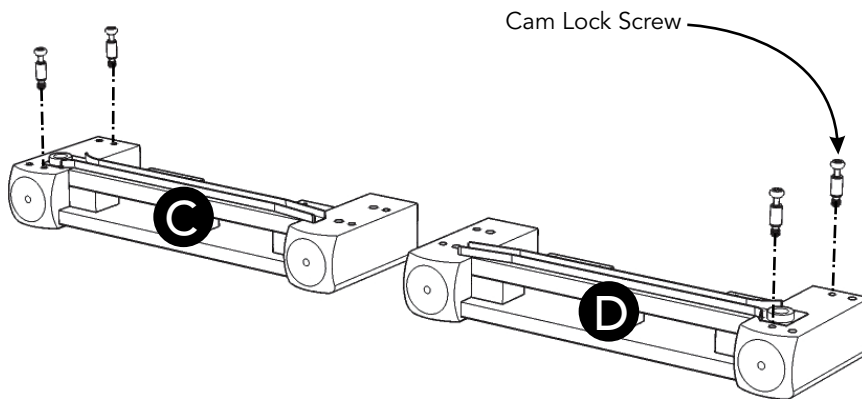
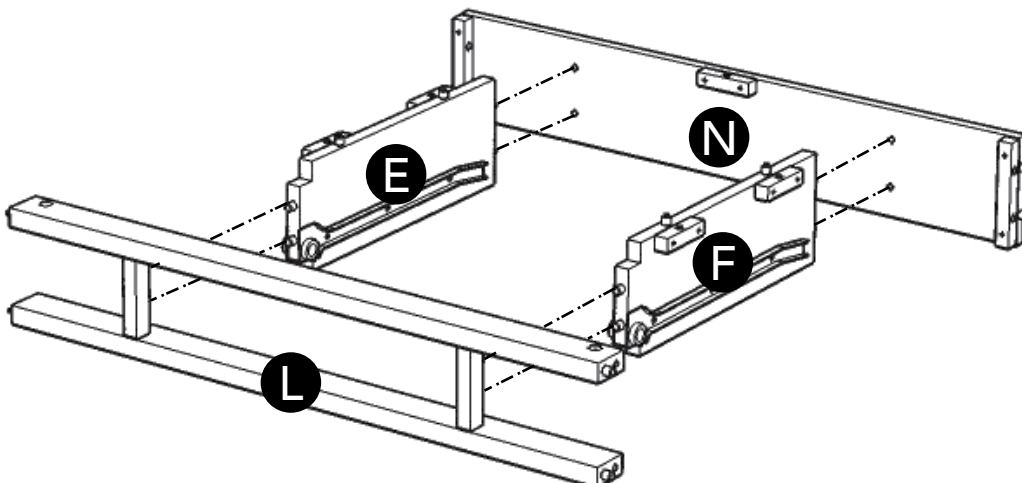


Figure 1

STEP 2

Attach Middle Panels (E) and (F) to Back Panel (N).

Attach Frame (L) to unit.



Assembly Instructions 3/7

STEP 3

Attach Side Panels (C) and (D) to unit with Cam Locks, Flat Washers, Spring Washers and Head Cap Bolts. (See Figures 2 and 3)

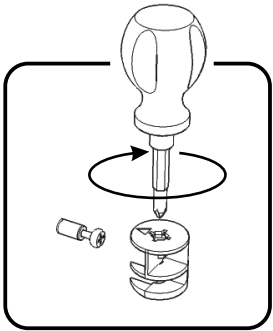


Figure 2

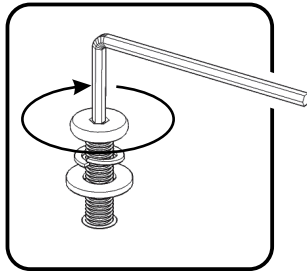
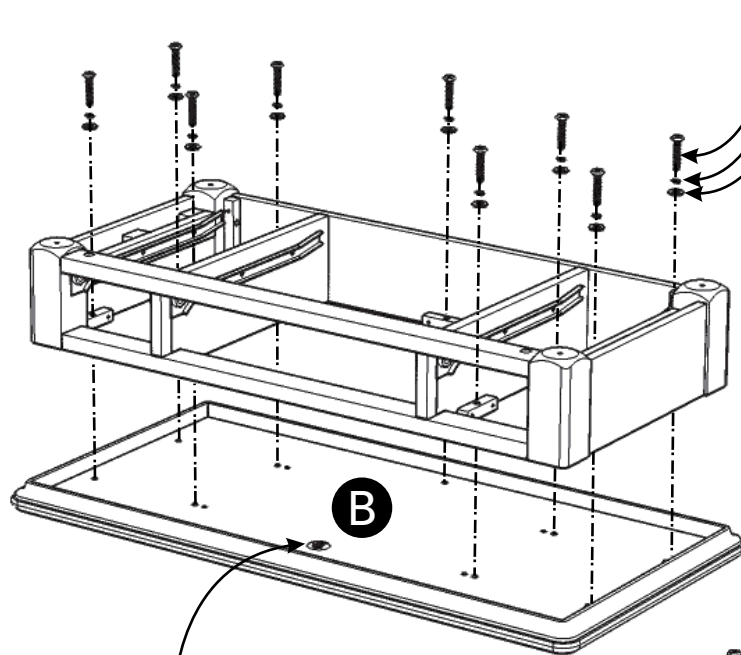
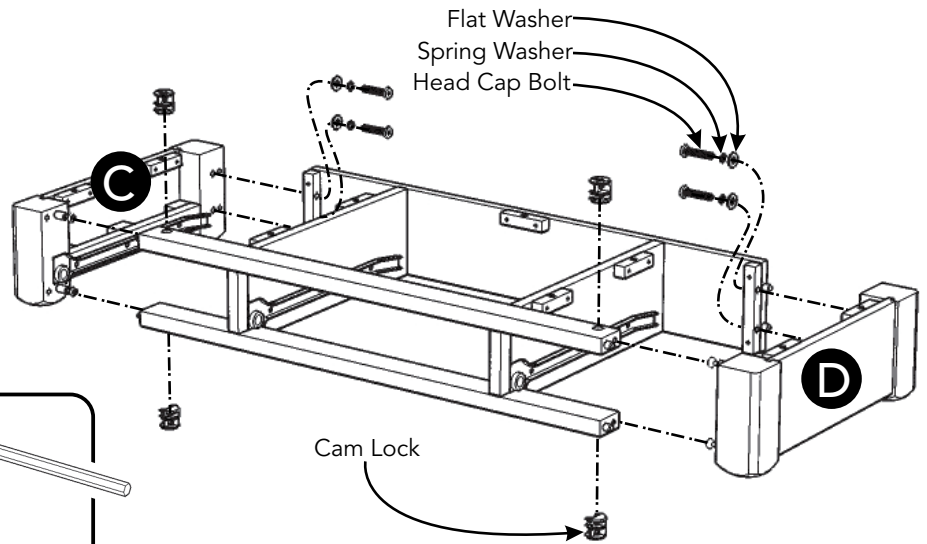


Figure 3



Arrow label at front

STEP 4

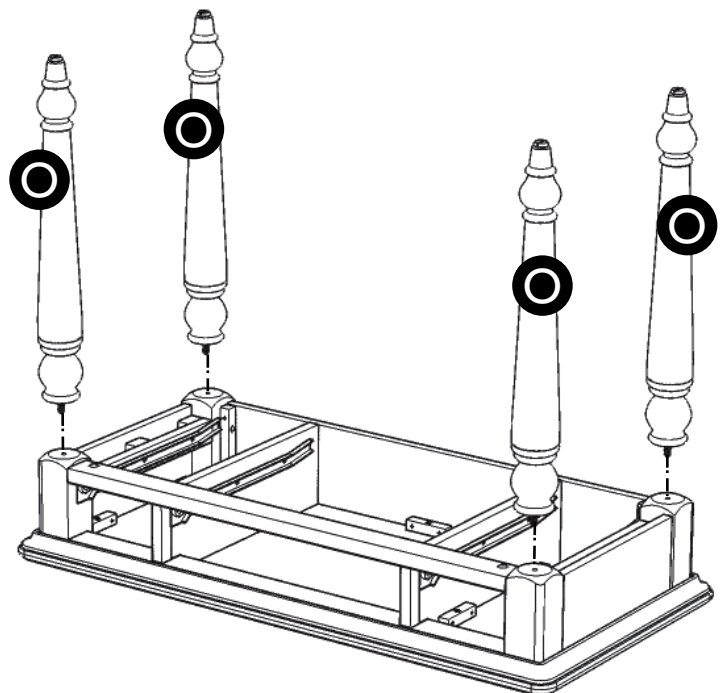
Place Top (B) upside down on a soft cloth.

Turn unit upside down, then attach unit to Top (B) with Flat Washers, Spring Washers and Head Cap Bolts.

Note: Arrow label indicates front of Top (B).

STEP 5

Insert Legs (O) into pre-drilled holes of unit, then tighten.



Assembly Instructions 4/7

STEP 6

Attach Middle Panels (I) and (J) to Back Panel (M) with Wood Screws. (See Figure 4)

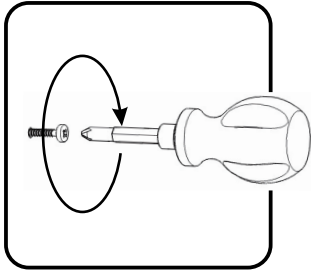
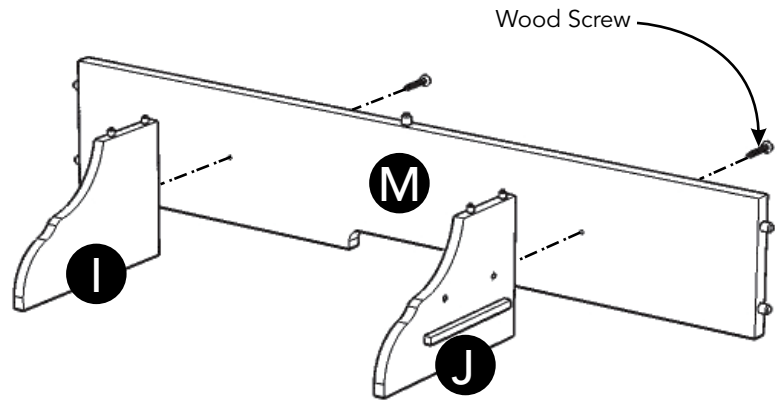


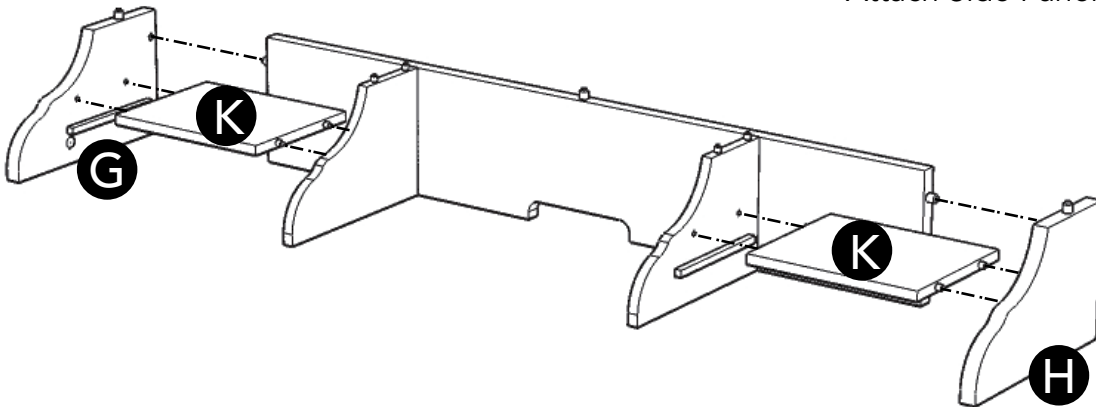
Figure 4



STEP 7

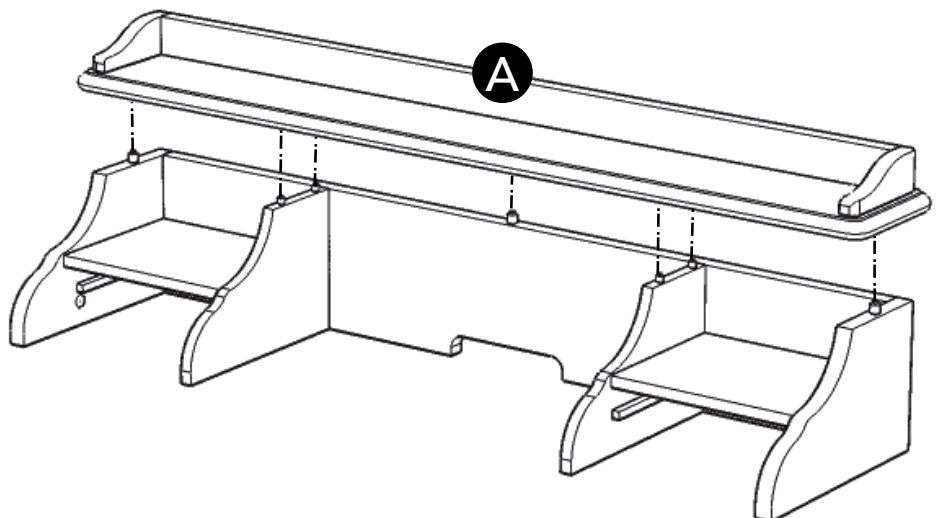
Attach Shelves (K) to unit.

Attach Side Panels (G) and (H) to unit.



STEP 8

Attach Top (A) to unit.



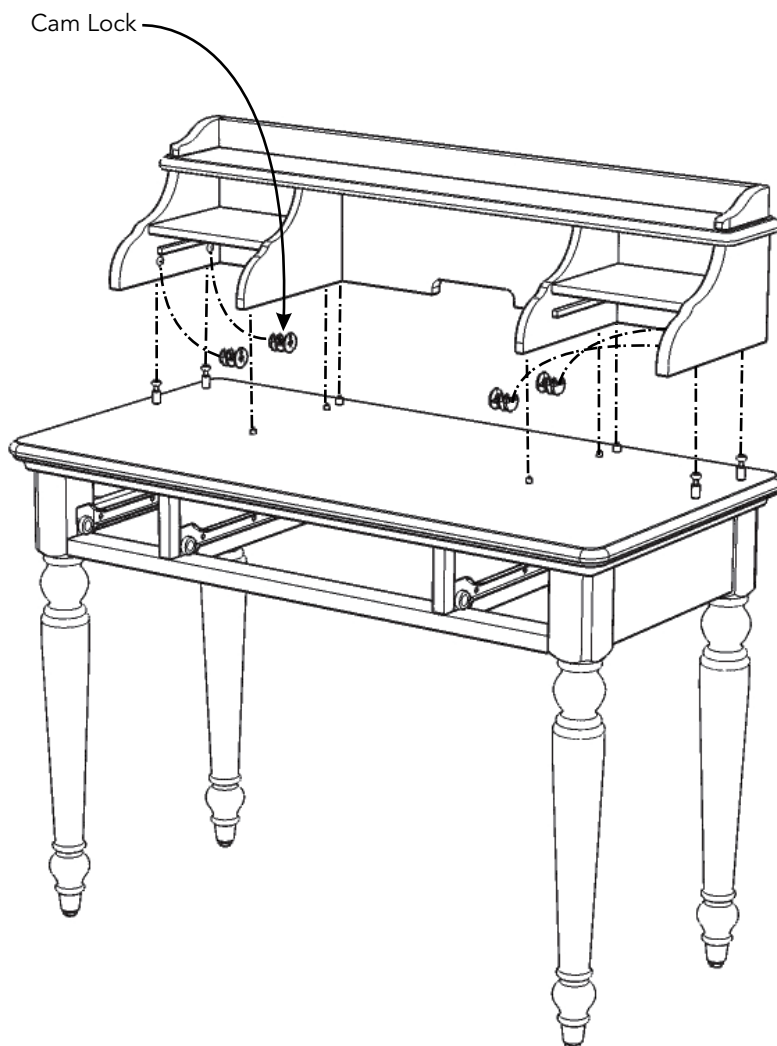
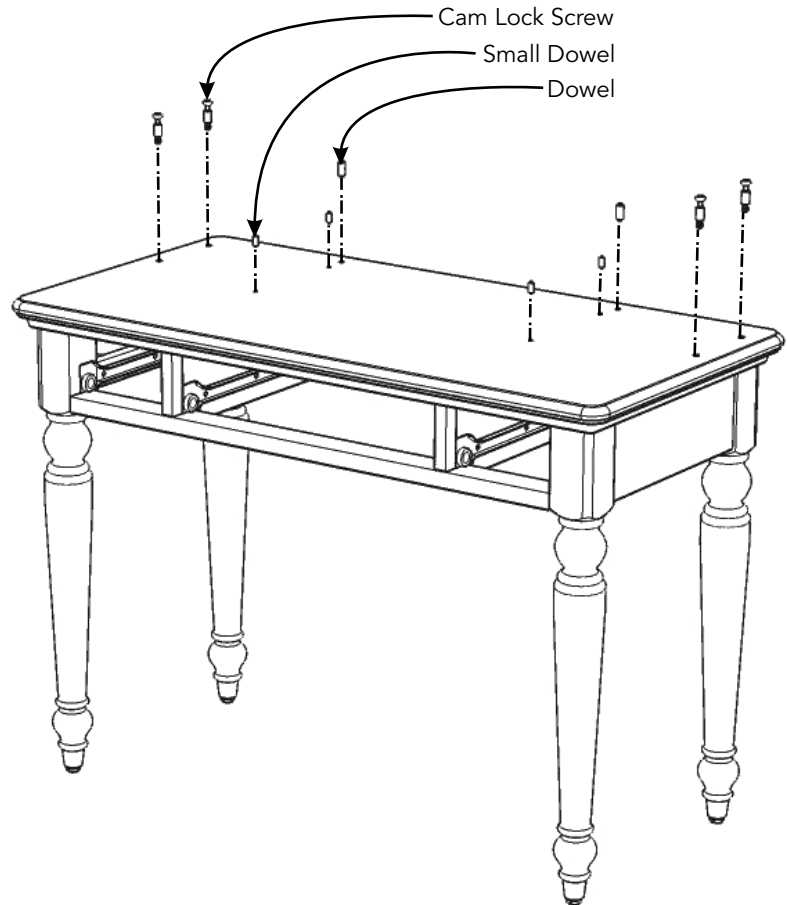
Assembly Instructions 5/7

STEP 9

Turn unit from Step 5 over to its' upright position.

Insert Cam Lock Screws into pre-drilled holes of unit, then tighten.

Insert Dowels and Small Dowels into pre-drilled holes of unit.

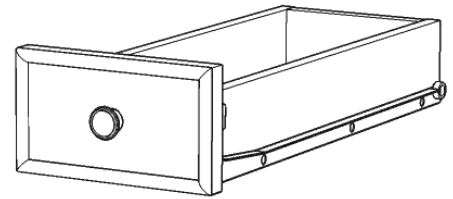


STEP 10

Attach unit from Step 8 to unit with Cam Locks.

Assembly Instructions 6/7

Drawer (Q)



STEP 11

Attach Drawer Sides (Q3) and (Q4) to Drawer Back (Q2), then flip the locks. (See Figures 5 and 6)

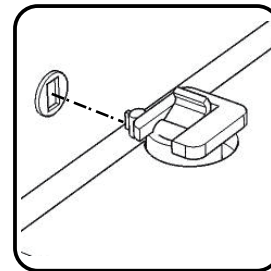
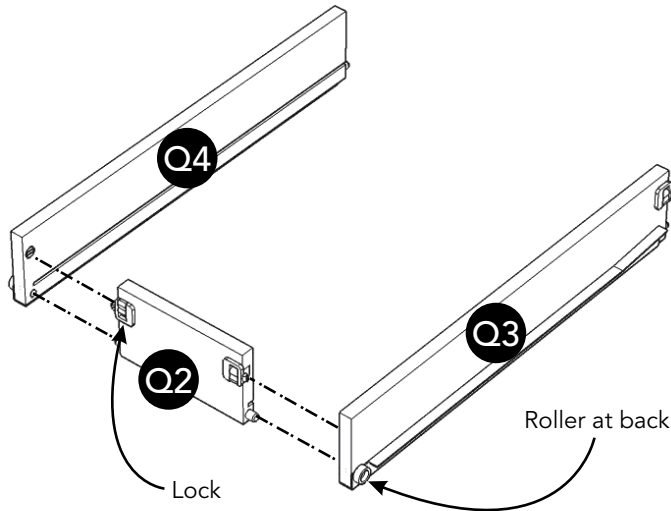


Figure 5

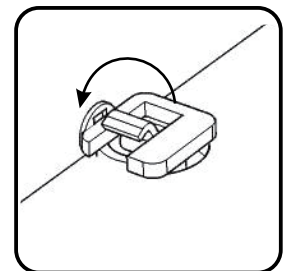
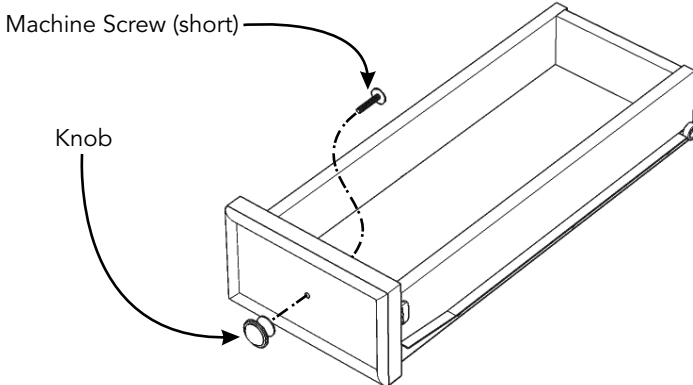
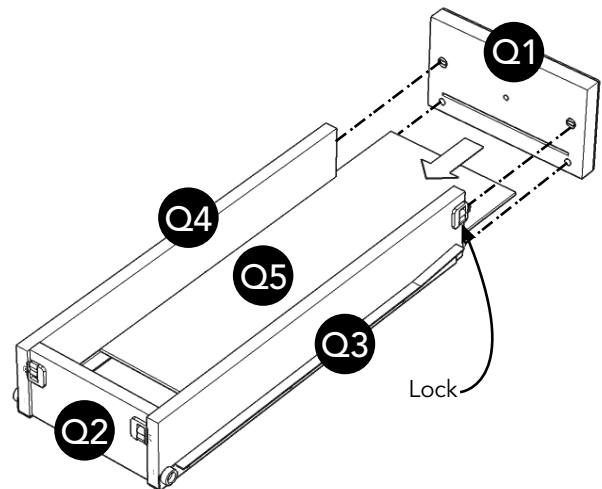


Figure 6

STEP 12

Slide Drawer Bottom (Q5) into the grooves of Drawer Sides (Q3) and (Q4) until it meets Drawer Back (Q2).

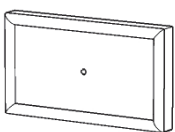
Attach Drawer Front (Q1) to unit, then flip the locks.



STEP 13

Attach Knob with Machine Screw (short).

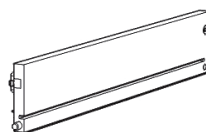
Part List



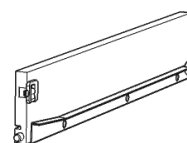
Q1.
Drawer Front
2 pcs.



Q2.
Drawer Back
2 pcs.



Q3.
Drawer Side
2 pcs.



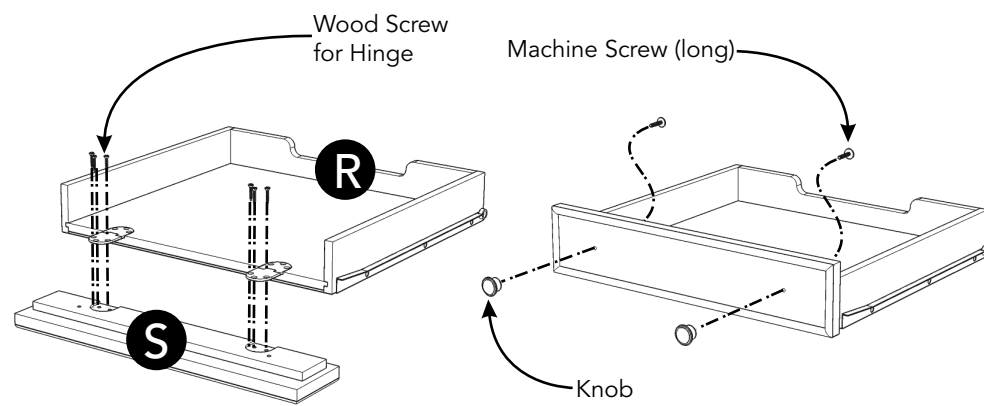
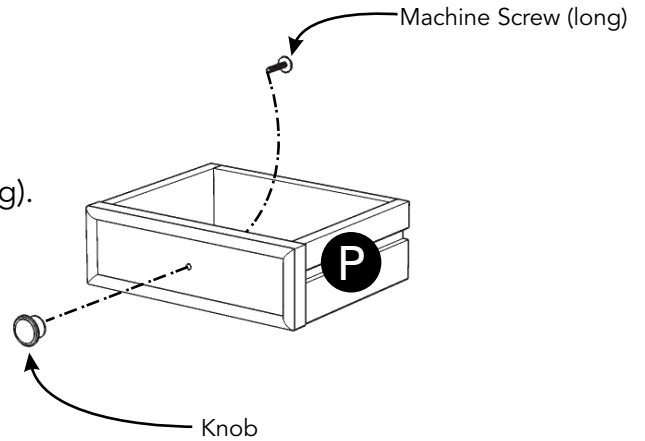
Q4.
Drawer Side
2 pcs.



Q5.
Drawer Bottom
2 pcs.

STEP 14

Attach Knobs to Drawers (P) with Machine Screws (long).



STEP 15

Attach Keyboard Front (S) to Keyboard (R) with Wood Screws for Hinge.

Attach Knobs to keyboard with Machine Screws (long).

STEP 16

Level unit by adjusting the adjustable levelers on bottom of legs. (See Figure 7)

Slide Drawers (P), (Q) and keyboard into position.

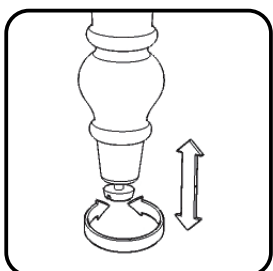
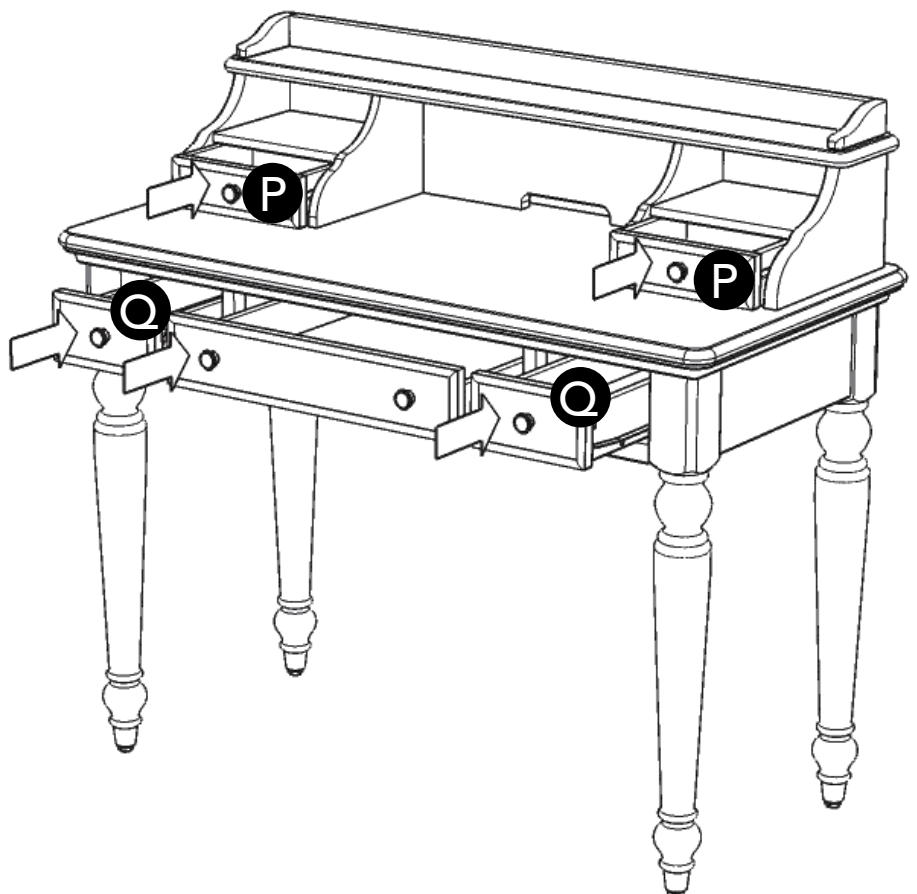


Figure 7



CARE INSTRUCTIONS

NEVER

allow liquids to remain on furniture.
Absorption causes parts to warp
and split and finishes to delaminate.

NEVER

use glass cleaners on
finished furniture. Ammonia
chemically attacks the finish.



Do not use power tools
above 8 volts to assemble.

**PREVENT
CRACKING**



Do not place
in direct sunlight.

**PREVENT
FADING**



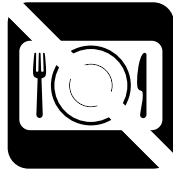
Do not write
directly on surface.

**PREVENT
MARKING**



Do not place hot
objects on surface.

**PREVENT
FINISH DAMAGE**



Do not use rubber
based placemats.

**PREVENT
DISCOLORING**



Do not use commercial
waxes and polishes.

**PREVENT
YELLOWING**

CLEAN

with a soft cloth moistened
in lukewarm soap and water.
Buff with a dry clean cloth.



Home Styles will provide replacements free of charge for missing or damaged hardware or parts within 30 days of purchase. Digital images of the defective parts may be required. If the product was not purchased from an authorized retail affiliate, Home Styles is under no obligation to provide replacement parts. Parts are not available for fully assembled items nor are parts available for sale. Replacements for missing or damaged hardware or parts may be requested at:

www.homestyles-furniture.com/customer-service/replacement-parts

Home Styles Customer Service: www.homestyles-furniture.com,
servicedesk@homestyles-furniture.com, 888-680-7460, 877-831-0319