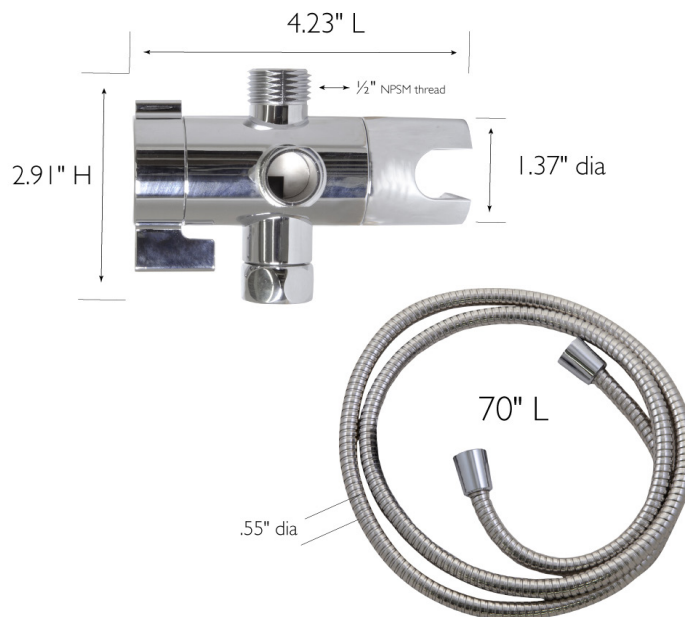


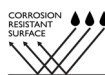
Three-Way Shower Diverter Polished Chrome



SPECIFICATIONS

MATERIAL:	Zinc/ABS
DIMENSIONS:	2.91" H x 4.23" L x 1.37" dia
HOSE DIMENSIONS:	70" L dia
WEIGHT:	0.78 lbs.
VALVE INCLUDED:	Yes
PRESSURE BALANCED VALVE:	No

WARRANTY:	5-Year limited warranty
UPC CERTIFICATION NAME:	cUPC
WATERSENSE:	Yes



TYPE:	
JOB:	
ORDER CODE:	
APPROVALS:	