

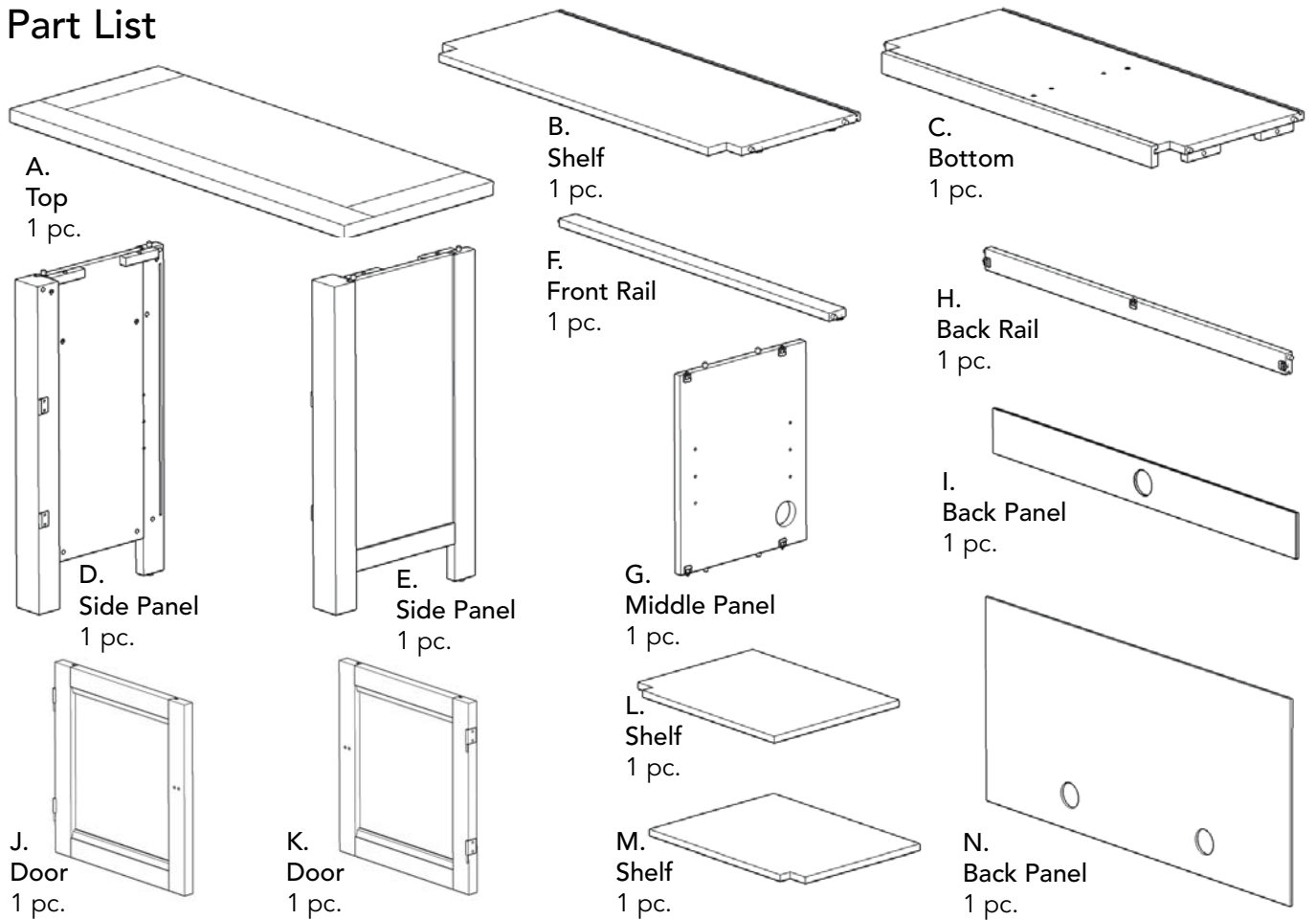
**IMPORTANT**

Carefully remove all the parts from the carton and place them individually on a soft cloth to prevent scratches or other damage.

Carefully and strictly follow these assembly instructions to ensure a completed product as designed.

Do not use power tools above 8 volts to assemble.

**Part List**



**Hardware List**



Tool(s) required for assembly: Phillips screwdriver, Level

## Assembly Instructions 2/5

### IMPORTANT

- Use a soft cloth between these parts and the floor.
- Do not use power tools above 8 volts to assemble.
- Do not tighten all the bolts until each part is properly assembled.
- The unit must be level to work properly. Use the included adjustable levelers to level.
- Keep Hex Wrench in a safe place as the bolts may need to be tightened up in the future.

### STEP 1

Attach Magnets to Shelf (B) with Wood Screws. (See Figure 1)

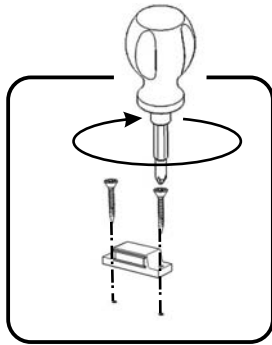
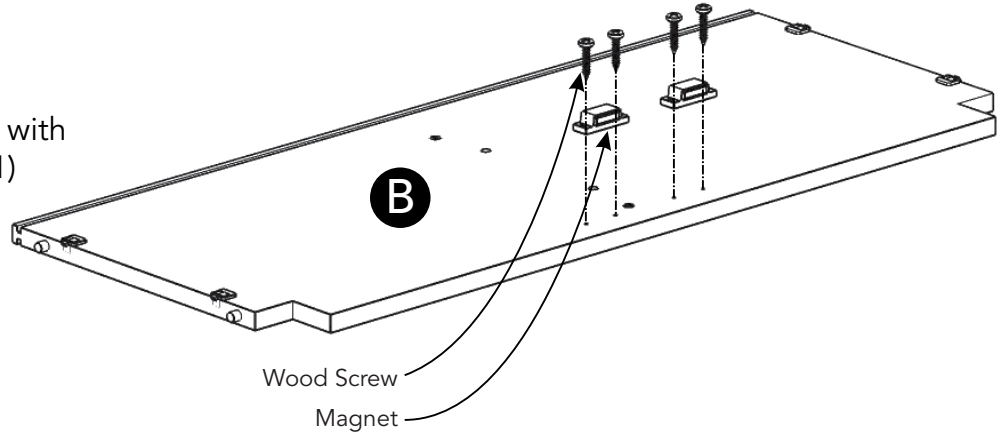


Figure 1

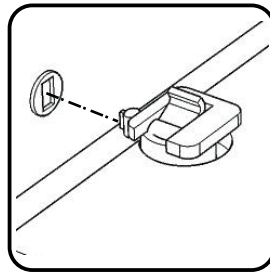


Figure 2

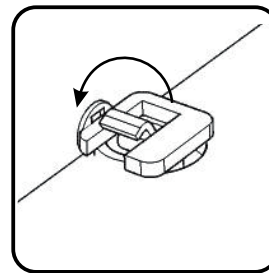
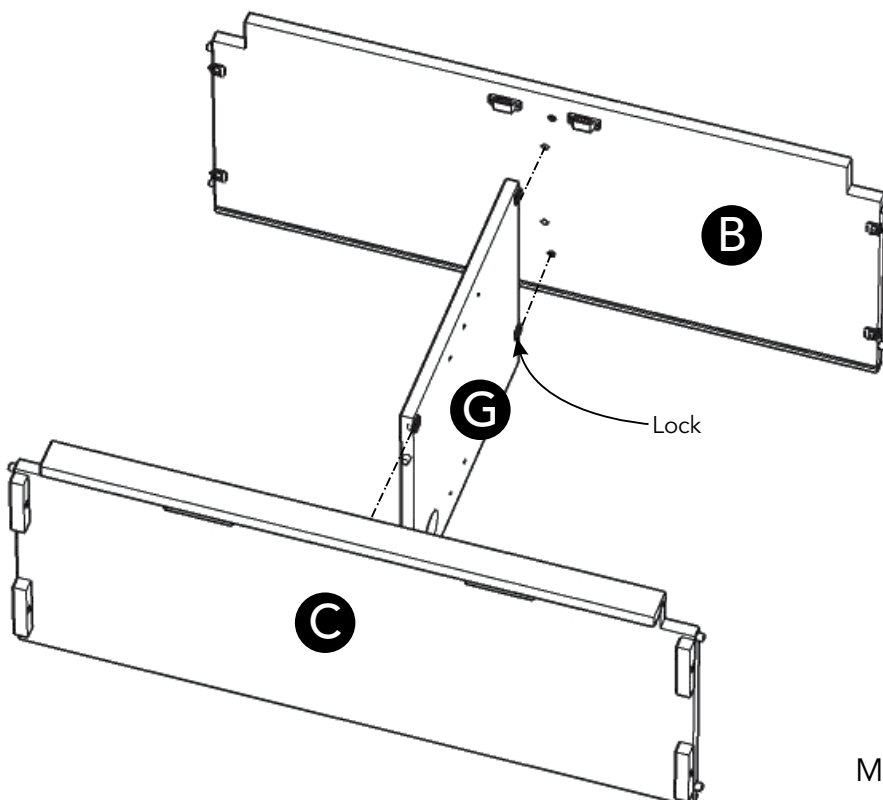


Figure 3



### STEP 2

Attach Bottom (C) and Shelf (B) to Middle Panel (G), then flip the locks. (See Figures 2 and 3)

## STEP 3

Attach Side Panel (E) to unit with Flat Washers, Spring Washers and Head Cap Bolts, then flip the locks. (See Figure 4)

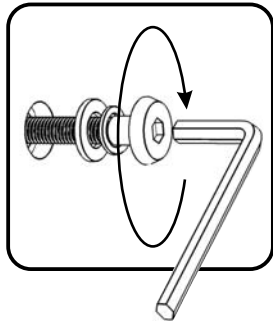
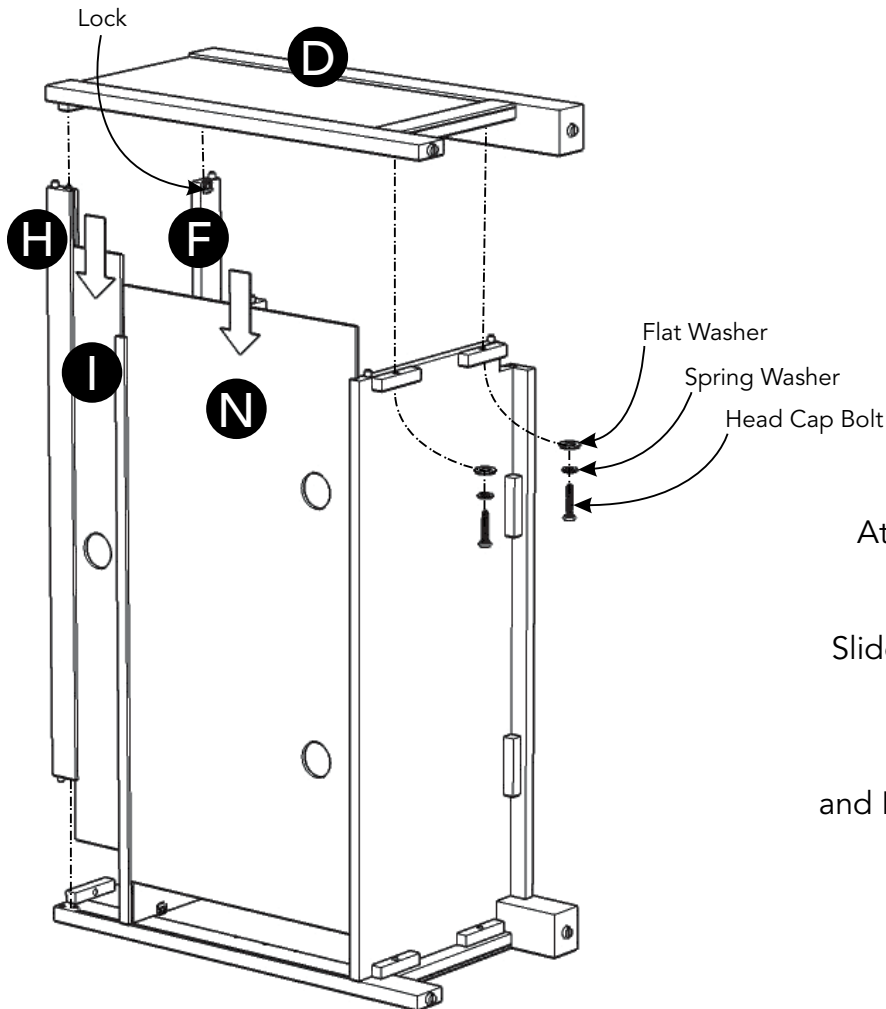
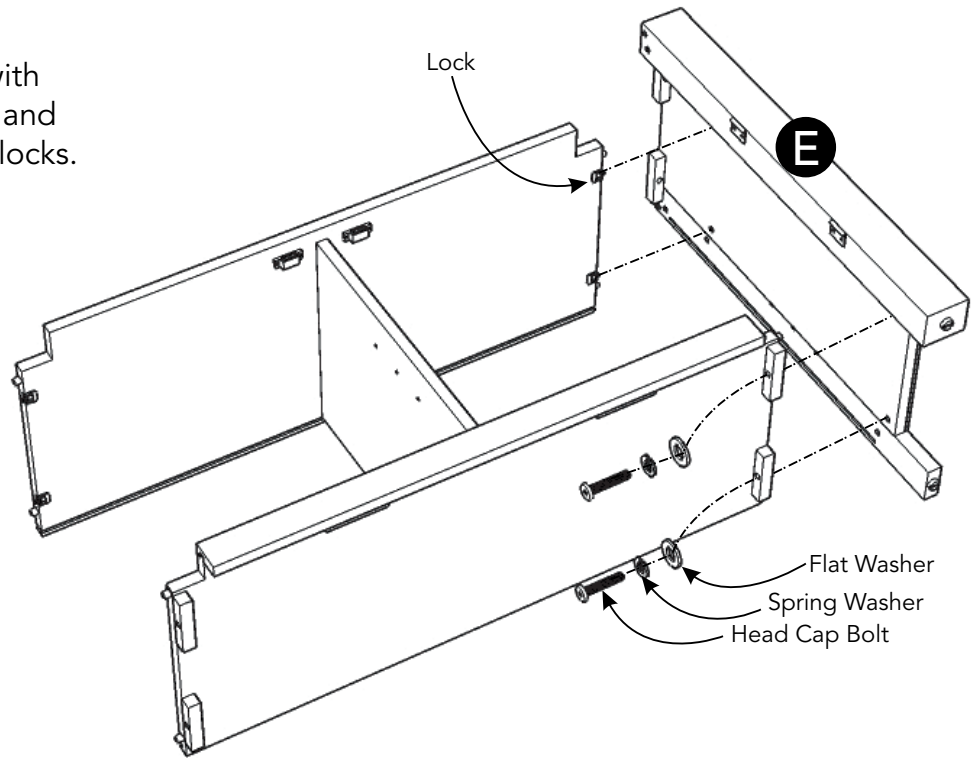


Figure 4



## STEP 4

Attach Front Rail (F) and Back Rail (H) to unit, then flip the locks.

Slide Back Panels (I) and (N) into place.

Attach Side Panel (D) to unit with Flat Washers, Spring Washers and Head Cap Bolts, then flip the locks.

## Assembly Instructions 4/5

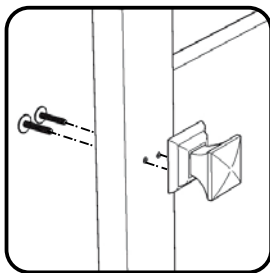
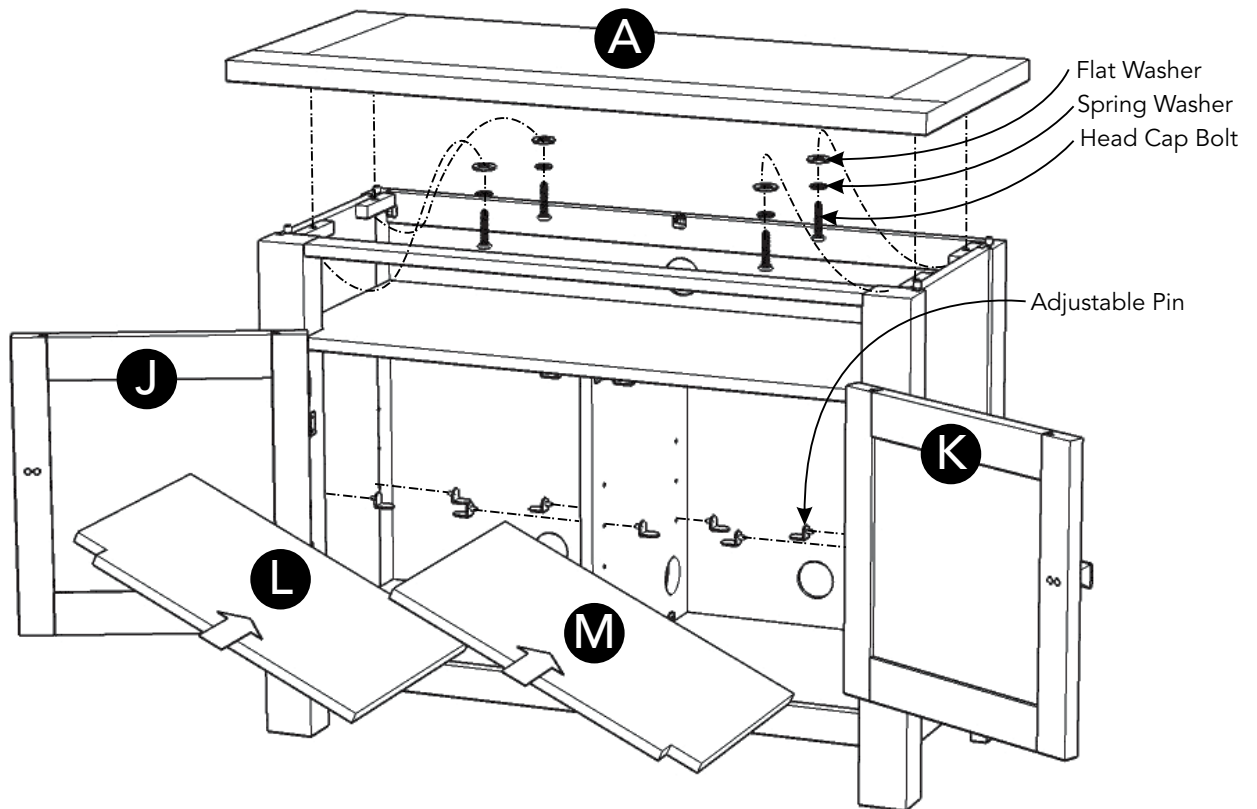


Figure 5

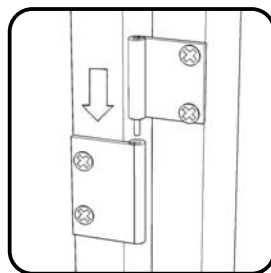


Figure 6

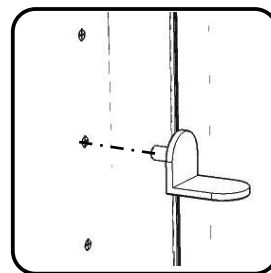


Figure 7

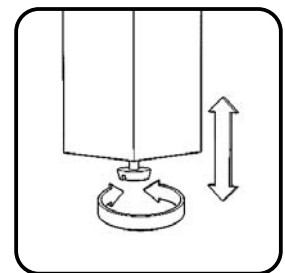


Figure 8

### STEP 5

Attach Top (A) to unit with Flat Washers, Spring Washers and Head Cap Bolts, then flip the lock.

Attach Knobs to Doors (J) and (K) with Machine Screws. (See Figure 5)

Attach Doors (J) and (K) to unit by sliding the door lift hinges into the side panel lift hinges. (See Figure 6)

Insert Adjustable Pins into middle panel and side panels at the desired level. (See Figure 7)

Place Shelves (L) and (M) into position.

Level the unit by adjusting the adjustable levelers on the bottom of legs. (See Figure 8)

Note: Unit must be level to work properly.

# Assembly Instructions 5/5

## IMPORTANT

- To help reduce the risk of the unit tipping over, the Tipover Restraint must be installed following these instructions exactly.

## STEP 6

Drill a 3/8" hole in wall in-line with the pre-drilled hole at top of unit.

Move unit.

Insert Anchor into the wall hole and attach Bracket with Wall Screw.

Attach Bracket at pre-drilled hole at top of unit with Wood Screw.

Move unit back into place.

Slide Tipover Restraint through Bracket on wall and Bracket on unit. (See Figure 9)

Put tie end of Tipover Restraint into lock end of Tipover Restraint and pull until tight.

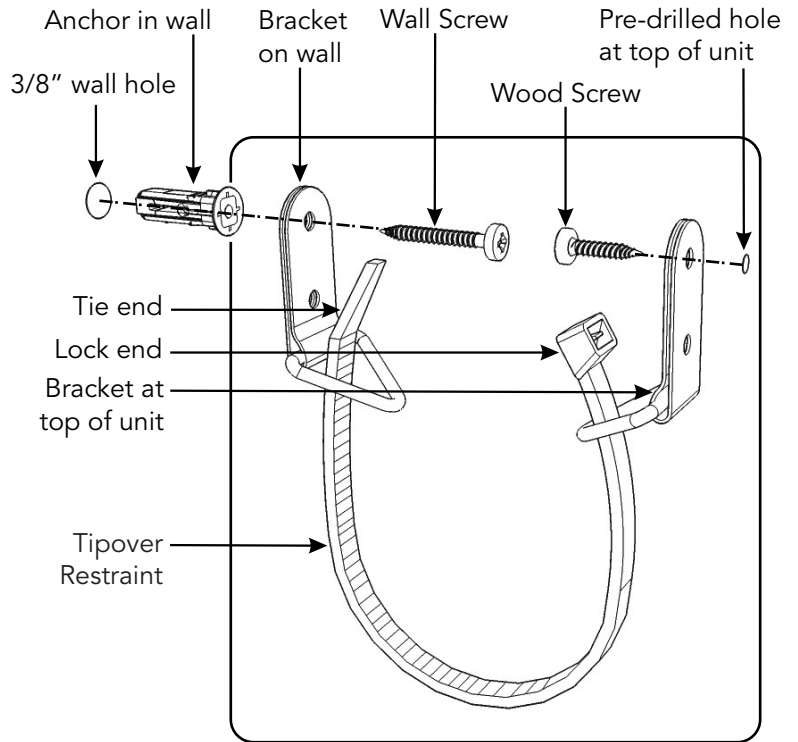
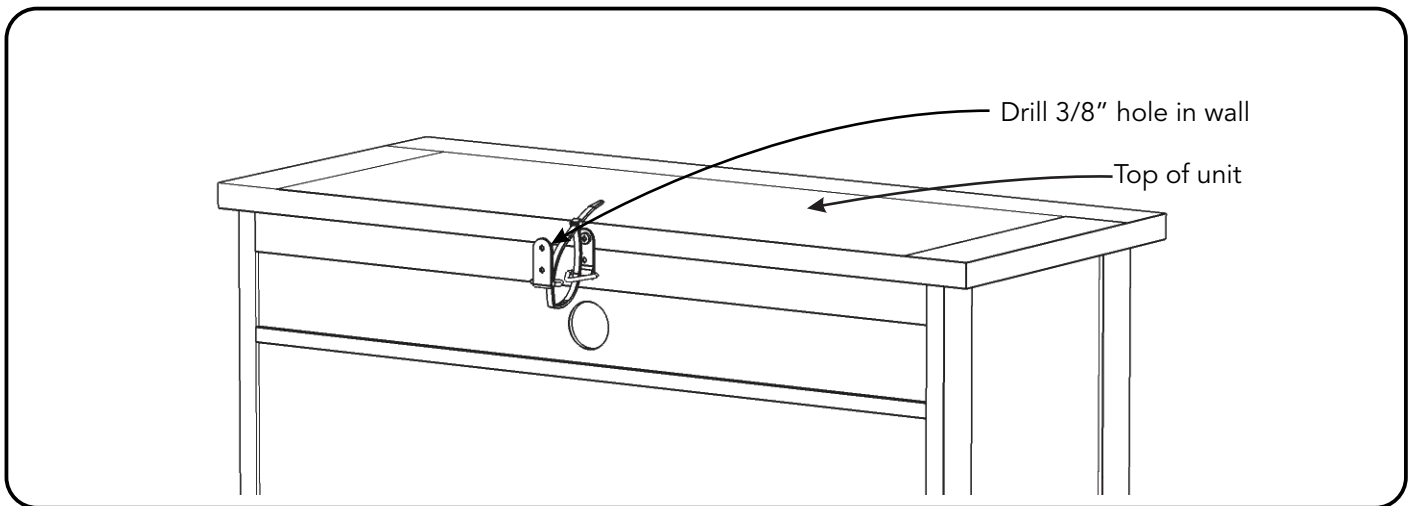
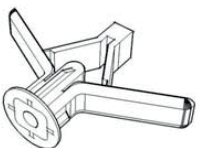


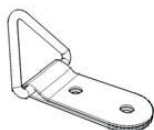
Figure 9



## Hardware List



Anchor  
1 pc. (+1 extra)



Bracket  
2 pcs. (+1 extra)



Tipover Restraint  
1 pc. (+1 extra)



M3.5x40  
Wall Screw  
1 pc. (+1 extra)



M3.5x16  
Wood Screw  
1 pc. (+1 extra)

# CARE INSTRUCTIONS

## NEVER

allow liquids to remain on furniture.  
Absorption causes parts to warp  
and split and finishes to delaminate.

## NEVER

use glass cleaners on  
finished furniture. Ammonia  
chemically attacks the finish.



Do not use power tools  
above 8 volts to assemble.  
**PREVENT  
CRACKING**



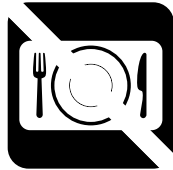
Do not place  
in direct sunlight.  
**PREVENT  
FADING**



Do not write  
directly on surface.  
**PREVENT  
MARKING**



Do not place hot  
objects on surface.  
**PREVENT  
FINISH DAMAGE**



Do not use rubber  
based placemats.  
**PREVENT  
DISCOLORING**



Do not use commercial  
waxes and polishes.  
**PREVENT  
YELLOWING**

## CLEAN

with a soft cloth moistened  
in lukewarm soap and water.  
Buff with a dry clean cloth.



Home Styles will provide replacements free of charge for missing or damaged hardware or parts within 30 days of purchase. Digital images of the defective parts may be required. If the product was not purchased from an authorized retail affiliate, Home Styles is under no obligation to provide replacement parts. Parts are not available for fully assembled items nor are parts available for sale. Replacements for missing or damaged hardware or parts may be requested at:

[www.homestyles-furniture.com/customer-service/replacement-parts](http://www.homestyles-furniture.com/customer-service/replacement-parts)

Home Styles Customer Service: [www.homestyles-furniture.com](http://www.homestyles-furniture.com),  
[servicedesk@homestyles-furniture.com](mailto:servicedesk@homestyles-furniture.com), 888-680-7460, 877-831-0319