



XOU24ORSF_
UNDERCOUNTER BEVERAGE CENTER



Zero clearance hinges
for a flush installation

Clear glass shelves slide out
easy to store and find things

Secure door lock

Tri-color interior LED lighting

24" UNDERCOUNTER OUTDOOR REFRIGERATOR

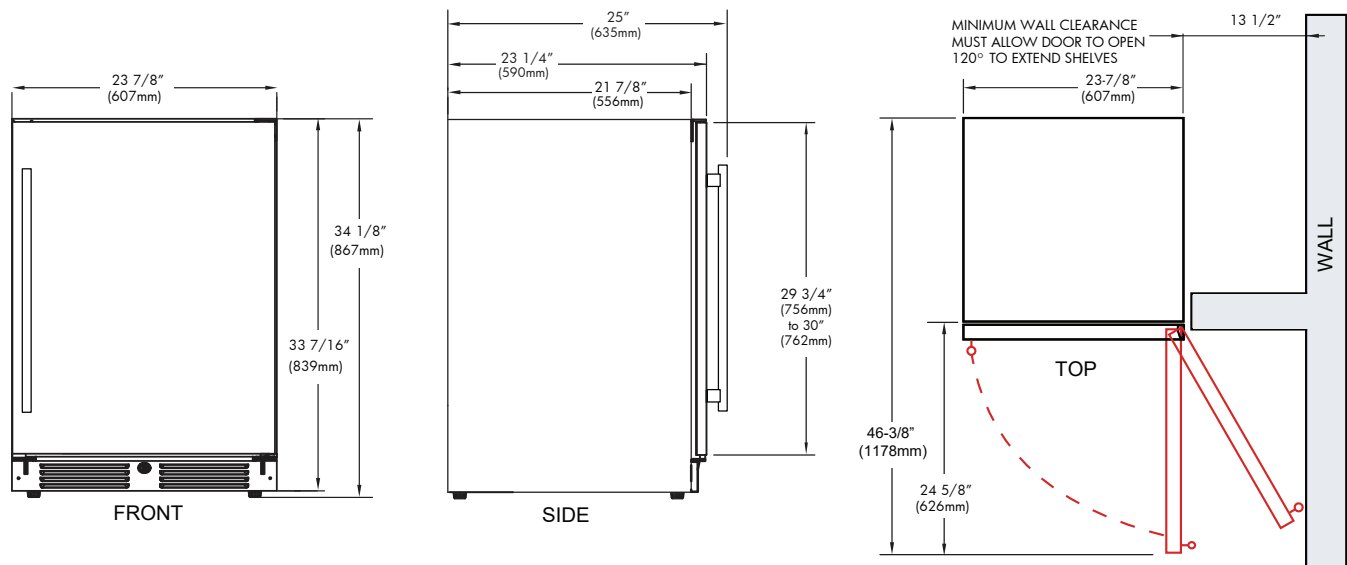
Store up to 145 (12oz) cans at a frosty 34° to 50°F and still find just what your are looking for. The clear glass shelves slide out while fully loaded making it easier to store and locate contents at a glance. No more fumbling around or emptying the unit to find what you want.

WORLD CLASS SERVICE | COMPREHENSIVE WARRANTIES

OUR LASTING COMMITMENT TO YOU



*Specify **R** for right hand hinge - or - **L** for left hand hinge



FEATURES

- CAPACITY** Full extension clear glass shelves hold 145 (12oz) cans at 34° to 50 °F

- Zero clearance hinges for flush integration*
- Secure door lock
- FEATURES** Non- reversible door - specify right or left hinge
- Library quiet 39 dBA operation
- Elegant tri-color interior illumination
- Intuitive digital touch controls
- 6-1/2' Power Cord with low profile 90° flat plug
- Low E Glass blocks harmful UV light
- Alarm Functions
- Energy Saver and Sabbath Mode

* Note: zero clearance hinges are visible just above and below the door panel

SPECIFICATIONS

- ELECTRICAL** 120V 60HZ 4.35 AMP*
- DIMENSIONS** H 34 1/8"
W 23 7/8"
D 23 1/4"
- ROUGH IN** H 34 1/4" min
W 24"
D 24"
- REFRIGERANT** R600A

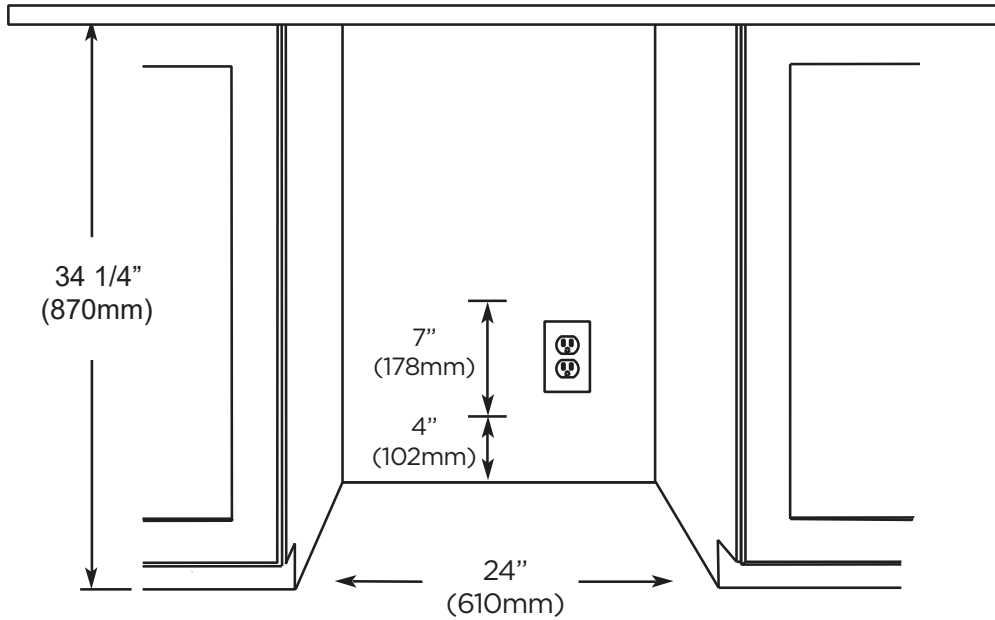


xoappliance.com | 800.966.8300



XO is exclusively distributed by
EASTERN MARKETING CORP.
24 Eisenhower Parkway
Roseland, NJ 07068

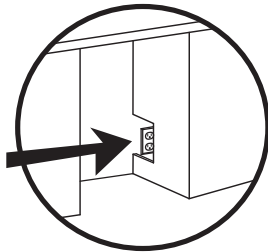
ROUGH IN DIMENSIONS



ALL XO UNDERCOUNTER
UNITS ARRIVE PRE-WIRED
WITH LOW PROFILE PLUGS
FOR EASY INSTALLATION

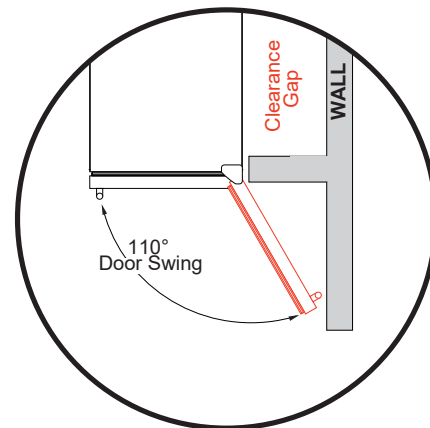


NEED MORE SPACE -
CUT INTO AN ADJOINING
CABINET TO REACH AN
OUTLET THERE



WHEN INSTALLING WITH
THE HINGE SIDE NEXT TO A WALL -
LEAVE 13 1/2" CLEARANCE GAP FOR
CABINET HANDLES

DOOR MUST OPEN
A MINIMUM OF 110°.



THE DOOR STOP IS SET AT 110°
BUT CAN BE RESET TO 90° OR 140°.

IF THE DOOR CANNOT OPEN FULLY
YOU CANNOT EXTEND THE SHELVES.

CONSULT THE MANUAL FOR
INSTRUCTIONS ON CHANGING
THE DOOR STOP SETTING.

