

SPECIFICATIONS

DESCRIPTION

- Supplied as 5 Boxed
- Manufactured in the UK
- Supplied with M4x45 Panhead Cabinet Screw
- Compliments Perrin and Rowe Tap Styling

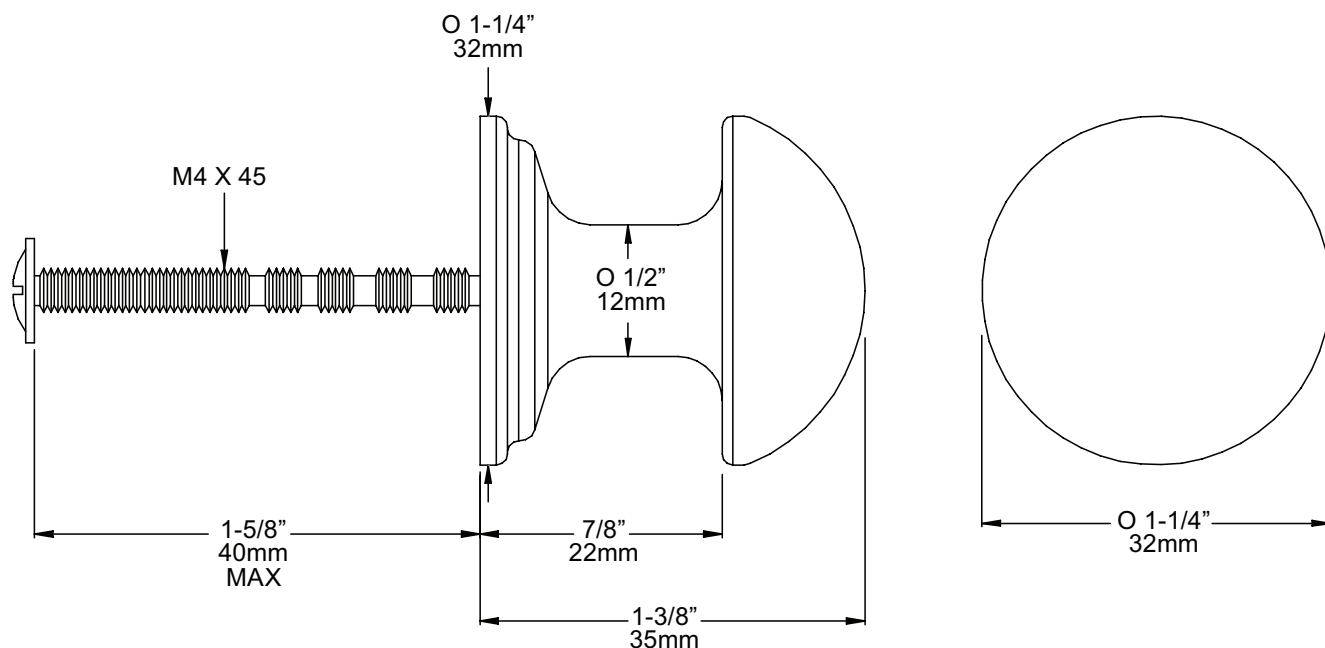
WARRANTY

- Consult your local House of Rohl showroom for additional information and specifications. For complete warranty details and a list of showrooms, go to houseofrohl.com



Large Button Drawer Handle

MODEL: U.6580



For warranty or additional information, contact:

US Customers

U.S.A.
houseofrohl.com/support
1-800-777-9762

Canadian Customers

QUEBEC / MARITIMES / WESTERN CANADA
houseofrohl.ca/support
1-866-473-8442

ONTARIO
houseofrohl.ca/support
1-800-287-5354