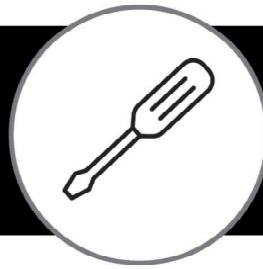


Assembly Guide



Bush
FURNITURE

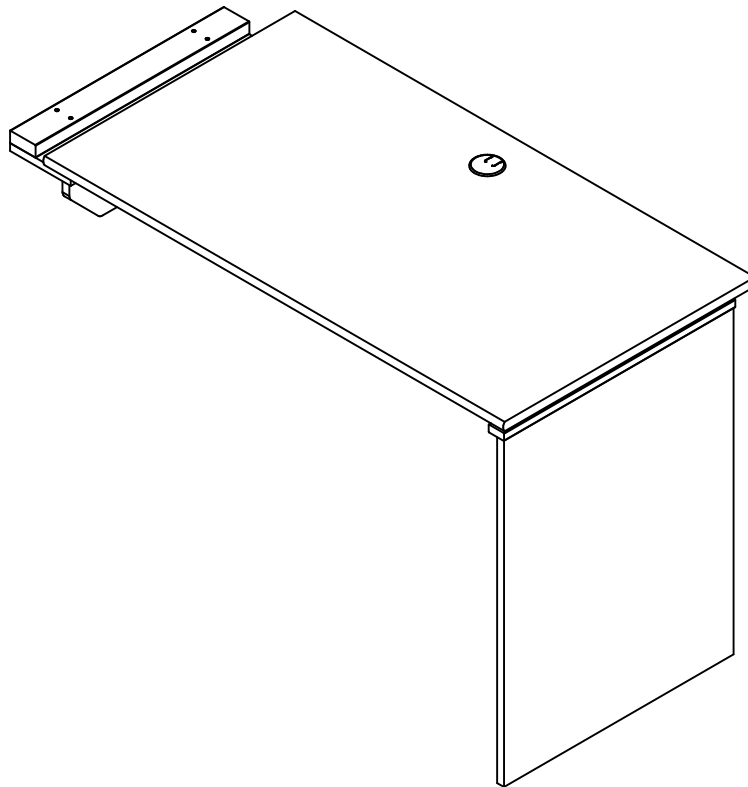


If you're having any difficulty during assembly of this product, don't hesitate to call us at **1-800-950-4782.**

Our customer service experts are trained to provide step-by-step instruction and can easily replace any missing or damaged parts.

Representatives are available Monday-Friday from 8:30 a.m. to 7:30 p.m. (ET)

42W Sit to Stand Return



Lot Code #

Instruction Sheet Number A210470A

Keep manual for future reference.

For best results, keep these tips in mind:

- ① We know you want to finish this assembly as quickly as possible, but trust us: you'll have a better experience if you take it one step at a time.
- ② Give yourself some room to work near where you want the fully assembled product.
- ③ If your floor isn't carpeted, assemble this product on the empty carton to avoid scratching.
- ④ Do you have a friend who owes you a favor? Some steps may go a little easier with a second set of hands.

DOs

- ✔ Use a #2 Phillips head screwdriver (or other handheld tools as indicated)
- ✔ Wear safety glasses at all times during assembly
- ✔ Carefully follow the instructions in this guide and complete all steps in order
- ✔ Give us a call if you're having trouble with a particularly tricky step

DON'Ts

- ✘ We know power tools are quick and easy, but you shouldn't use them when assembling this product (unless otherwise specified)
- ✘ Never move your furniture with items inside or resting on the surface
- ✘ Do not attempt to use this product before all steps have been completed

Watch assembly videos right on your phone or computer!



Some steps include QR codes that link to helpful videos. Watch out for the icon below! Simply open up your smartphone camera to scan the code.

(Users of older smartphones may need to install a QR Reader.)

SCAN HERE



FOR VIDEOS

Or visit <https://bushfurniture.com/help-faq/#assembling>



IMPORTANT SAFETY INFORMATION



PLEASE READ WARNINGS

Improper use can cause safety hazards, or damage to your furniture and household items.

Warning	Do	Don't	Why it's important
Serious injury may occur.	<ul style="list-style-type: none">Assemble following all instructions using all indicated parts and hardware provided.	<ul style="list-style-type: none">Do not move unit when loaded.Do not load with a television or other heavy equipment.Do not exceed the maximum load limits stated in the instructions.Do not sit or stand on adjustable height work surface.	Improper assembly, use or loading can lead to product instability, tip-over or collapse.
Serious injury may occur.	<ul style="list-style-type: none">Maintain 1 inch (25mm) clearance between desk and all other furniture at all times.	<ul style="list-style-type: none">Do not place hands close to the mechanism when lifting or lowering the work surface.	Pinch points exist in the mechanism and may be created by placing the desk too close to other furniture and objects.

Advertencia	Hacer	No	Por qué es importante
Se pueden producir lesiones graves.	<ul style="list-style-type: none">Ensamble siguiendo todas las instrucciones utilizando todas las piezas y ferretería indicados provistos.	<ul style="list-style-type: none">No mueva la unidad cuando esté cargada.No cargue con un televisor u otro equipo pesado.No exceda los límites máximos de carga establecidos en las instrucciones.No se siente ni se pare sobre una superficie de trabajo de altura ajustable.	El ensamblaje, uso o carga inadecuados pueden provocar inestabilidad del producto, vuelco o colapso.
Se pueden producir lesiones graves.	<ul style="list-style-type: none">Mantenga un espacio de 1 pulgada (25 mm) entre el escritorio y todos los demás muebles en todo momento.	<ul style="list-style-type: none">No coloque las manos cerca del mecanismo cuando levante o baje la superficie de trabajo.	Existen puntos de pellizco en el mecanismo y pueden crearse colocando el escritorio demasiado cerca de otros muebles y objetos.

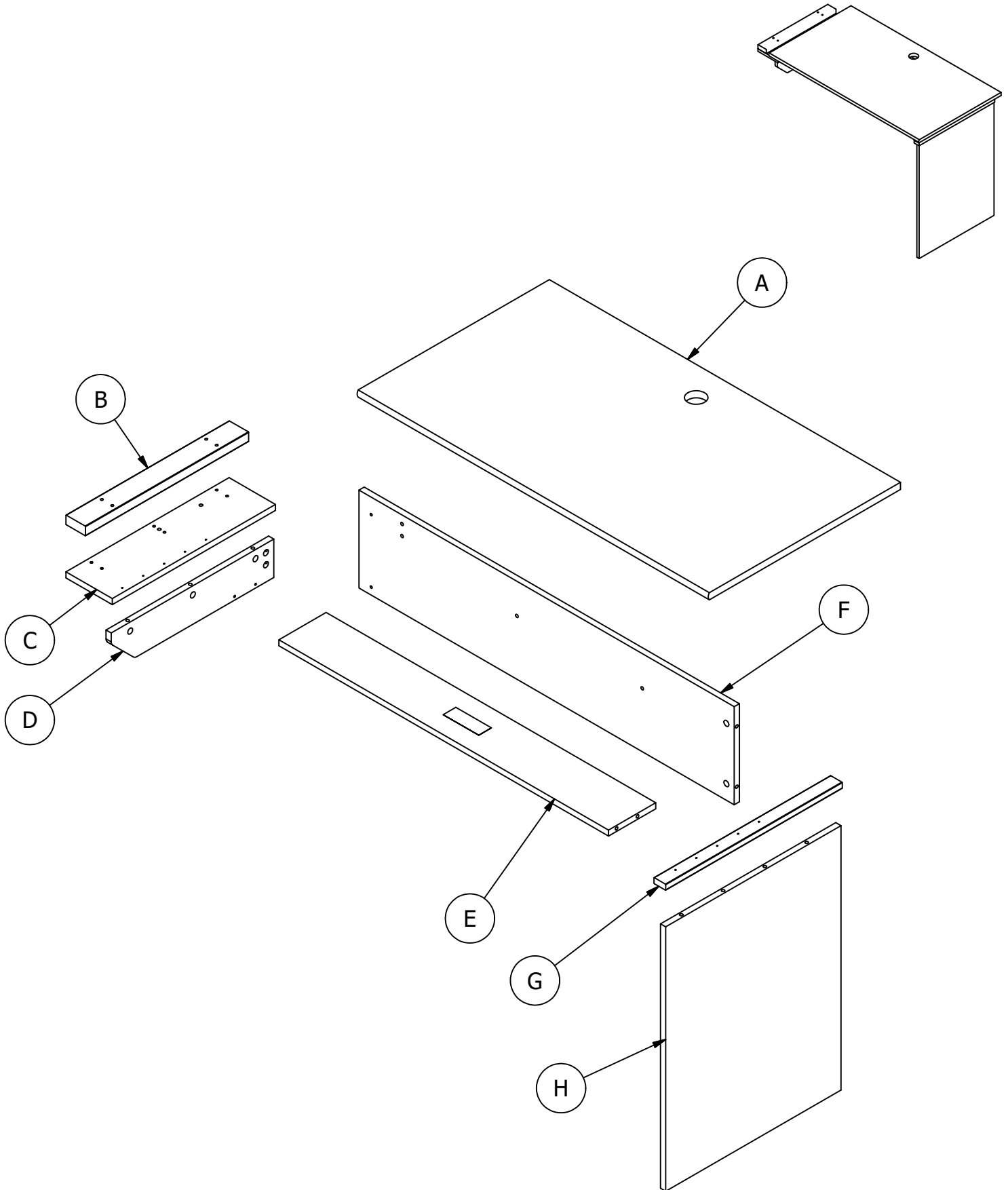
IMPORTANT SAFETY INFORMATION



PLEASE READ WARNINGS

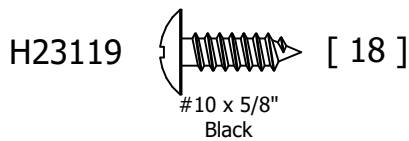
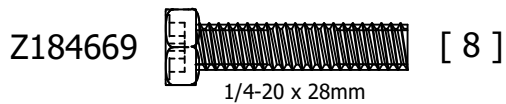
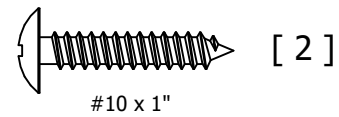
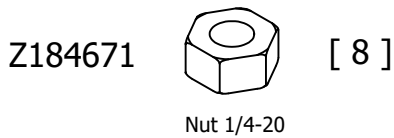
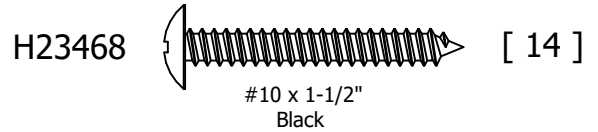
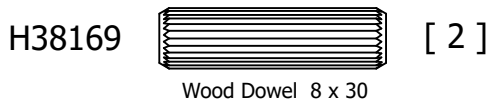
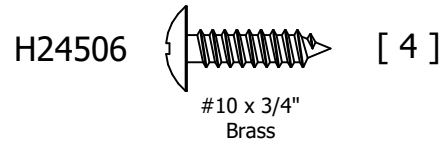
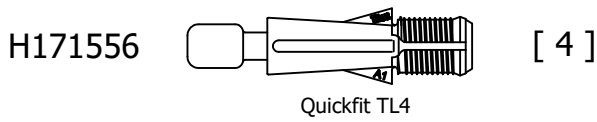
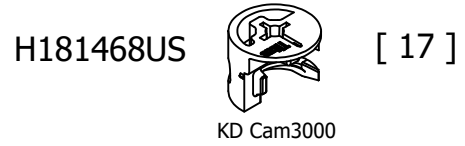
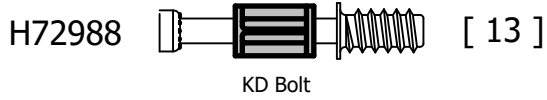
Improper use can cause safety hazards, or damage to your furniture and household items.

Avertissement	Faire	Ne le fais pas	Pourquoi c'est important
Des blessures graves peuvent survenir.	<ul style="list-style-type: none">Assemblez en suivant toutes les instructions en utilisant toutes les pièces et le matériel indiqués fournis.	<ul style="list-style-type: none">Ne déplacez pas l'unité lorsqu'elle est chargée.Ne chargez pas avec un téléviseur ou un autre équipement lourd.Ne dépassez pas les limites de charge maximale indiquées dans les instructions.Ne vous asseyez pas ou ne vous tenez pas debout sur une surface de travail à hauteur réglable.	Un assemblage, une utilisation ou un chargement incorrects peuvent entraîner une instabilité du produit, un renversement ou un effondrement.
Des blessures graves peuvent survenir.	<ul style="list-style-type: none">Maintenez un espace de 1 pouce (25 mm) entre le bureau et tous les autres meubles en tout temps.	<ul style="list-style-type: none">Ne placez pas les mains près du mécanisme lorsque vous soulevez ou abaissez la surface de travail.	Des points de pincement existent dans le mécanisme et peuvent être créés en plaçant le bureau trop près d'autres meubles et objets.



Have an assembly question or need a replacement part? Just call
1-800-950-4782, we are here to help.

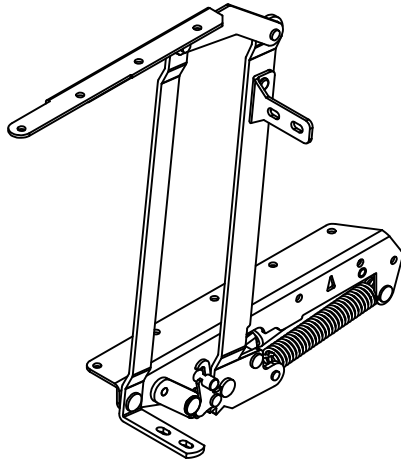
Fasteners are shown actual size.



Have an assembly question or need a replacement part? Just call
1-800-950-4782, we are here to help.

Hardware not to scale.

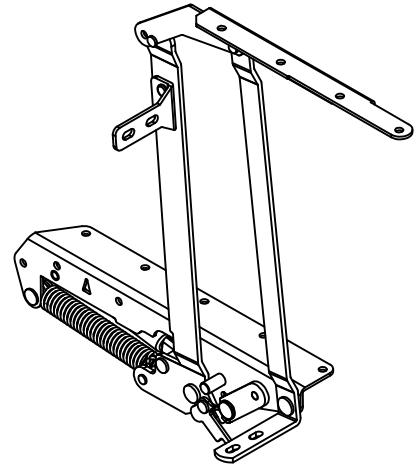
Z184667



[1]

Left Side Mechanism

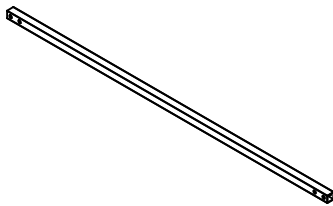
Z184666



[1]

Right Side Mechanism

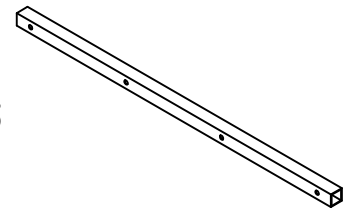
H189068



[2]

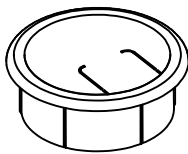
Connecting Bar

H181315



[1]

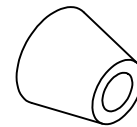
Stiffener



[1]

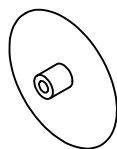
Grommet

H184655



[4]

Bumper



[11]

Cover Cap

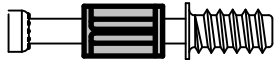
Have an assembly question or need a replacement part? Just call
1-800-950-4782, we are here to help.

STEP 1

Prepare Panels

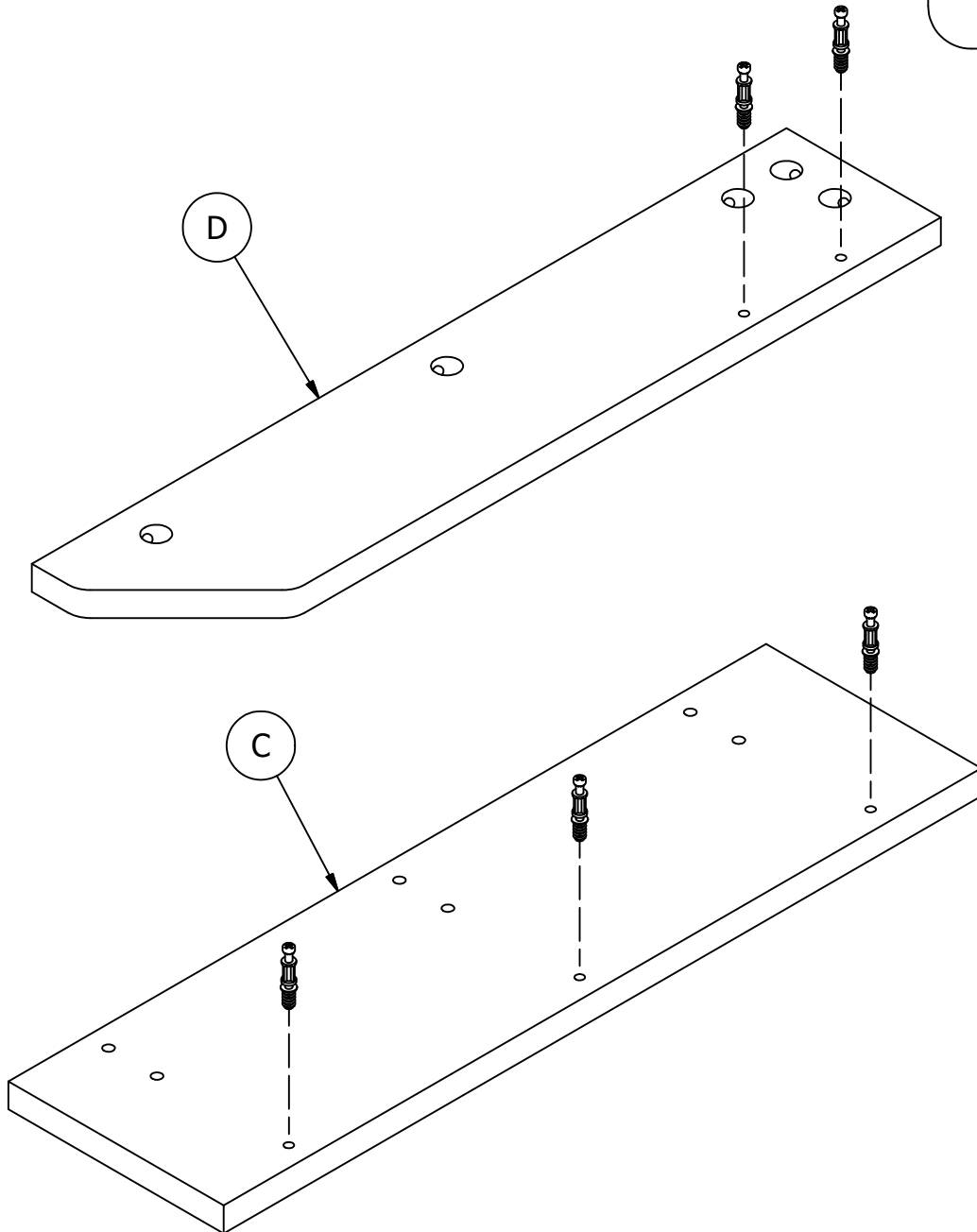
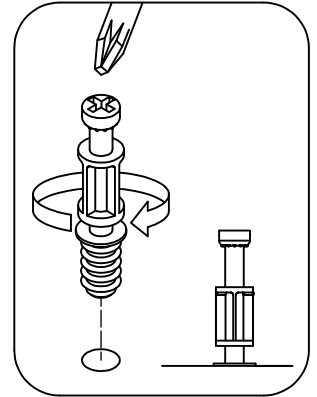
A210470A

H72988



[5]

KD Bolt



Have an assembly question or need a replacement part? Just call
1-800-950-4782, we are here to help.

STEP 2

Assemble Panels

A210470A

Scan QR Code to
Watch Video on:



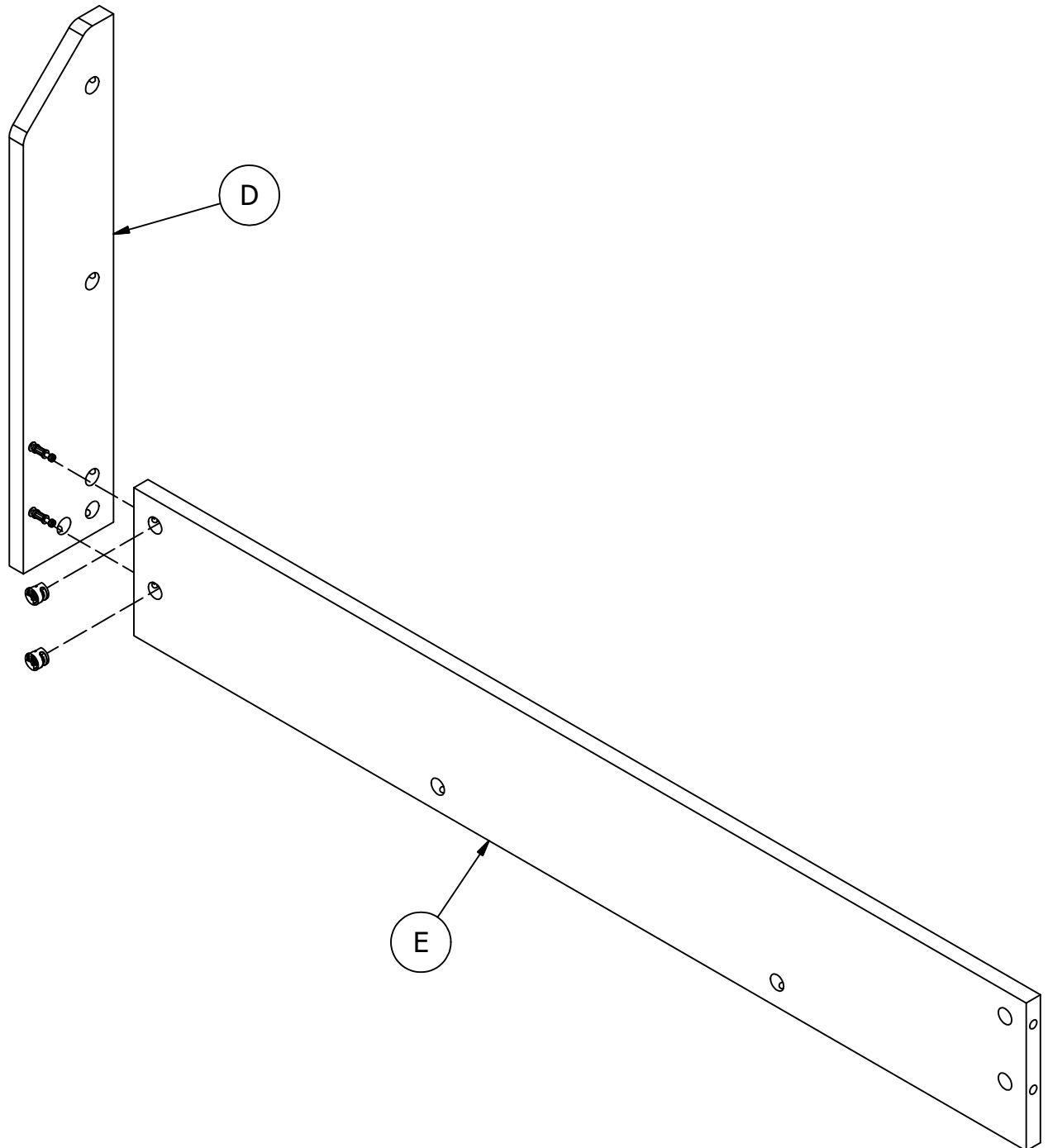
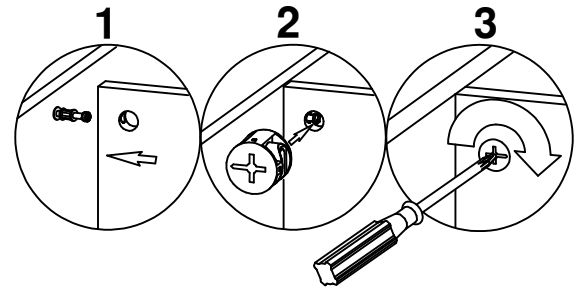
How to Tighten
KD Cams

H181468US



[2]

KD Cam3000



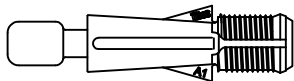
Have an assembly question or need a replacement part? Just call
1-800-950-4782, we are here to help.

STEP 3

Prepare Panel

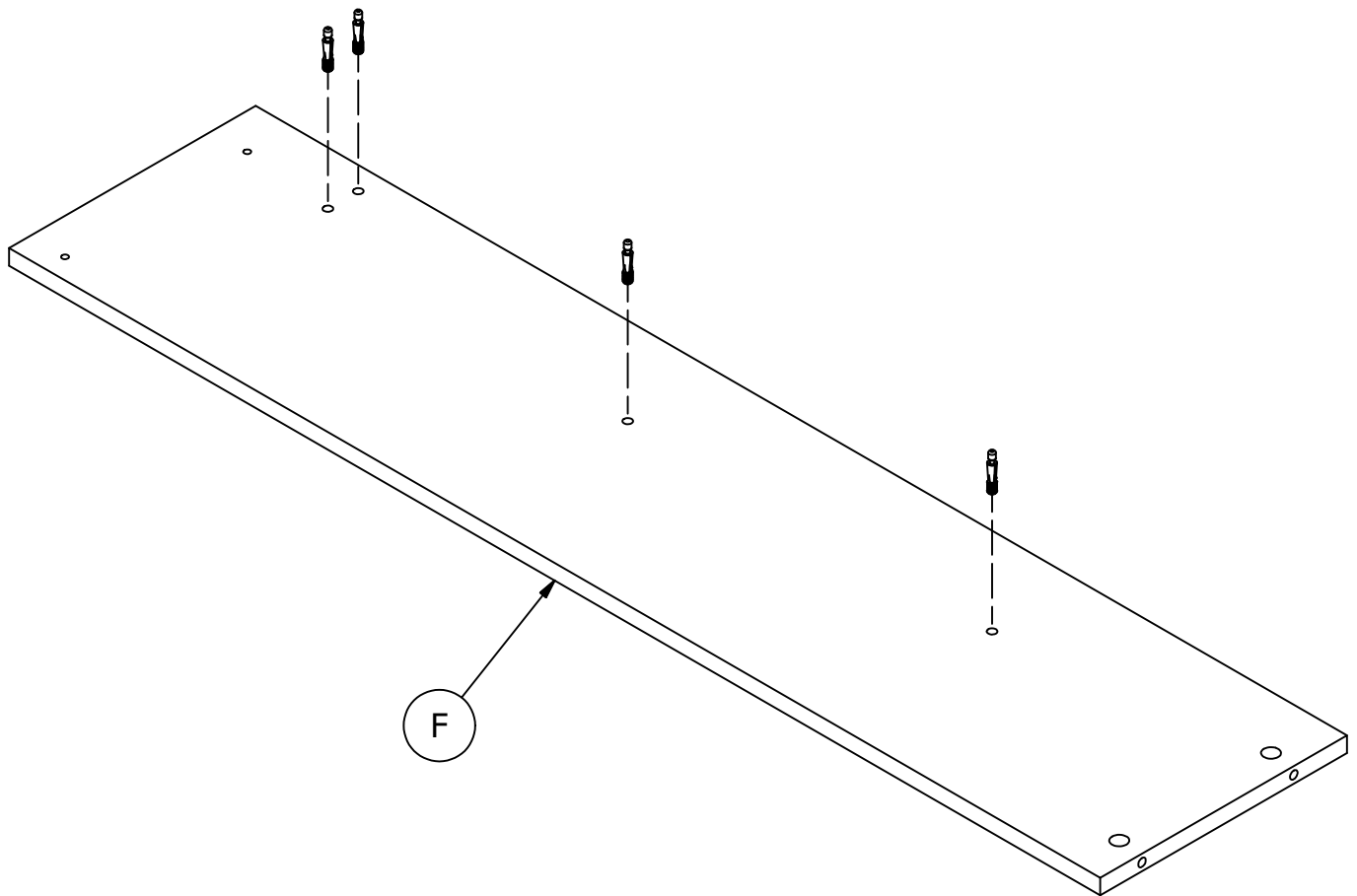
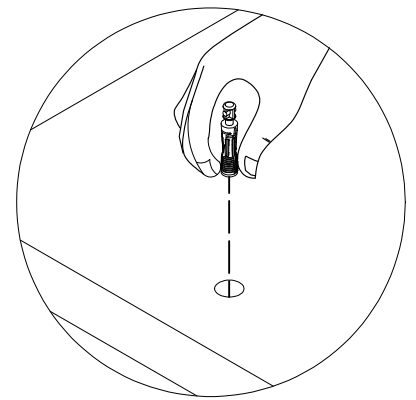
A210470A

H171556



Quickfit TL4

[4]



Have an assembly question or need a replacement part? Just call
1-800-950-4782, we are here to help.

STEP 4

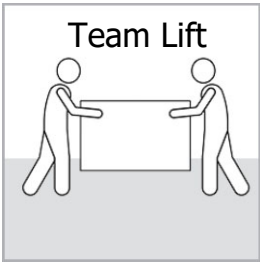
Assemble Panels

A210470A

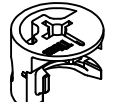
Scan QR Code to Watch Video on:



How to Tighten KD Cams

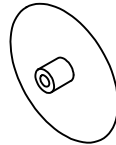


H181468US



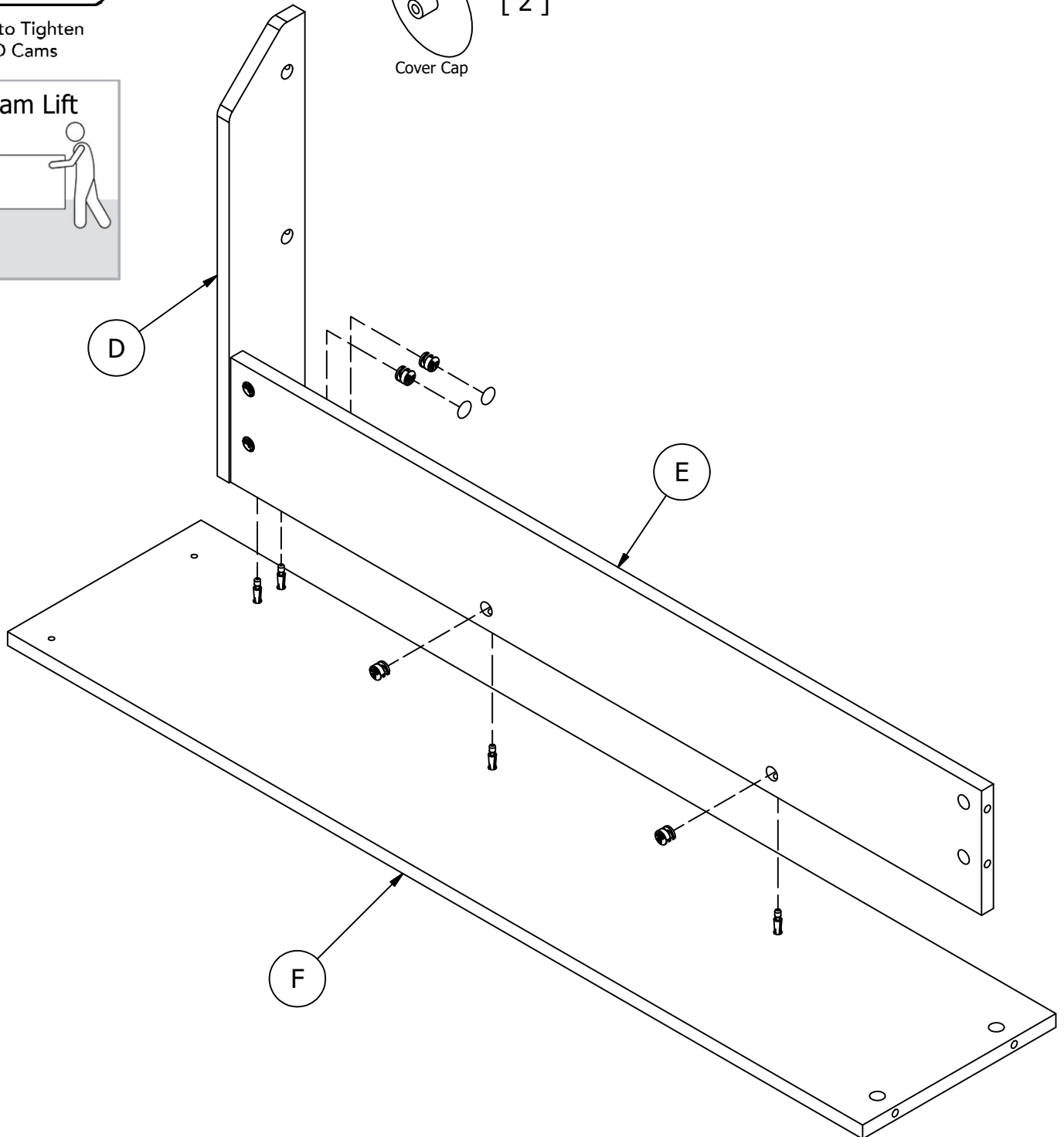
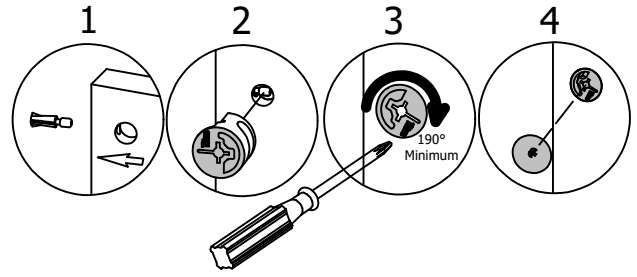
KD Cam3000

[4]



Cover Cap

[2]



Have an assembly question or need a replacement part? Just call **1-800-950-4782**, we are here to help.

STEP 5

Assemble Panels

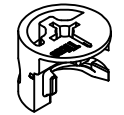
A210470A

Scan QR Code to Watch Video on:



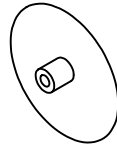
How to Tighten KD Cams

H181468US



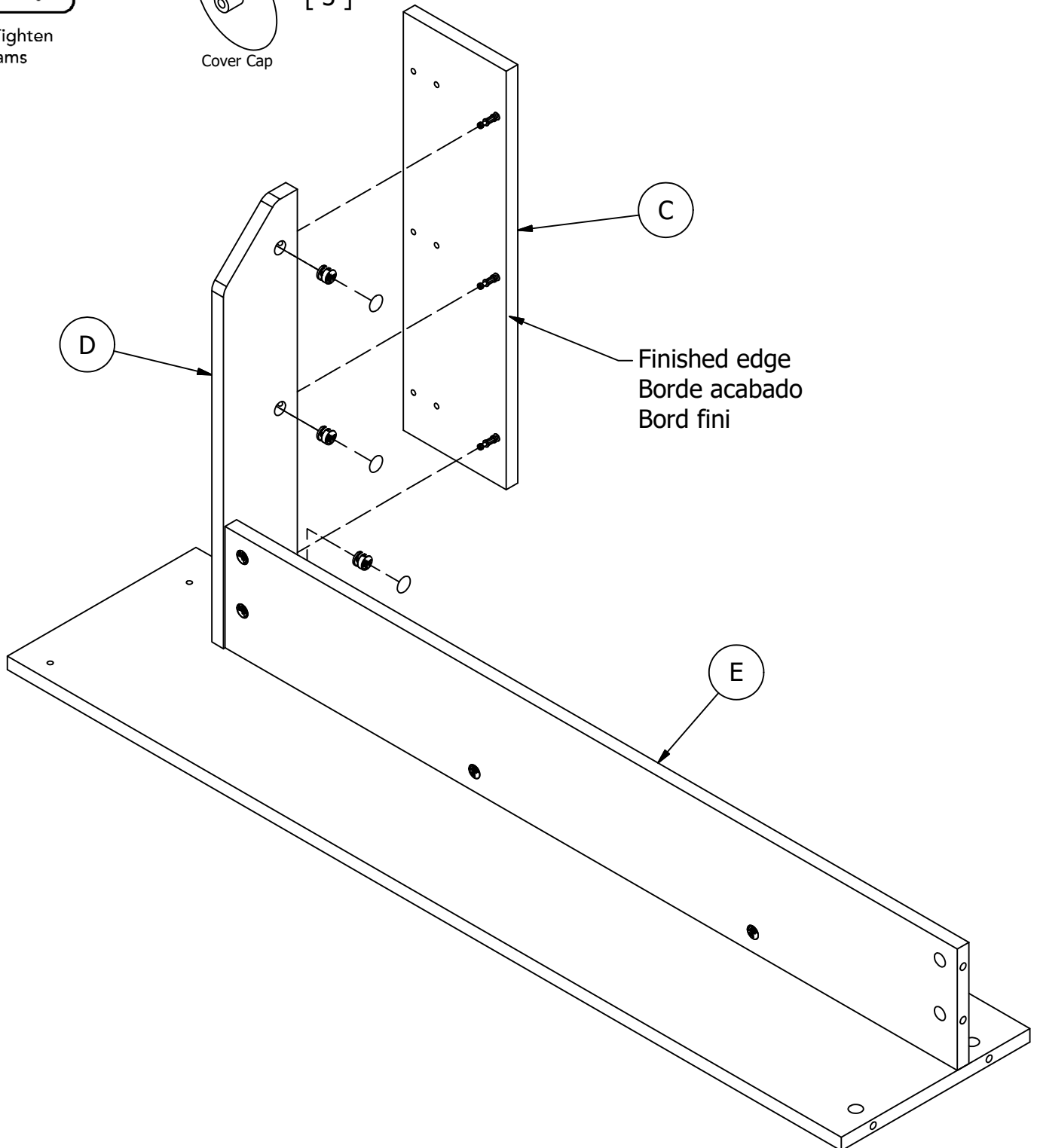
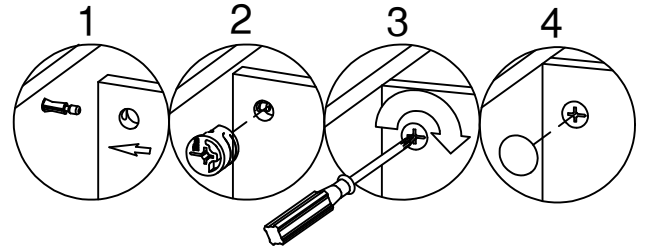
KD Cam3000

[3]



Cover Cap

[3]



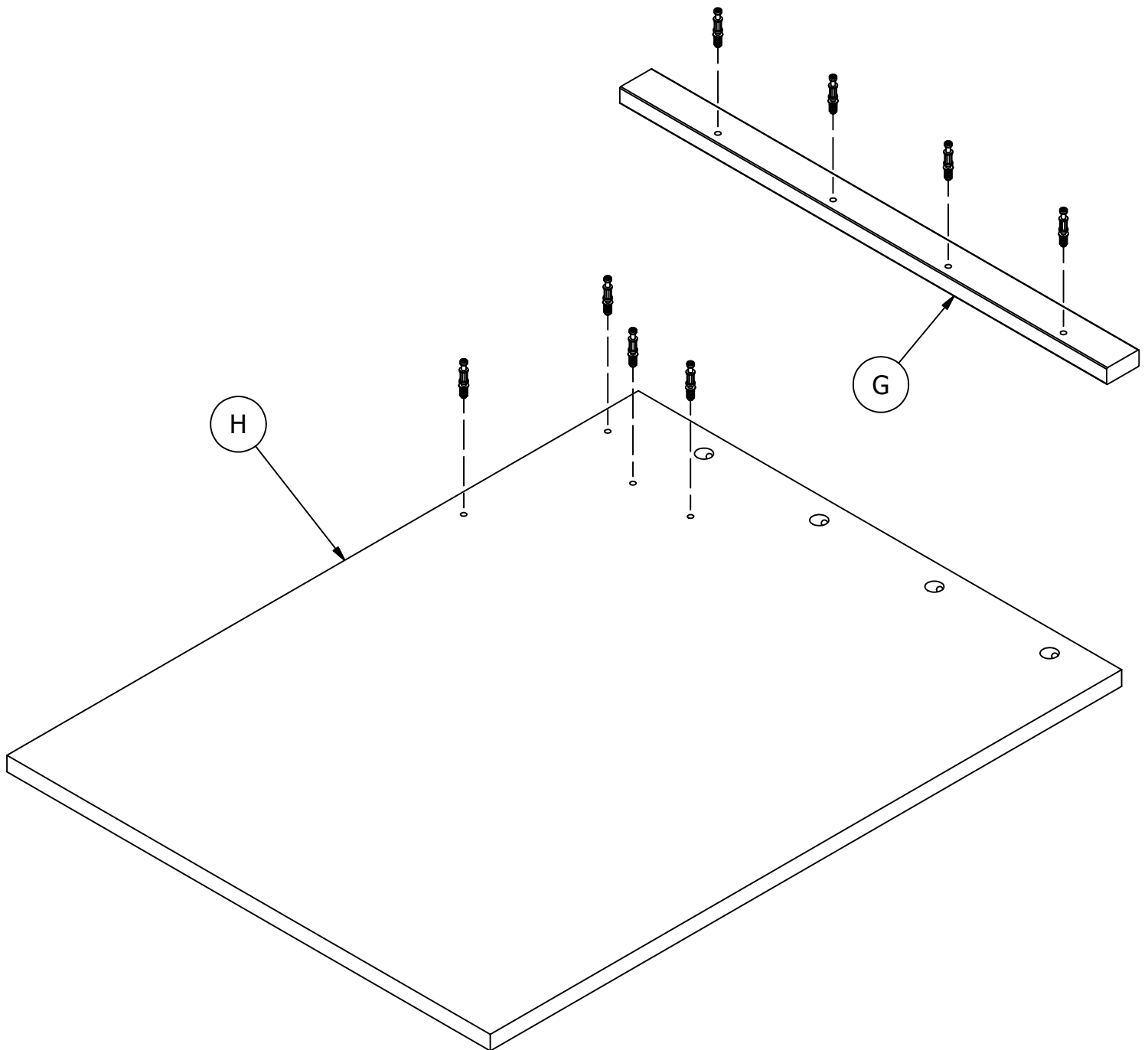
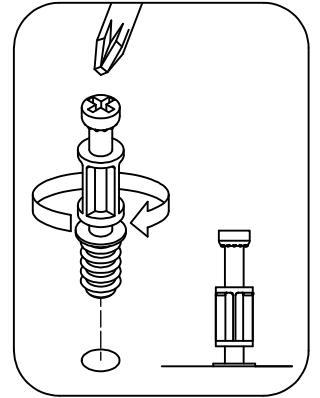
Have an assembly question or need a replacement part? Just call **1-800-950-4782**, we are here to help.

STEP 6

Prepare Panels

A210470A

H72988 [8]
KD Bolt



Have an assembly question or need a replacement part? Just call
1-800-950-4782, we are here to help.

STEP 7

Assemble Panels

A210470A

Scan QR Code to
Watch Video on:

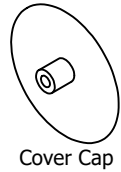


How to Tighten
KD Cams

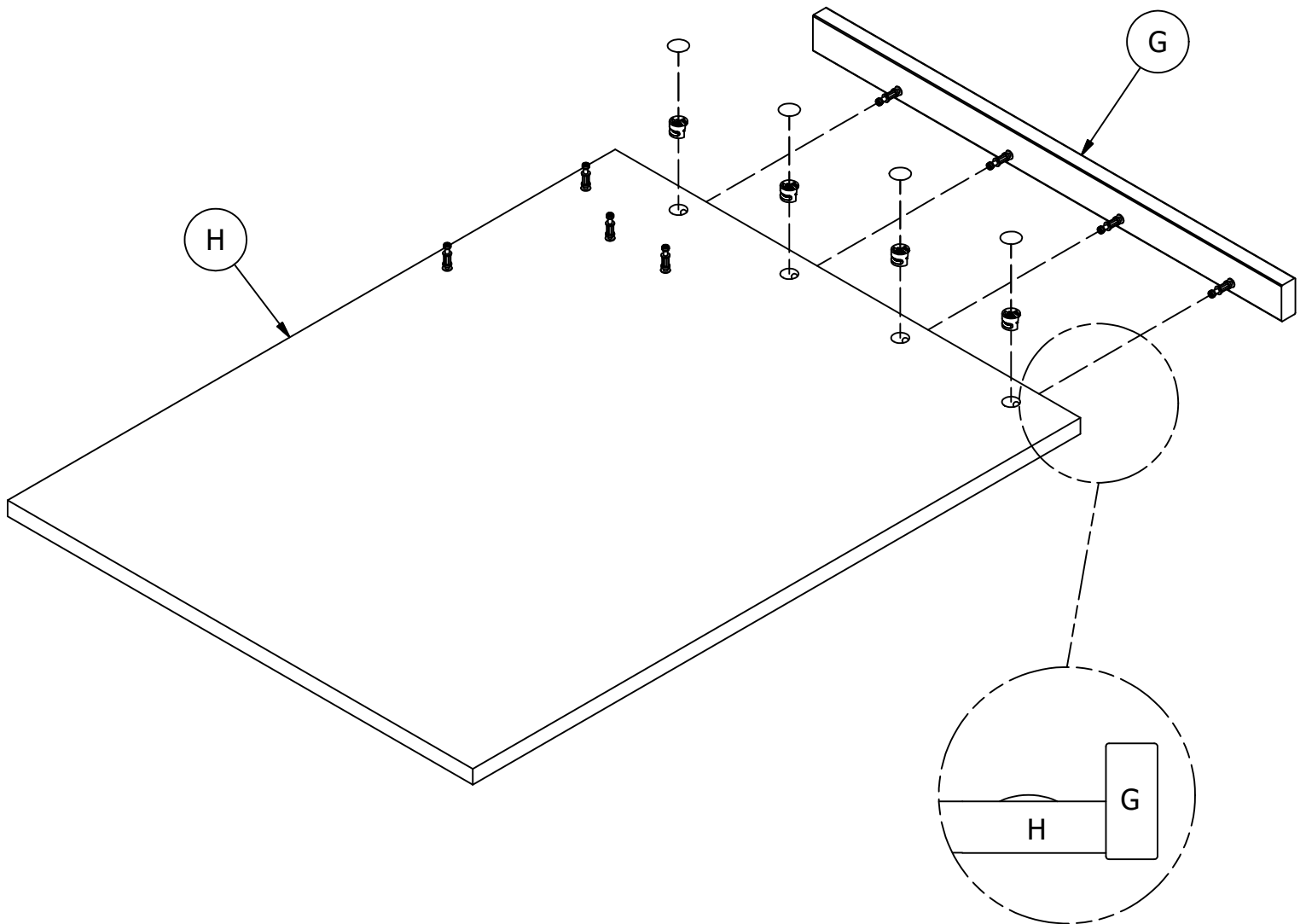
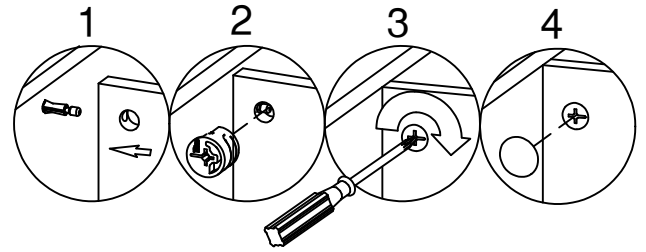
H181468US



[4]



[4]



Have an assembly question or need a replacement part? Just call
1-800-950-4782, we are here to help.

STEP 8

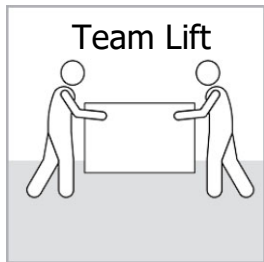
Assemble Panels

A210470A

Scan QR Code to Watch Video on:



How to Tighten KD Cams

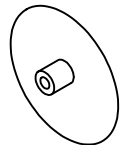


H181468US



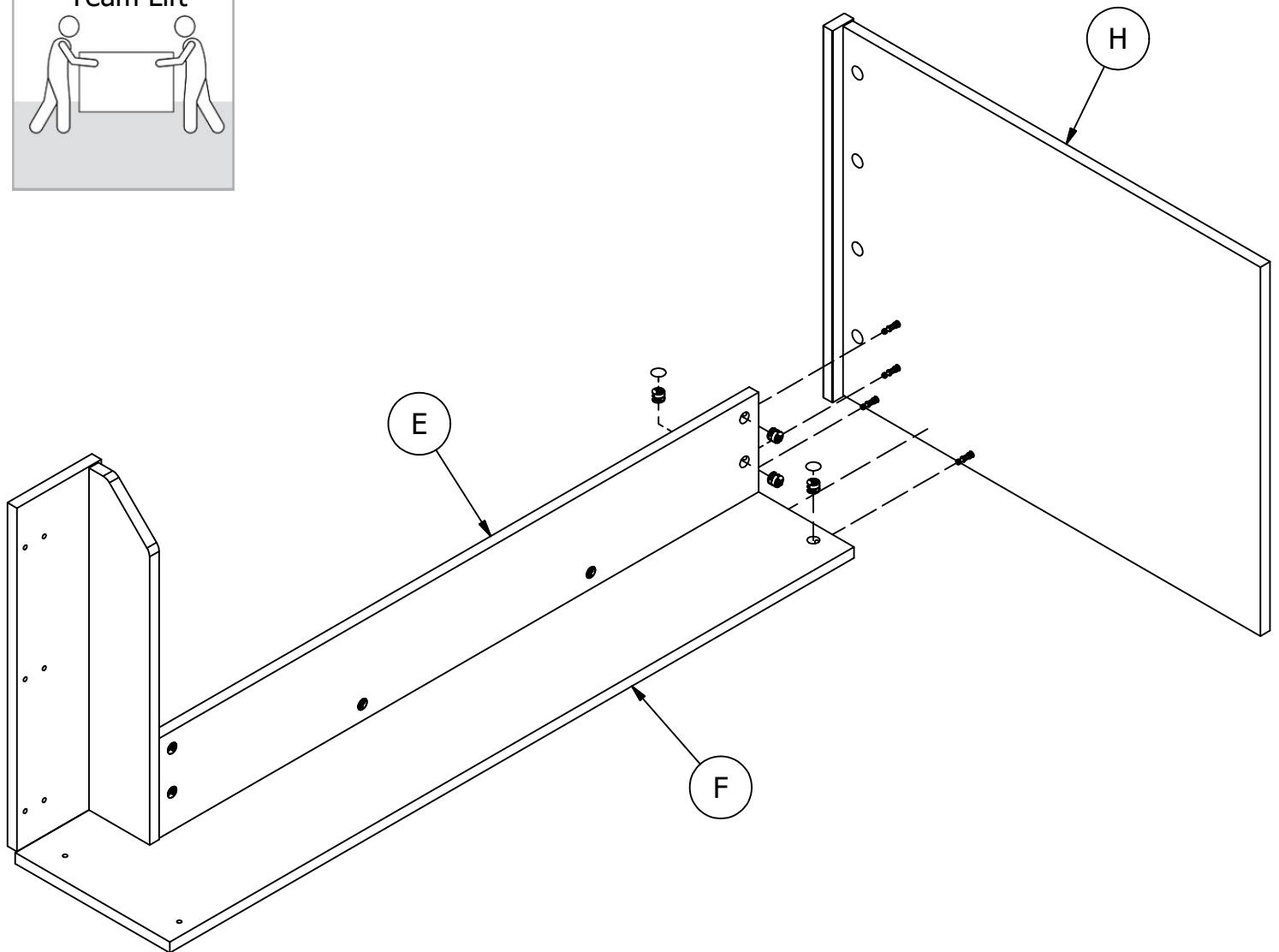
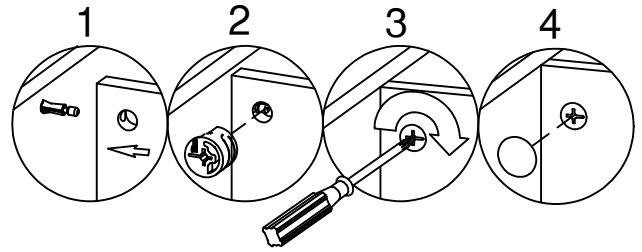
[4]

KD Cam3000



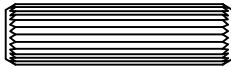
[2]

Cover Cap



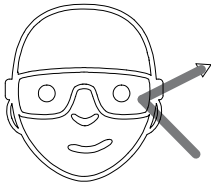
Have an assembly question or need a replacement part? Just call **1-800-950-4782**, we are here to help.

H38169

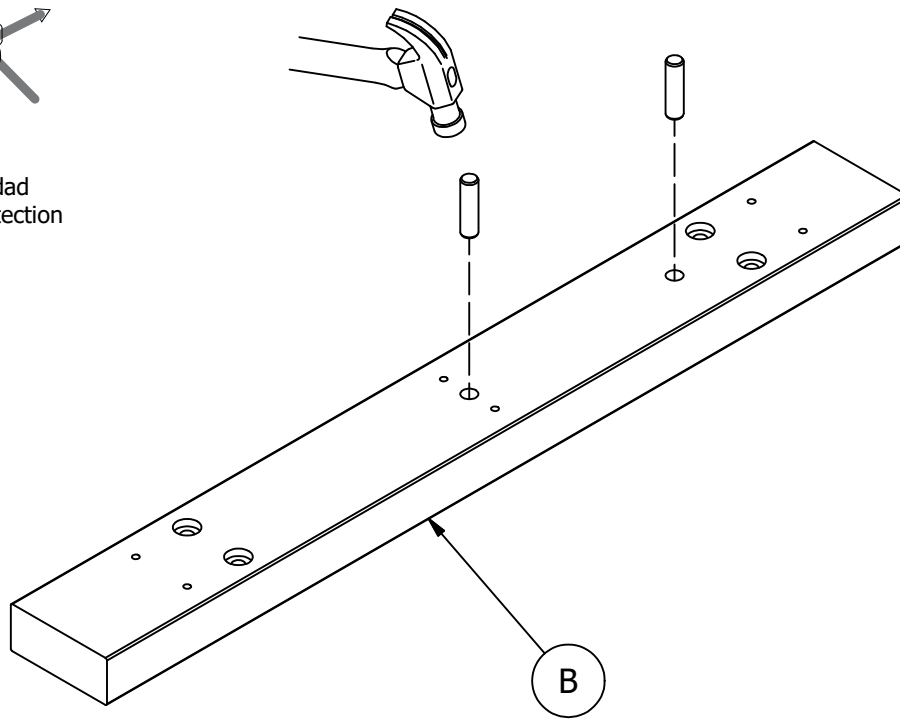


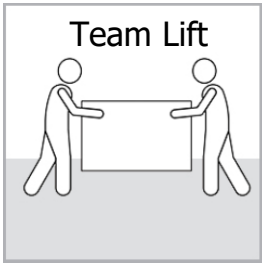
[2]

Wood Dowel 8 x 30

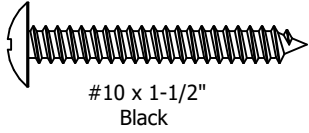


Safety glasses
Gafas de seguridad
Lunettes de protection



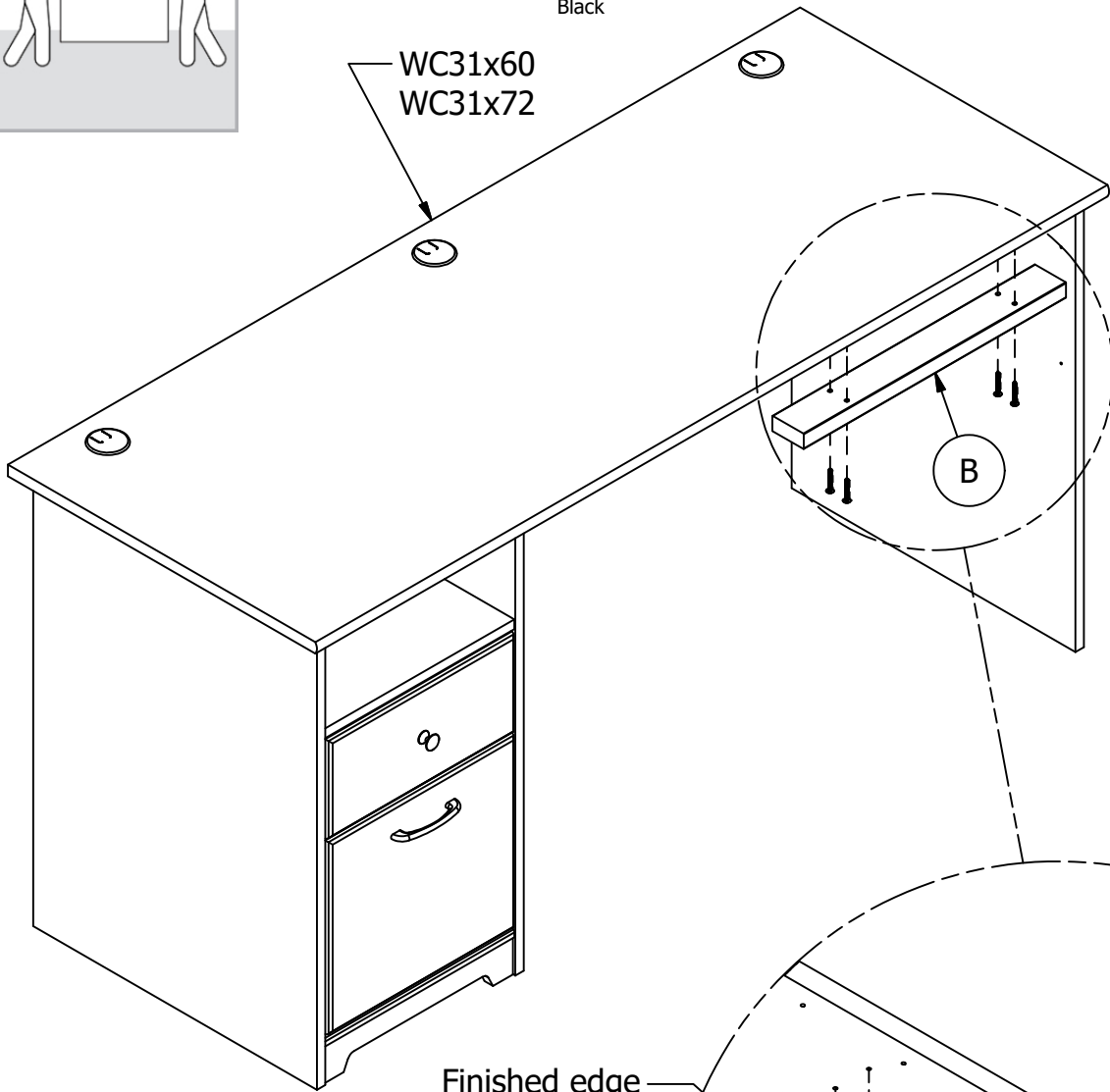


H23468

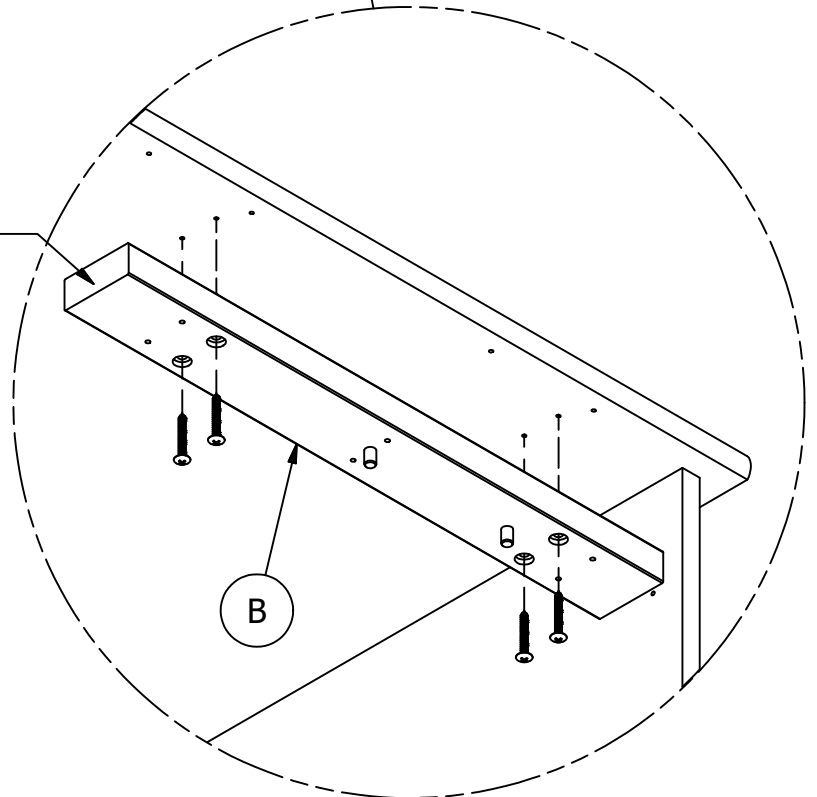


[4]

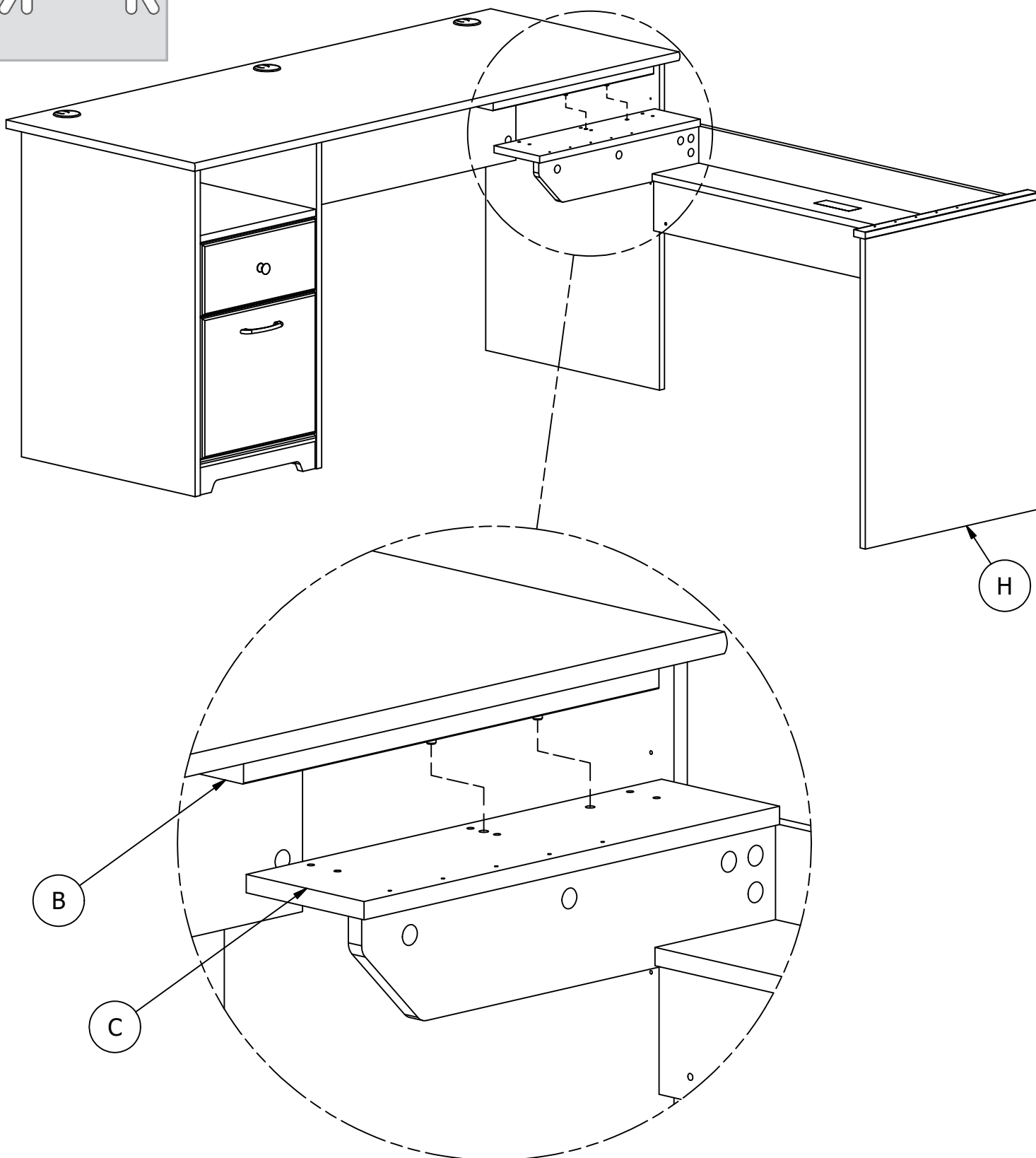
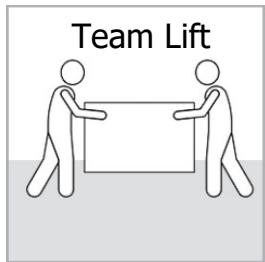
Assemble in final location.
Arme la unidad en el lugar destinado.
Assemblez en position finale



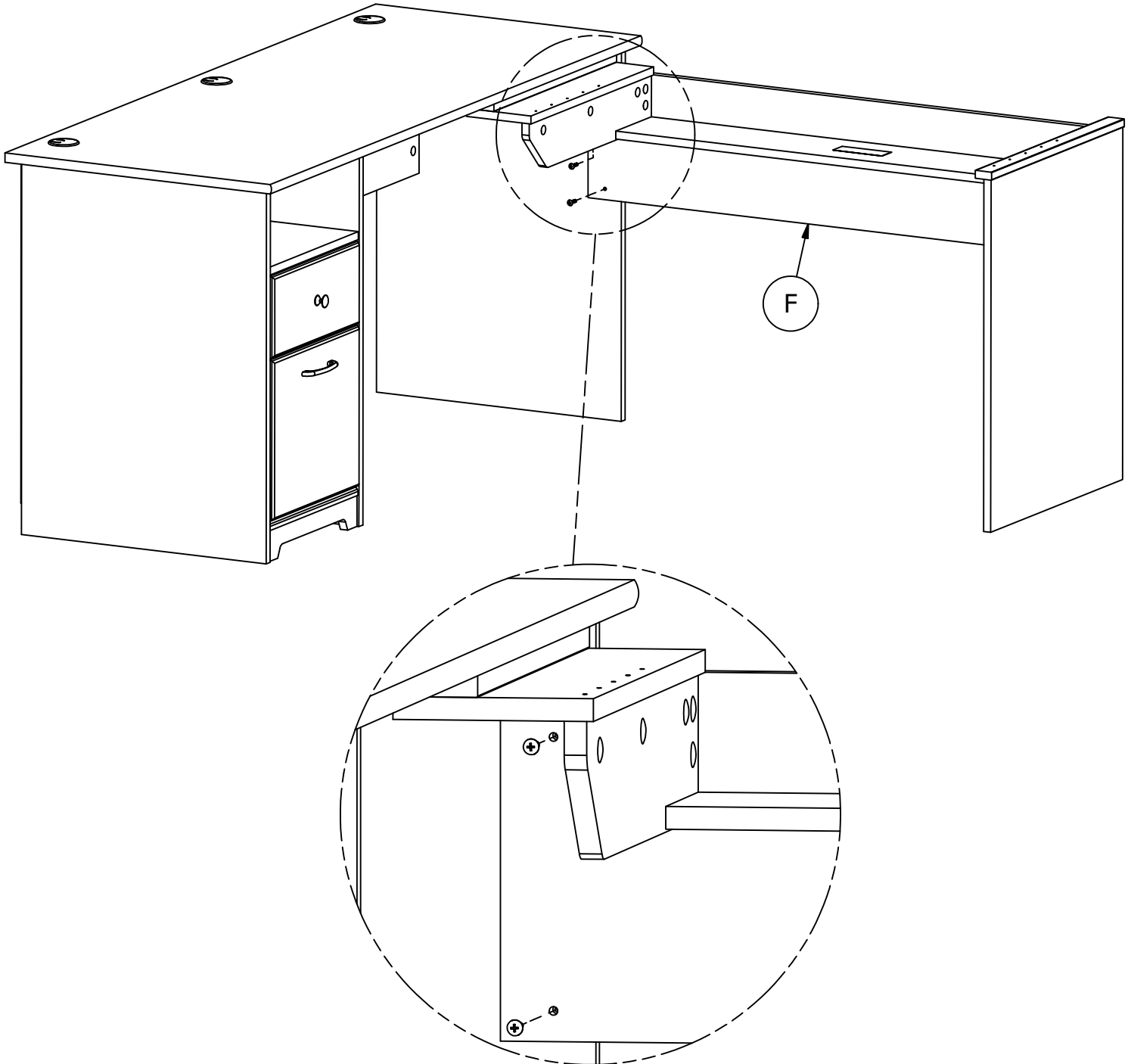
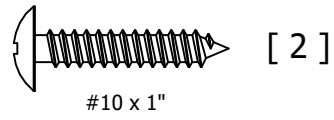
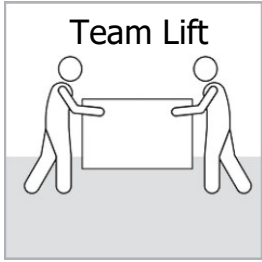
Finished edge
Borde acabado
Bord fini



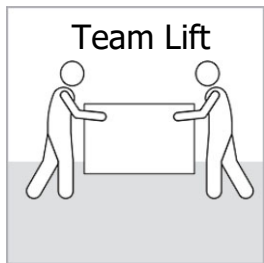
Have an assembly question or need a replacement part? Just call **1-800-950-4782**, we are here to help.



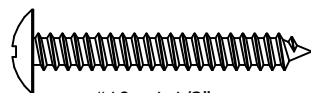
Have an assembly question or need a replacement part? Just call **1-800-950-4782**, we are here to help.



Have an assembly question or need a replacement part? Just call
1-800-950-4782, we are here to help.

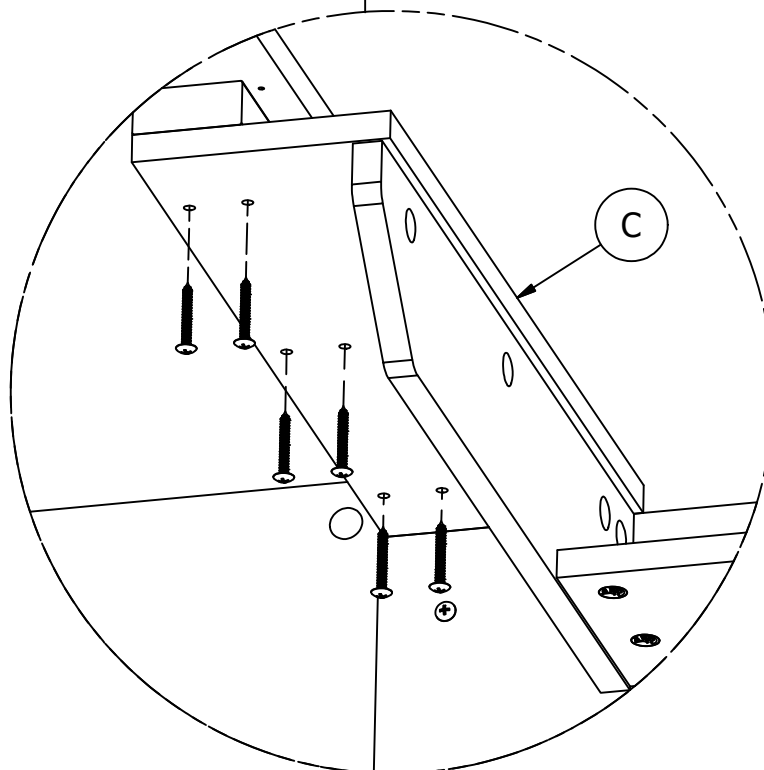
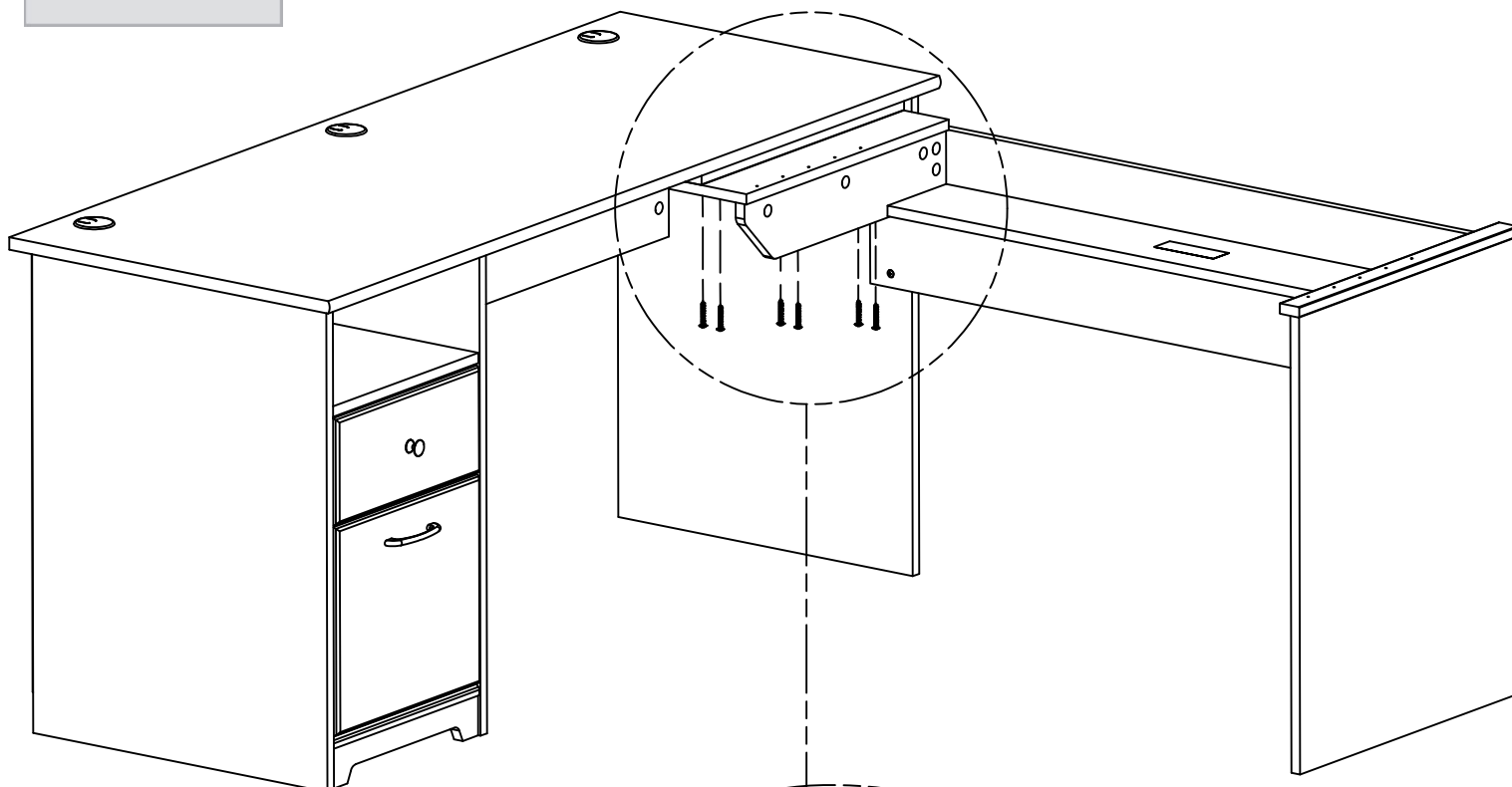


H23468



[6]

#10 x 1-1/2"
Black



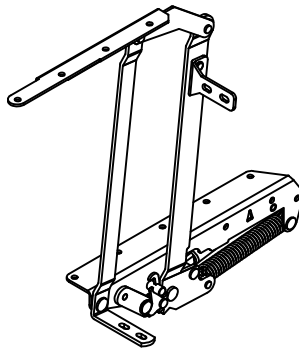
Have an assembly question or need a replacement part? Just call
1-800-950-4782, we are here to help.

STEP 14

Attach Hardware

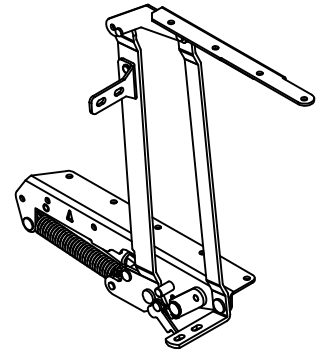
A210470A

H23119 [10] Z184667
#10 x 5/8"
Black



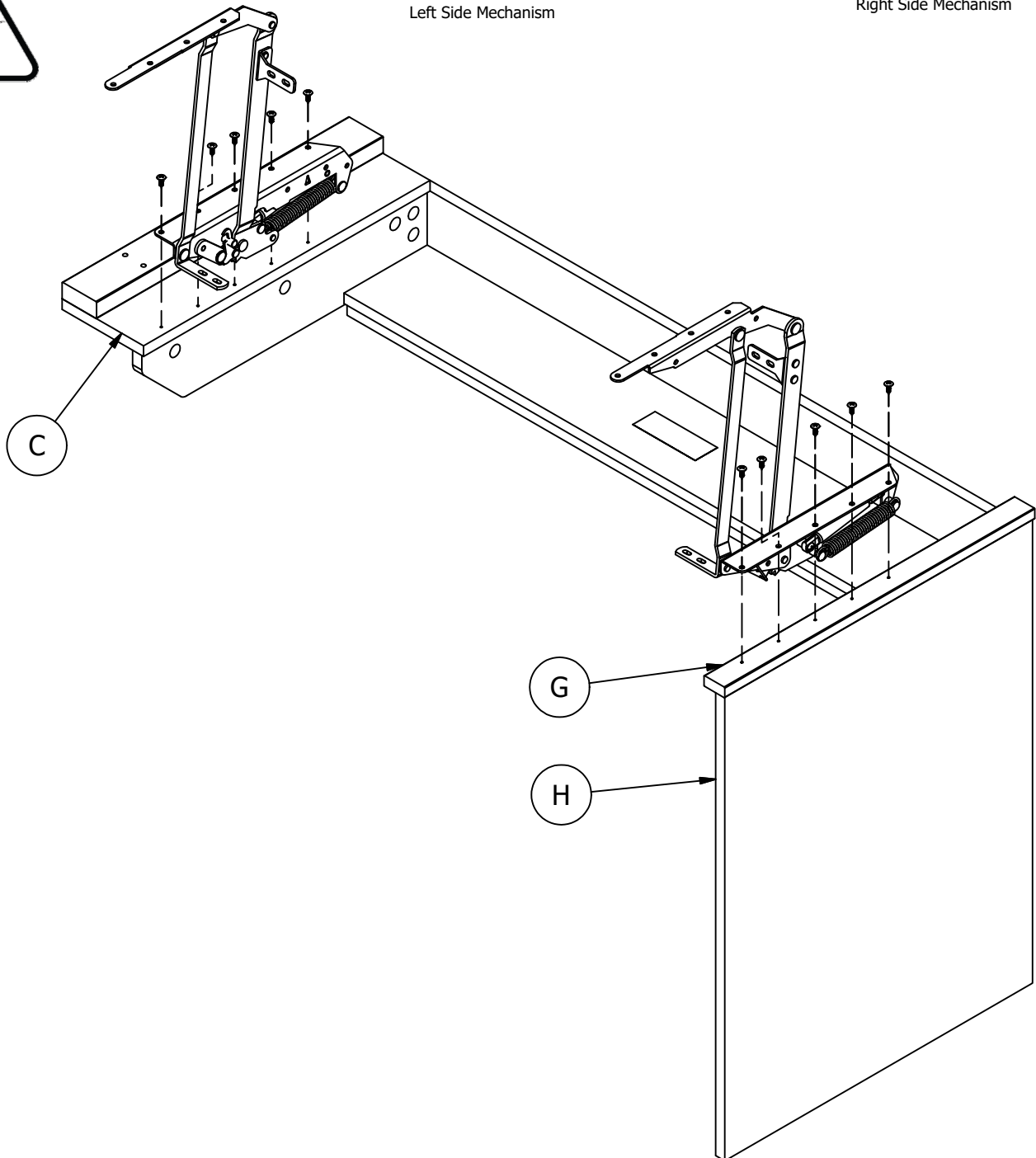
Left Side Mechanism

[1] Z184666



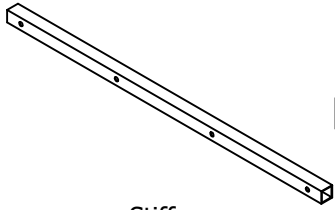
Right Side Mechanism

[1]



Have an assembly question or need a replacement part? Just call
1-800-950-4782, we are here to help.

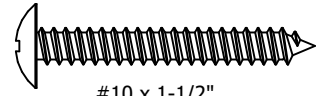
H181315



[1]

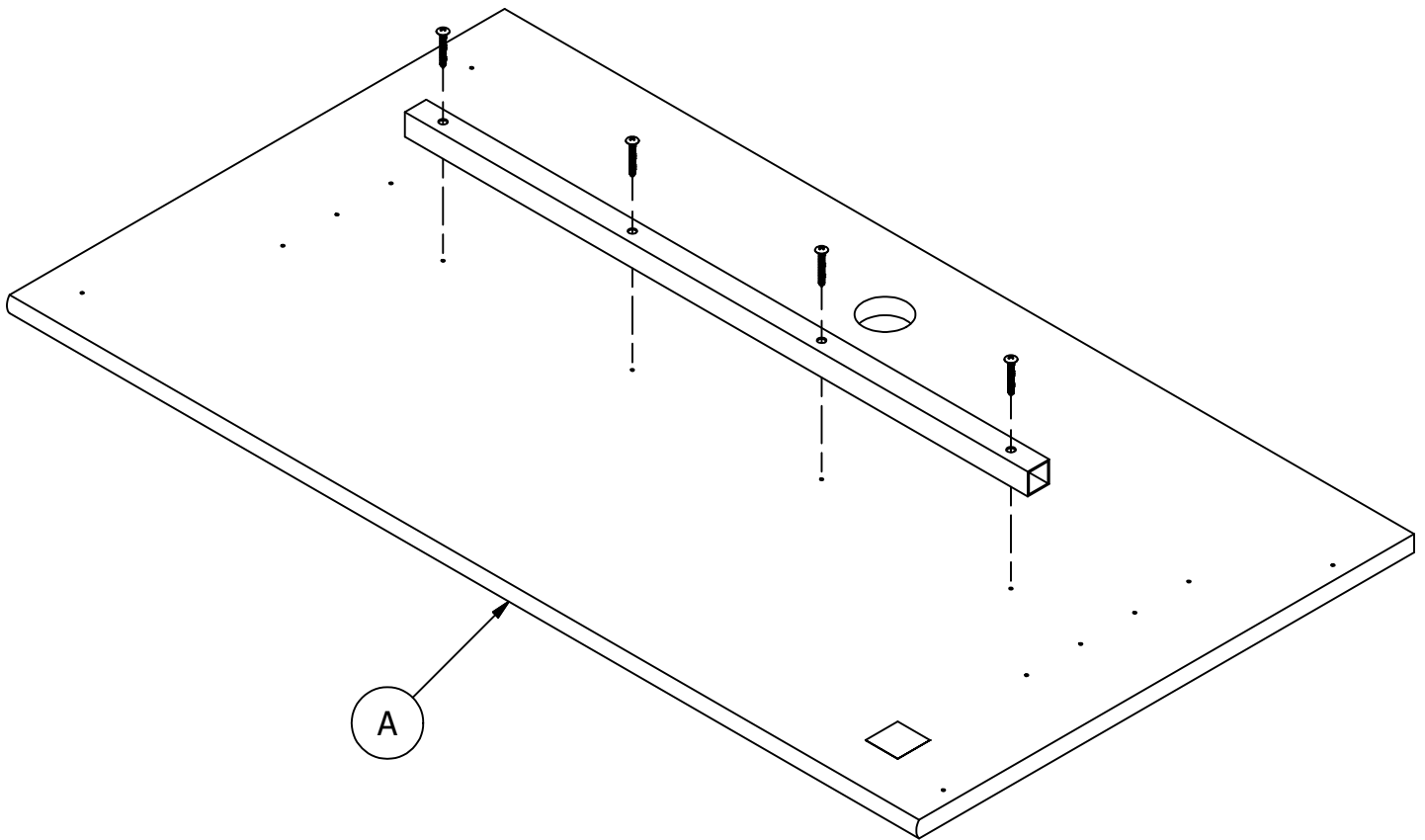
Stiffener

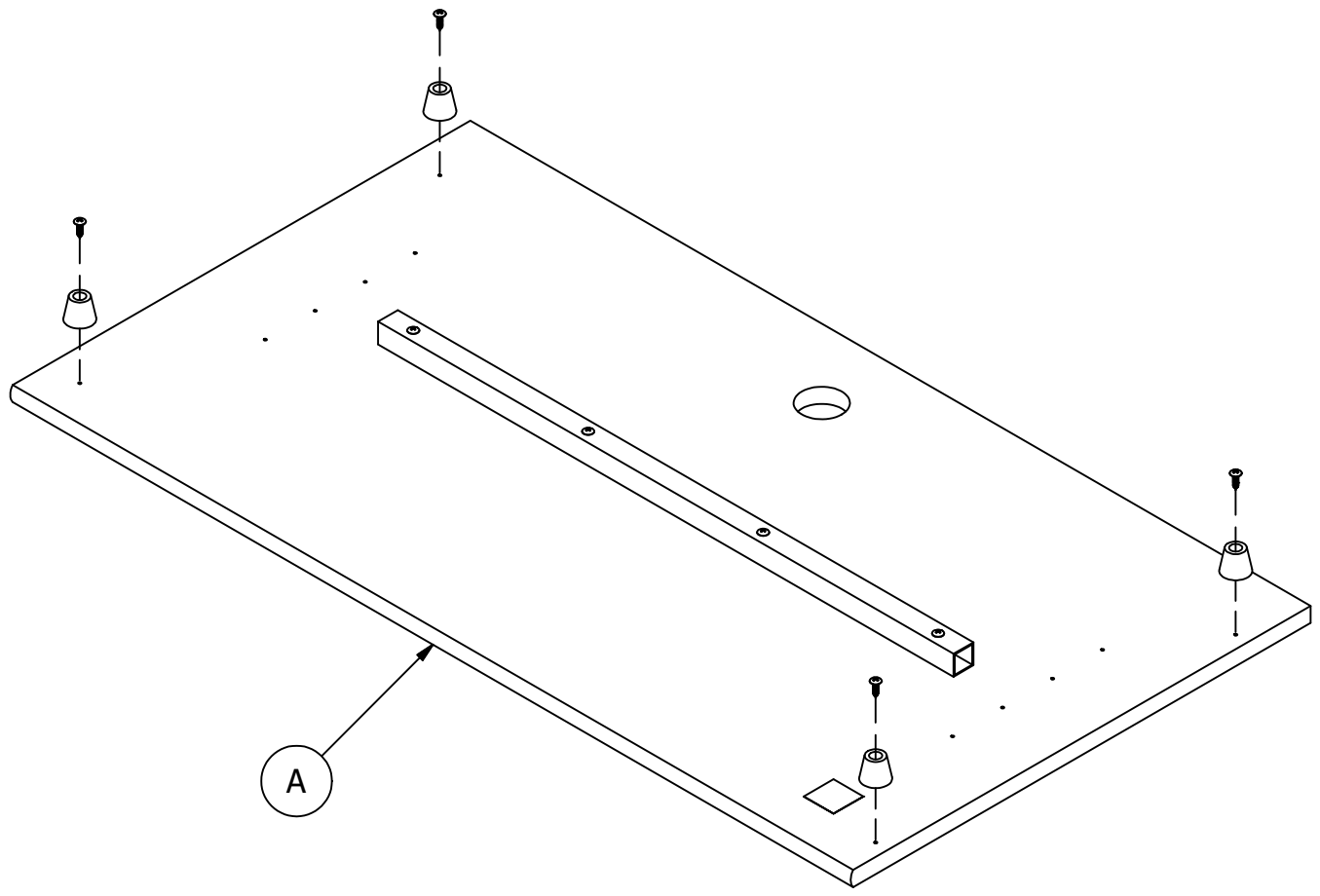
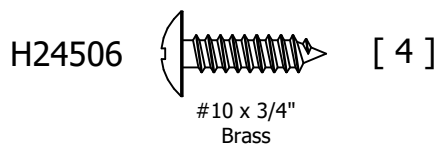
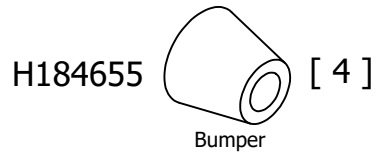
H23468



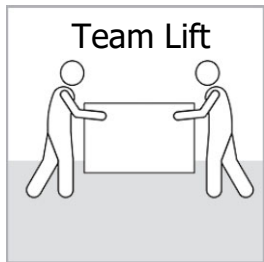
[4]

#10 x 1-1/2"
Black

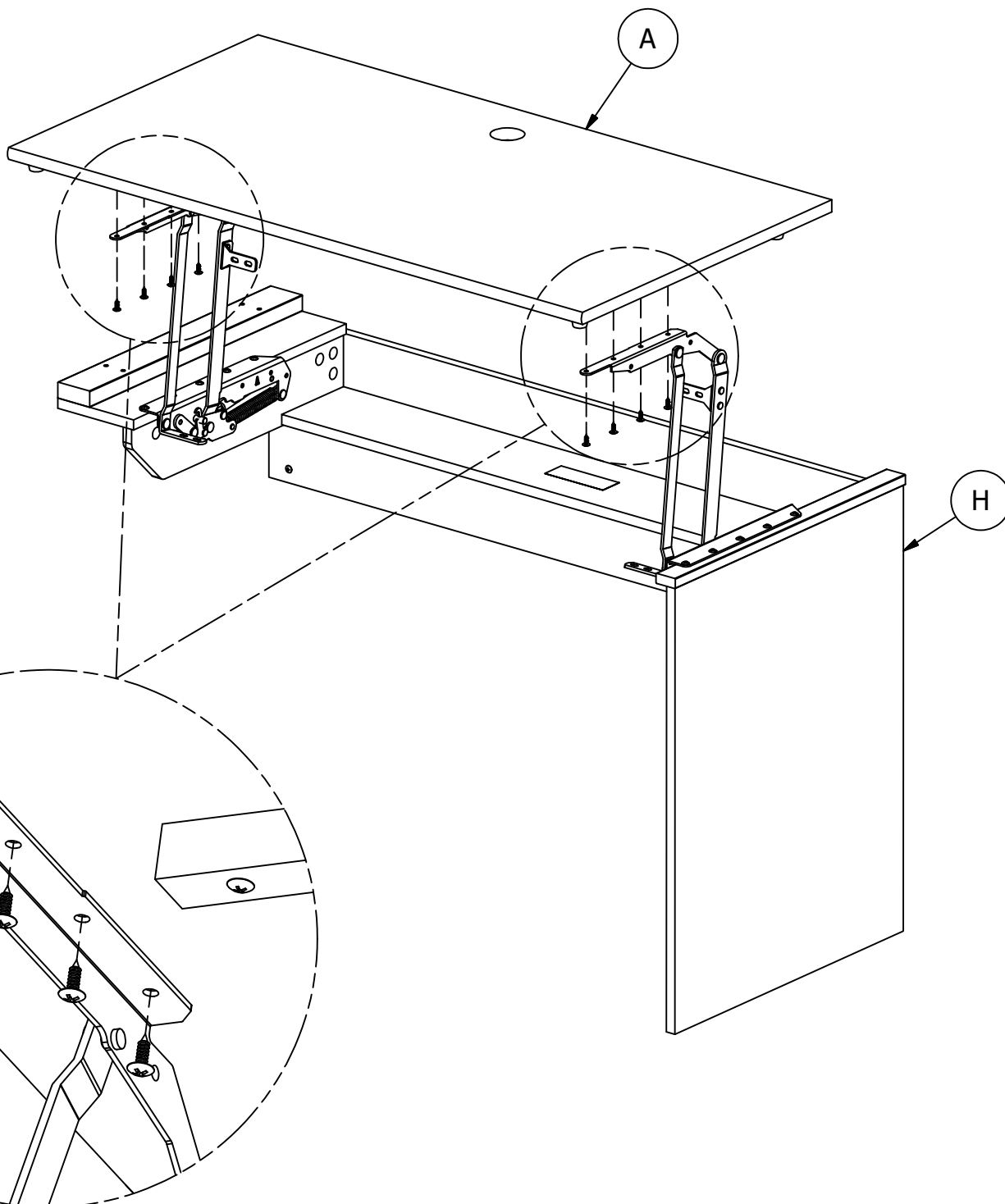
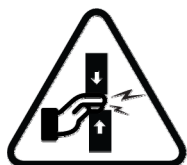
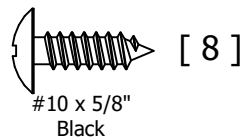




Have an assembly question or need a replacement part? Just call
1-800-950-4782, we are here to help.



H23119

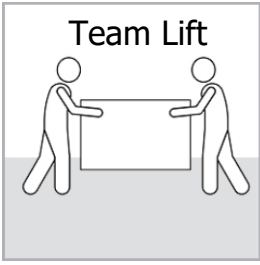


Have an assembly question or need a replacement part? Just call
1-800-950-4782, we are here to help.

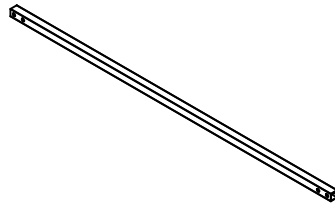
STEP 18

Attach Hardware

A210470A



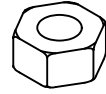
H189068



[2]

Connecting Bar

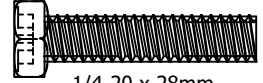
Z184671



[8]

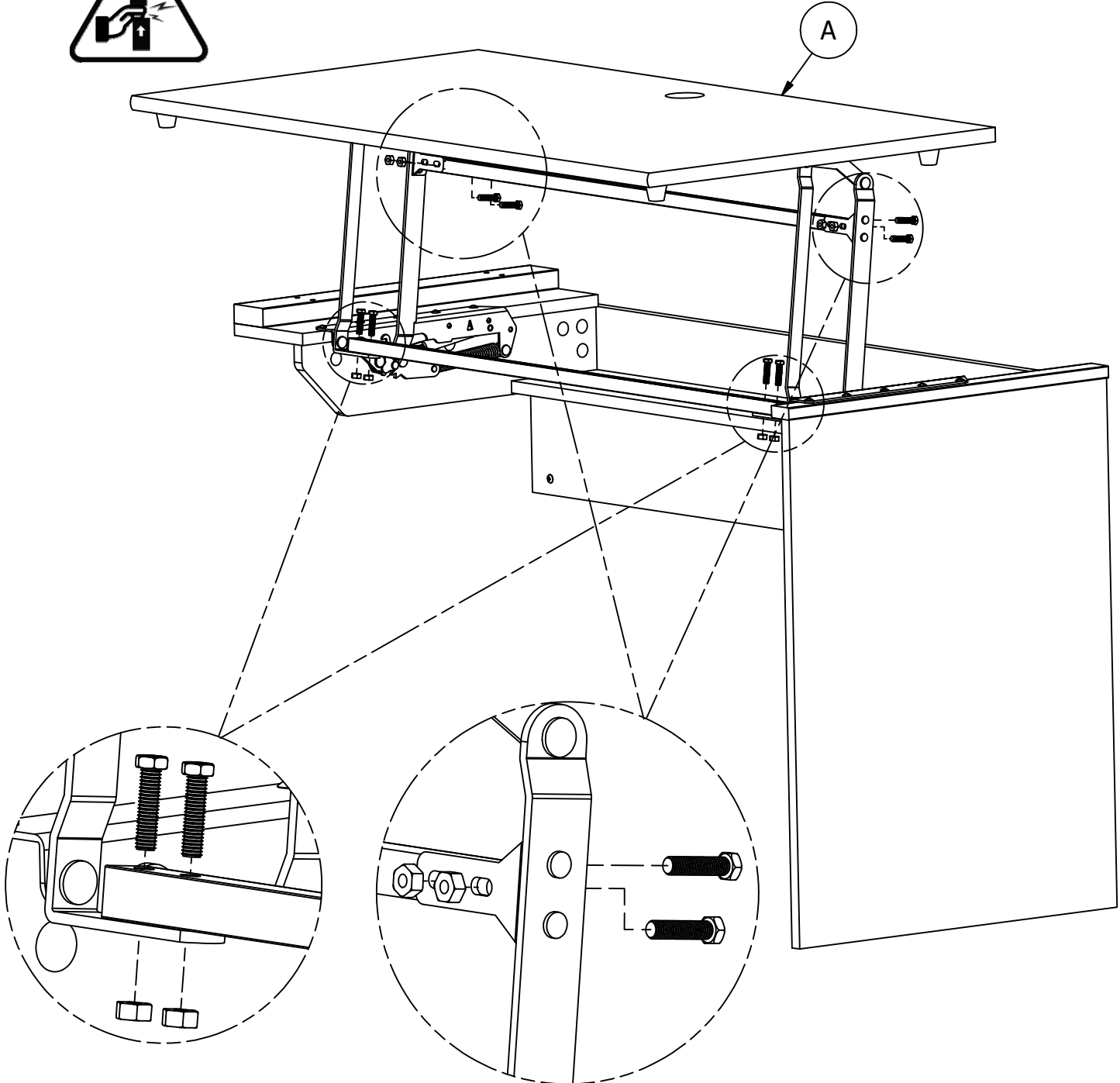
Nut 1/4-20

Z184669



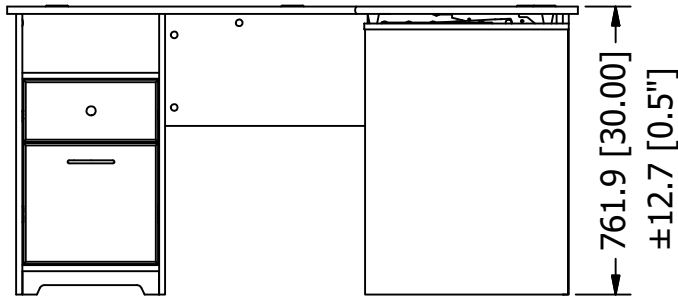
[8]

1/4-20 x 28mm

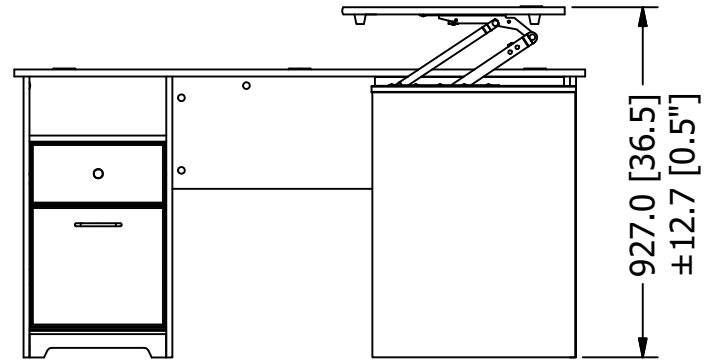


Have an assembly question or need a replacement part? Just call **1-800-950-4782**, we are here to help.

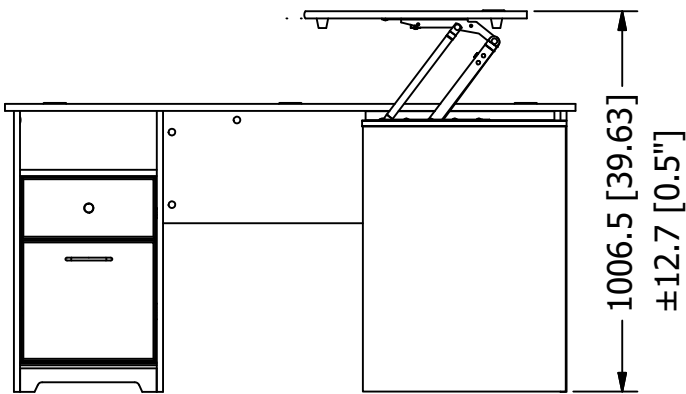
SEATED POSITION



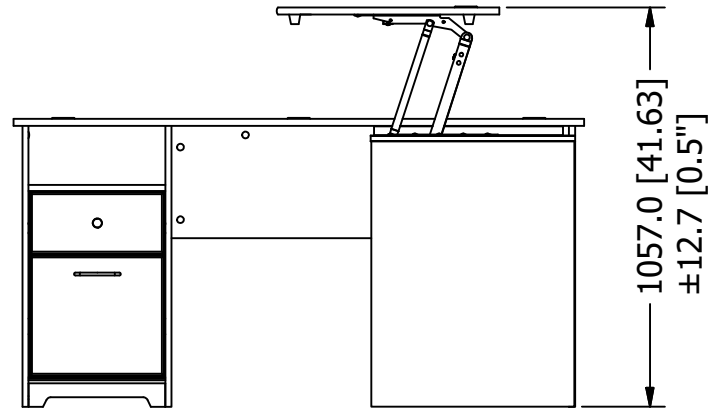
POSITION #1



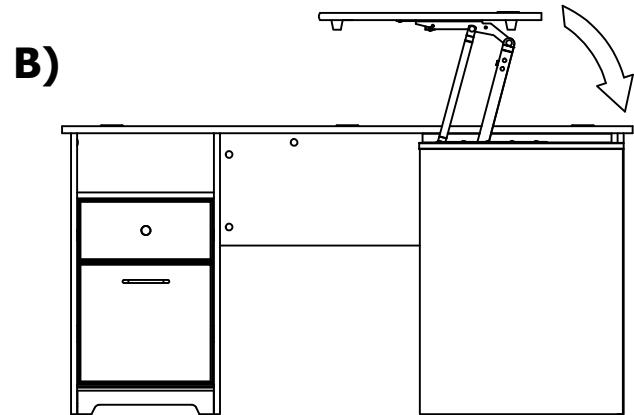
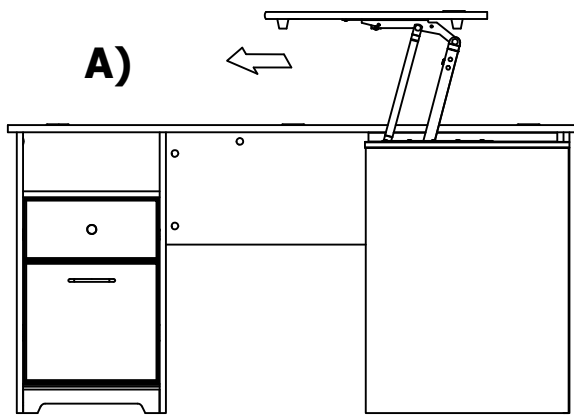
POSITION #2



POSITION #3



UNLOCK POSITION



DO NOT use desk top in UNLOCK position
 NO use el escritorio en la posición de DESBLOQUEO
 NE PAS utiliser le bureau en position UNLOCK

To return desk to seated position:

- (A) Pull desk top slowly forward until stop
- (A) Tire del escritorio lentamente hacia adelante hasta que se detenga
- (A) Tirez le bureau lentement vers l'avant jusqu'à la butée

- (B) Slowly push desk top down to seated position
- (B) Empuje lentamente la parte superior del escritorio hacia abajo hasta la posición sentada
- (B) Poussez lentement le bureau en position assise

Have an assembly question or need a replacement part? Just call
1-800-950-4782, we are here to help.

Scan QR Code to Watch Video on:



How to Clean the Surface



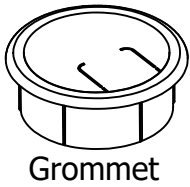
CAUTION

Do not sit on adjustable height work surface. Maximum load 20 lbs (9 kg). For use with computer monitor, keyboard, and light work.

No se siente en una superficie de trabajo de altura ajustable. Carga máxima 20 lbs (9 kg). Para usar con monitor de computadora, teclado y trabajo ligero.

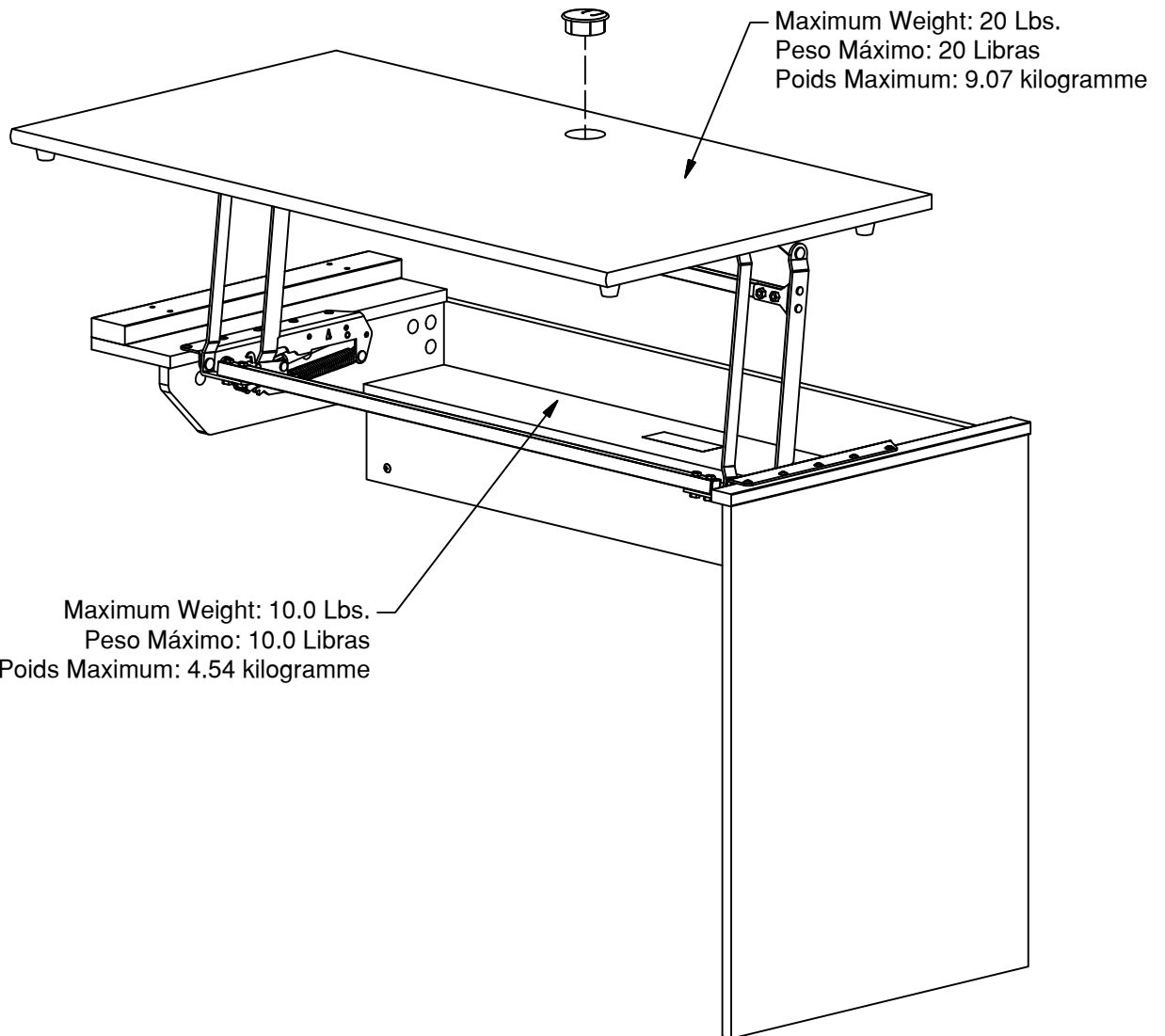
Ne vous asseyez pas sur une surface de travail à hauteur réglable. Charge maximale de 9 kg (20 lb). À utiliser avec un écran d'ordinateur, un clavier et des travaux légers.

Gently clean surfaces with a damp sponge eraser.



Grommet

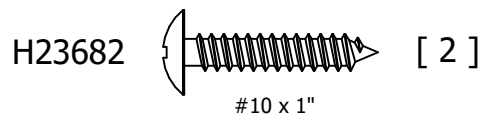
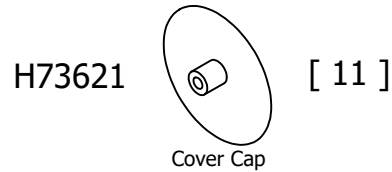
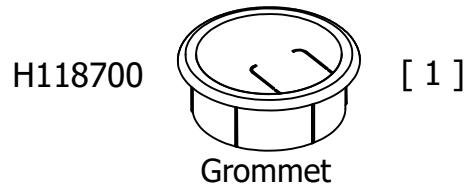
[1]



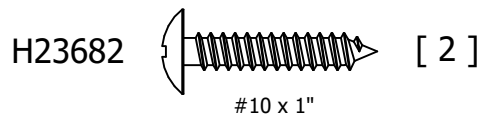
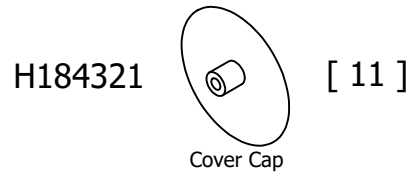
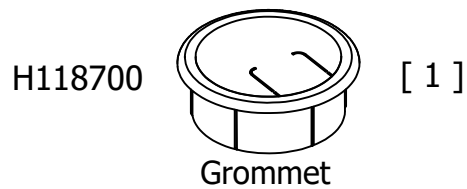
Congratulations! You are all done. If you have any questions or concerns, please call.

Have an assembly question or need a replacement part? Just call **1-800-950-4782**, we are here to help.

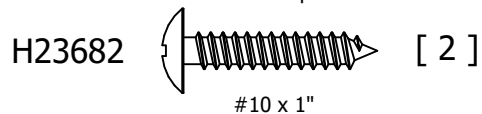
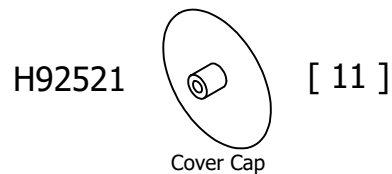
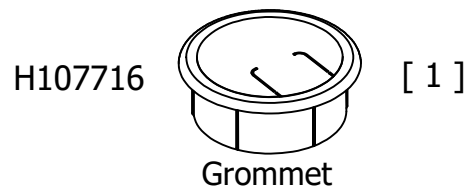
WC31845		
LABEL CODE	QTY	Part Number
A	1	W210471
B	1	W210472
C	1	W210473
D	1	W210474
E	1	S210475
F	1	W210477
G	1	W210478
H	1	W210479



WC31445		
LABEL CODE	QTY	PART NUMBER
A	1	W210480
B	1	W210481
C	1	W210482
D	1	W210483
E	1	S210484
F	1	W210486
G	1	W210487
H	1	W210488

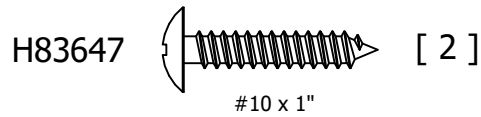
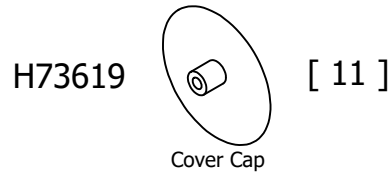
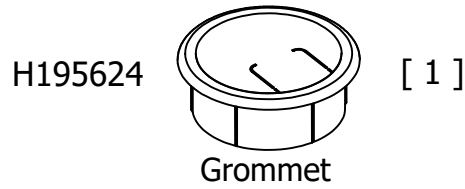


WC31745		
LABEL CODE	QTY	PART NUMBER
A	1	W210489
B	1	W210490
C	1	W210491
D	1	W210492
E	1	S210493
F	1	W210495
G	1	W210496
H	1	W210497

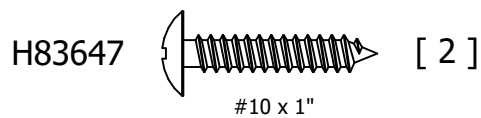
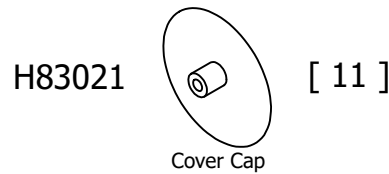
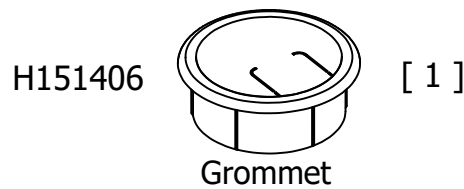


Have an assembly question or need a replacement part? Just call
1-800-950-4782, we are here to help.

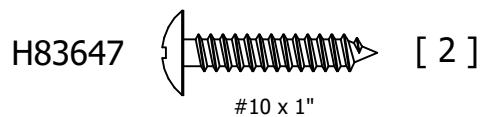
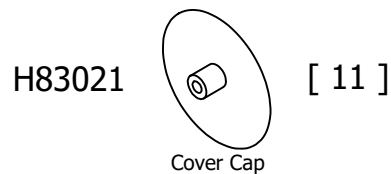
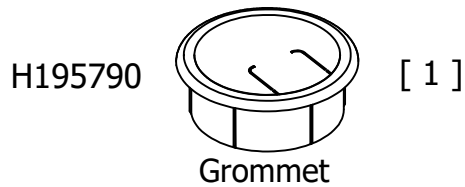
WC31945		
LABEL CODE	QTY	PART NUMBER
A	1	W210498
B	1	W210499
C	1	W210500
D	1	W210501
E	1	S210502
F	1	W210504
G	1	W210505
H	1	W210506



WC31245		
LABEL CODE	QTY	PART NUMBER
A	1	W210507
B	1	W210508
C	1	W210509
D	1	W210510
E	1	S210511
F	1	W210513
G	1	W210514
H	1	W210515



WC31345		
LABEL CODE	QTY	PART NUMBER
A	1	W214054
B	1	W214055
C	1	W214056
D	1	W214057
E	1	S214058
F	1	W214060
G	1	W214061
H	1	W214062



Have an assembly question or need a replacement part? Just call
1-800-950-4782, we are here to help.