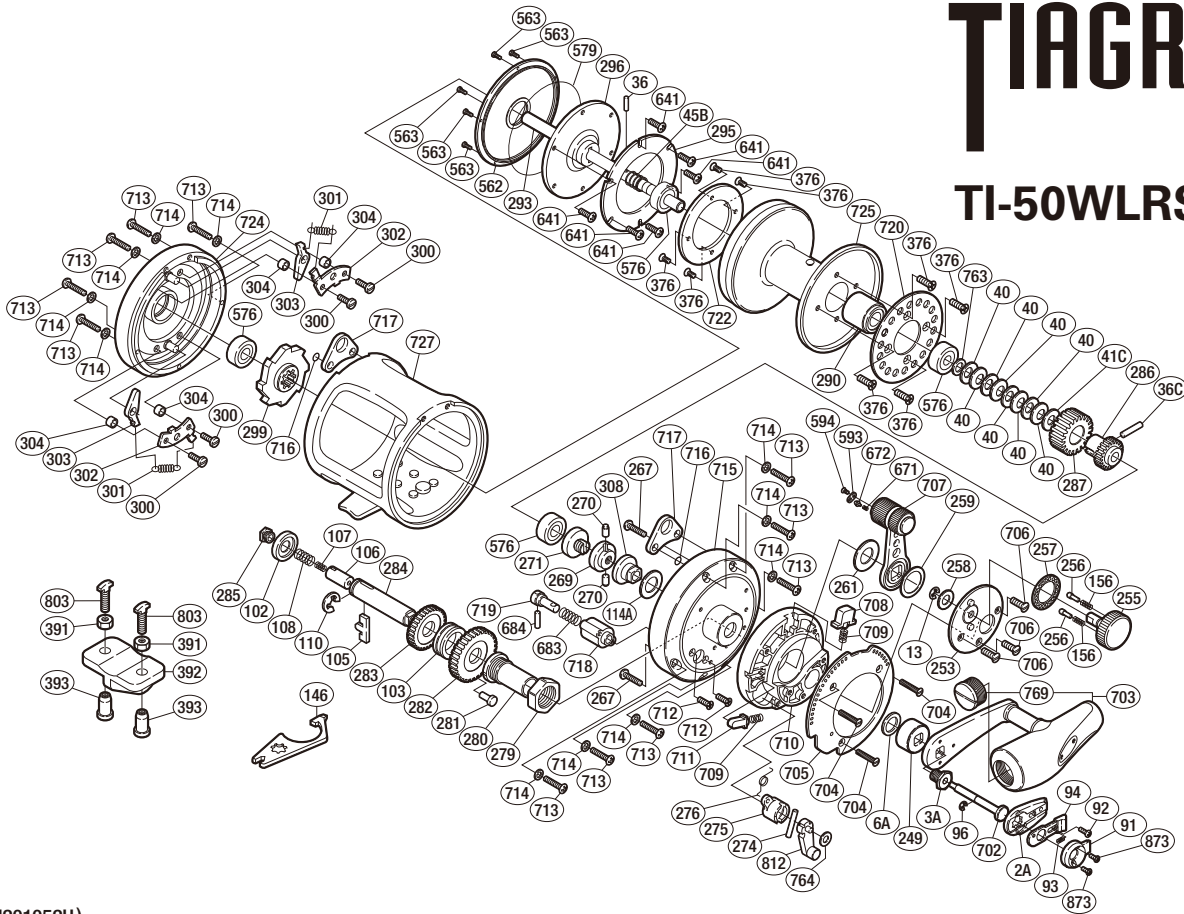


# SHIMANO

# TIAGRA

## TI-50WLRSA



(51RJ201052U)

#	Part No.	Description	#	Part No.	Description	#	Part No.	Description
0002A	10QUC	Handle Bolt Plate	0274	10EZQ	Plunger Cross Pin B	0702	109WZ	Push Low Button Shaft
0003A	106XK	Handle Bolt	0275	10EZK	Plunger Cross Pin Support	0703	102UN	Handle Assembly
0006A	1058B	Drive Shaft Washer	0276	10F1S	Cross Pin Support Spring	0704	10PHU	Screw
0013	105RY	C Lock	0279	10F3V	Holder Nut	0705	10C9W	Lever Quadrant
0036	104L8	Cross Pin A	0280	1098D	Drive Shaft Holder	0706	10PHW	Screw
0036C	10MCR	Cross Pin B	0281	10F3W	Lock Pin	0707	108B6	Drag Control Lever
0040	1052E	Pre-Load Spring	0282	10Q9Y	Drive Gear A	0708	10CCF	Strike Stop
0041C	10HYB	Pre-Load Washer	0283	109VN	Drive Gear B	0709	10BNJ	Pressure Spring
0045B	10CCS	Pressure Plate Spring	0284	105D6	Drive Shaft	0710	10F3H	Right Side Plate B
0091	109XD	Push Button Shield	0285	10FCB	Drive Shaft Screw	0711	10BN9	Free Spool Detent
0092	10LZ9	Screw	0286	10A12	Pinion Gear A	0712	10MPE	Screw
0093	10PWH	Slide Plate Spring	0287	10N9B	Pinion Gear B	0713	10MGA	Screw
0094	109XC	Slide Plate	0290	10MHT	Piston Assembly	0714	10TTY	Washer
0096	105NE	E Lock	0293	10G29	Main Shaft	0715	109ZD	Right Side Plate A
0102	10D5A	Friction Washer A	0295	1060J	Drag Washer	0716	108W7	O Ring
0103	10D67	Friction Washer B	0296	10G4G	Pressure Plate	0717	10PW7	Harness Lug
0105	10KXG	Gear Select Cross Bar	0299	10D8T	Anti-Reverse Ratchet	0718	108CX	Plunger Holder
0106	10KXK	Cross Bar Stop	0300	103UX	Screw	0719	108D2	Alert Plunger
0107	109VM	Drive Shaft Spring B	0301	10CBP	Dog Spring	0720	1052J	Alert Ratchet
0108	10KXP	Drive Shaft Spring	0302	10KNV	Set Plate	0722	10G3X	Drag Plate
0110	105S0	E Lock	0303	10PFY	Dog	0724	107JG	Left Side Plate
0114A	10EWU	Washer	0304	10KVK	Set Plate Support	0725	1032R	Spool
0156	10TUX	Friction Shoe Spring	0308	10CAJ	Lever Shaft Body	0727	103VU	One-Piece Frame
0249	107QP	Drive Shaft Shield	0376	10MLH	Screw	0763	104L6	Bearing Thrust Washer
0253	10BGX	Lever Hub Cover	0562	106AC	Cooling Shield	0764	10EZV	Spacer
0255	108DV	Pre-Program Dial	0563	10LVE	Screw	0769	105ZE	Handle Knob Bushing
0256	10CWE	Dial Click Shoe	0576	10BME	Ball Bearing	0812	108FU	Strike Alert Lever
0257	10J1U	Dial Click	0579	10EYW	O Ring	0873	10PHP	Screw
0258	108HD	Washer	0593	10C3Y	Lever Click Cover			
0259	108GP	Lever Thrust Ring	0594	10MGG	Screw	0391	10JCG	Rod Clamp Nut B (Accessory)
0261	108DD	Lever Thrust Ring	0641	10LVJ	Screw	0392	10J9P	Rod Clamp (Accessory)
0267	10PQS	Screw	0671	104BG	Lever Click Shoe	0393	10JC3	Rod Clamp Nut A (Accessory)
0269	10899	Pre-Program Key	0672	10C3T	Lever Click	0803	10J9W	Rod Clamp Bolt (Accessory)
0270	10FMU	Pre-Program Key Pin	0683	10GUU	Click Spring			
0271	1085K	Pre-Program Screw	0684	10EZP	Plunger Cross Pin A	0146	10TUY	Wrench (Accessory)

Please note that the number of adjusting washers may not be the same as shown in the exploded views.  
(Adjustment will vary with each individual product.)

(230303)\_004