

Thank you for choosing Sunnydaze Decor. We stand behind our brand and the quality of the items we sell. Replacement parts or products can be requested within the 1-year warranty period. Proof of purchase must be provided. This includes the date of the purchase as well as photos of the product defect. Photos are used to determine the cause of the defect and to provide future quality control. The request will be reviewed, and replacement pieces will be sent at our discretion. For warranty information, visit <https://tiny.cc/SunnydazeWarranty>

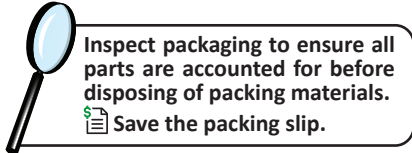
If you have any questions, comments or concerns, feel free to contact us by phone at 833-982-1977, by email: customerservice@sunnydazedecor.com, or via our contact us page at <https://tiny.cc/SunnydazeContact>

STACKED SLATE FREESTANDING FLOOR FOUNTAIN GSI-806

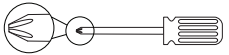
Review all assembly and care information before using this product. Save this manual for future reference.

Select a smooth, level surface to place the fountain.

Assemble components on a soft, clean surface to avoid scratching or damaging the finish.



No.	PARTS	QTY.
A	Fountain Body	1
B	Basin	1
C	Electric Submersible Pump	1
D	Decorative Stones	1 PK

TOOLS REQUIRED (not included)	
	Phillips Screwdriver

IMPORTANT NOTES: Use care when unpacking and assembling this fountain. Check the basin for leaks before assembling the fountain. The sealant used to join the slate pieces can become cracked if the fountain is not handled with care. Simply add water and wait to see if water begins to leak. If a leak is discovered, contact an expert at your local hardware store for an appropriate sealant and carefully follow sealant manufacturer's instructions to seal the leak.

The water tubing is built into the decorative top. Take care when handling the water tube; detaching the water tube from the decorative top will damage the fountain and void the product warranty.

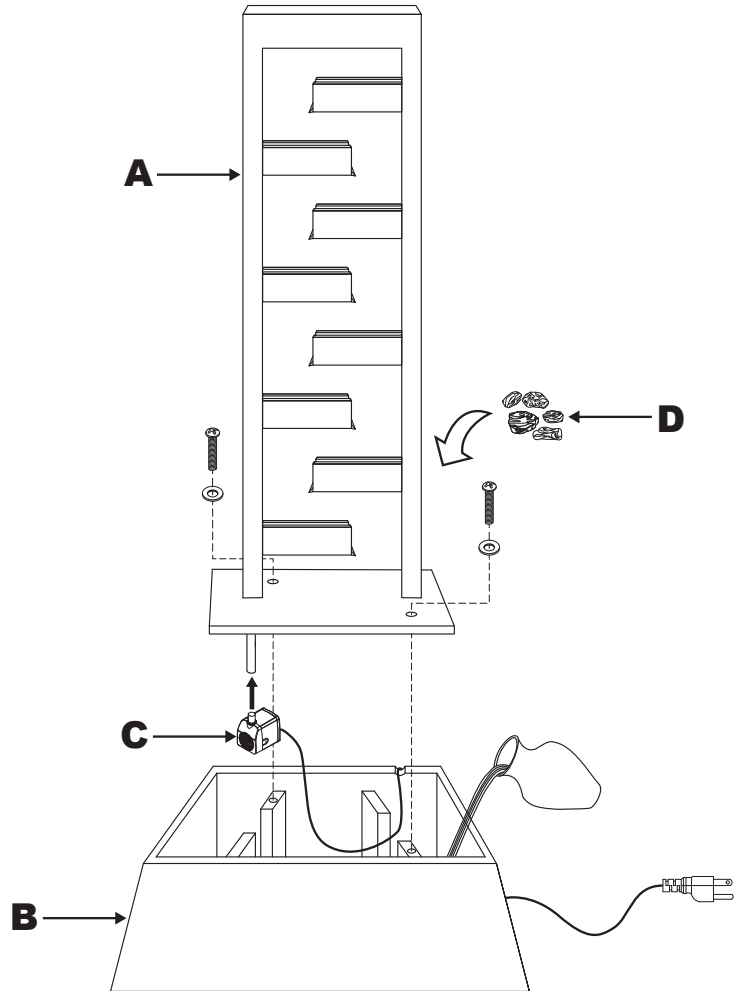
Slate is a natural product; the colors and texture of each piece are unique, no two fountains will look the same. Variations in the slate colors and textures are not a cause for return. Each fountain is cut from large slabs of slate. Spalling (flaking) may occur naturally over time, and/or if slate is dropped.

WARNING: THE ONE-YEAR WARRANTY DOES NOT COVER DAMAGES OR DEFECTS CAUSED BY THE APPLICATION OF CHEMICAL TREATMENTS, PROTECTIVE COATINGS, OR SEALANTS.

ASSEMBLY

1. Remove the bolts and washers from Basin (B).
2. Connect Electric Submersible Pump (C) to Fountain Body (A).
3. Gently place the fountain body onto the basin, ensuring the pump power cord runs out the groove in the back of the basin.
4. Secure the fountain body to the basin using the washers and bolts that were removed during Step 1.
5. Rinse Decorative Stones (D) with clean water. Gently arrange stones on the bottom of the fountain body.
6. Fill the basin with enough water to keep the pump fully submerged during operation, approximately 3 gallons.
7. Plug the power cord into a properly grounded GFCI outlet.

NOTE: When first plugged in, there may be air trapped in the pump. It may take several moments for trapped air to escape, allowing water to flow.



Care & Maintenance

- For outdoor use only. Some splashing is normal; adjust the flow rate on the pump if the water rate is too high.
- Check the water level frequently to ensure the pump remains fully submerged; never allow the pump to run dry as it will burn out the motor.
- Some climates and weather conditions increase water evaporation, requiring water to be added more frequently. Frequently check water levels during times of high temperatures, wind, and long-term exposure to direct sunlight to ensure the pump does not run dry.
- Only use water in this fountain. Distilled water will help prevent mineral buildup but is not required. Tap water is okay to use, but avoid heavily chlorinated water as it may damage the fountain and pump.
- Periodically change the water to keep the water, fountain, and pump clean. Remove scale and buildup regularly.
 - DO NOT use harmful additives such as bleach, chlorine, etc.
 - DO NOT use anything abrasive to scrub the fountain.
 - DO NOT use a pressure washer.
- Always unplug the power supply before cleaning and maintaining the fountain and the recirculating pump.
- Take care when handling the pump; only pick it up by the body of the pump, never the power cord.
- During freezing weather, drain the fountain, disconnect the pump and store indoors; allowing ice to form may damage the fountain in such ways as, but not limited to, fountain cracking and/or permanent pump damage.

Troubleshooting

- If water is not flowing within several moments of the fountain being plugged in, the pump may have air bubbles in it, which can prevent water from circulating properly and can cause excess pump noise.
- Ensure that the pump is not suspended above the water. The pump must be fully submerged under the water.
- Check the flow control on the body of the pump, it may need to be adjusted to achieve the desired water flow rate.
- Inspect the pump and tubing for obstructions.
- Pump noise can be caused by trapped air, low water level, or the pump being too close to the sides of the fountain. Check the pump. If necessary, add water or moving the pump helps to reduce noise.
- Check to make sure the power outlet is working; consult a certified electrician if in doubt about electrical connections.

If you experience issues with assembly or the product was damaged during transit, please contact our customer service team through one of the methods mentioned at the top of page 1.

Please have the item number and order information ready to expedite response time.



IMPORTANT SAFETY INFORMATION



- For outdoor use only.
- Keep fountain out of reach of children and pets.
- Make sure the power cord is away from traffic areas.
- Keep power cord away from all heat sources. Do not use electrical cords in areas with high temperatures.
- Check the water level frequently to ensure the pump remains fully submerged; never allow the pump to run dry as it will burn out the motor.
- Always unplug the power supply before cleaning and maintaining the fountain and the recirculating pump.
- Take care when handling the pump; only pick it up by the body of the pump, never by the power cord.

Any modification to the product or failure to follow recommended care will void the product warranty.

WARNING!

Manufacturer and seller expressly disclaim any and all liability from personal injury, property damage or loss, whether direct or indirect, or incidental, resulting from the incorrect attachment, improper use, inadequate maintenance, or neglect of this product.