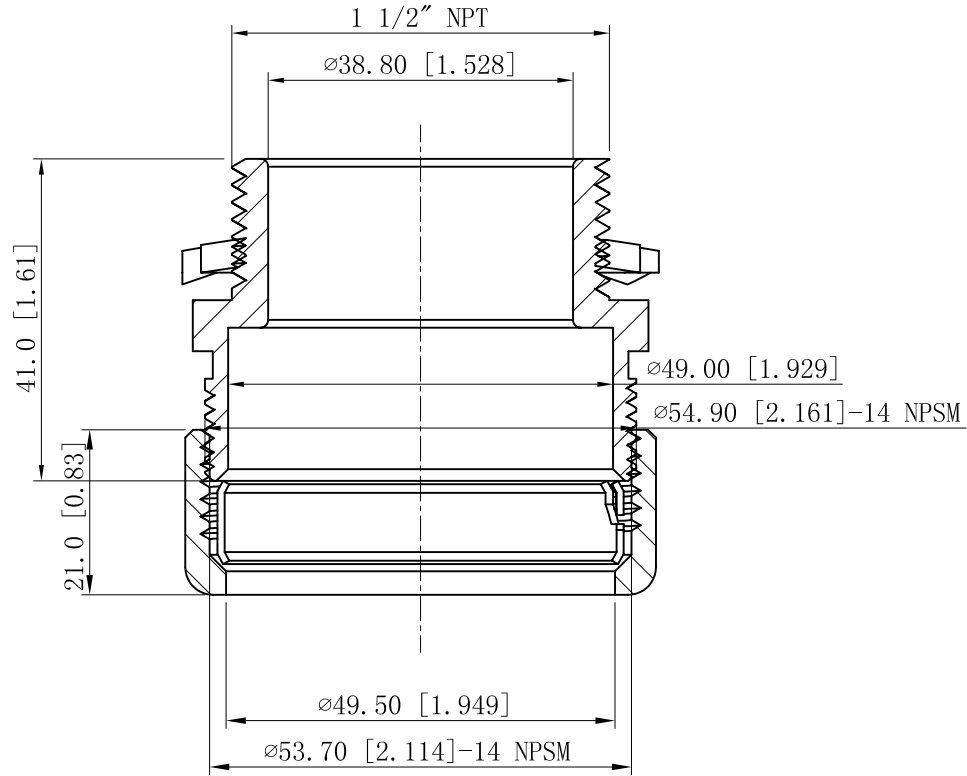
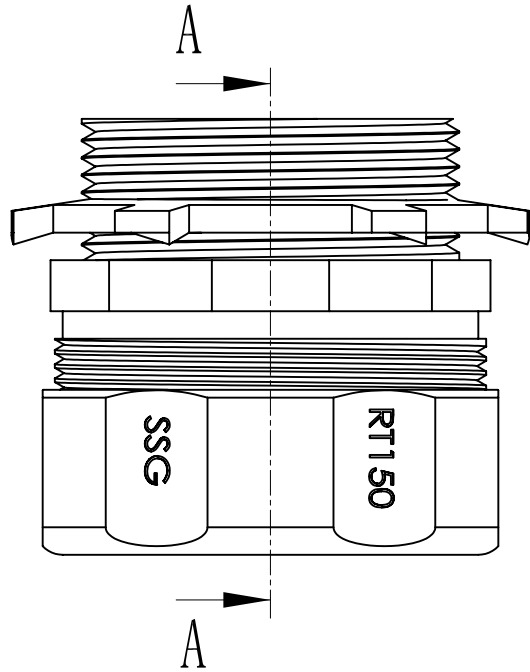
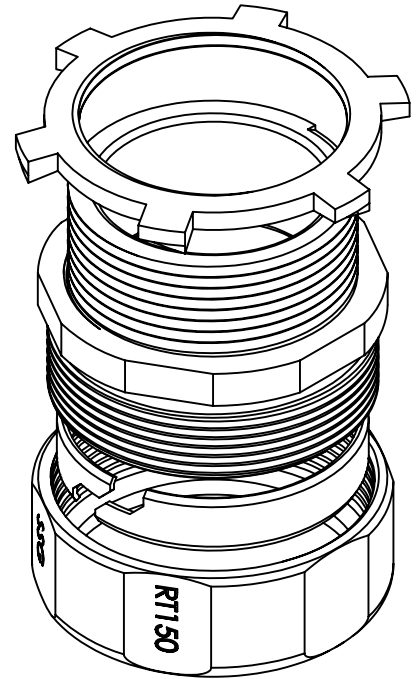


SIDES	BOTTOM
Material:C1018 Seamless steel tube	



CUTAWAY VIEW A-A



DESCRIPTION
TRADE REFERENCE TERMS

This data sheet is for reference only .GARVIN INDUSTRIES reserves the right to make changes to the design without prior notice.

STANDARD PACKING	<h1 style="text-align: center;">GARVIN INDUSTRIES</h1>		
5 PCS			
	SIZE	DWG NO.	REV
	A4	RT150	A
	DATA SHEET		