

SNP-L6233RH

2Megapixel Full HD 23x Network IR PTZ Dome Camera

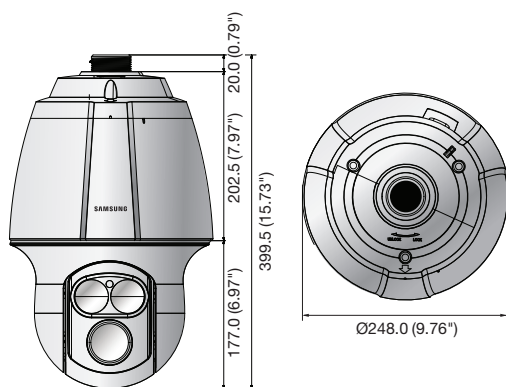


Key Features

- Max. 2M (1920 x 1080) resolution
- 16 : 9 Full HD (1080p) resolution support
- 4.4 ~ 101.2mm (23x) IR corrected optical zoom, 12x digital zoom
- H.264, MJPEG dual codec, Multiple streaming
- Day & Night (ICR), WDR (100dB)
- Intelligent video analytics
- PoE+, SD/SDHC/SDXC memory slot, Bi-directional audio support
- IP66, IK10, IR LED (2ea)

Dimensions

Unit : mm (inch)



SNP-L6233RHN/P	
VIDEO	
Imaging Device	1/2.8" 2.38M CMOS
Total / Effective Pixels	1,952(H) x 1,116(V), 2.18M pixels / 1,944(H) x 1,104(V), 2.14M pixels
Scanning System	Progressive
Min. Illumination	Color : 0.3Lux (1/30sec, F1.6, 50IRE), 0.005Lux (2sec, F1.6, 50IRE) 0.1Lux (1/30sec, F1.6, 30IRE), 0.0005Lux (2sec, F1.6, 30IRE)
S / N Ratio	50dB
Video Output	CVBS : 1.0Vpp / 75Ω composite, 720 x 480(N), 720 x 576(P), for installation
LENS	
Focal Length (Zoom Ratio)	4.4 ~ 101.2mm (Optical 23x)
Max. Aperture Ratio	F1.6(Wide) / F4.5(Tele)
Angular Field of View	H : 63.68°(Wide) ~ 3.1°(Tele) / V : 37.52°(Wide) ~ 1.76°(Tele)
Min. Object Distance	1.5m (4.92ft)
Focus Control	AF / One-shot AF / Manual
Lens / Mount Type	DC auto iris (IR corrected) / Board-in type
PAN / TILT / ROTATE	
Pan / Tilt Range	360° Endless / 190° (-5° ~ 185°)
Pan / Tilt Speed	Preset : 250°/sec, Manual : 0.024°/sec ~ 120°/sec
Sequence / Preset Accuracy	Preset (255ea), Swing, Group (6ea), Trace, Tour, Auto run, Schedule / ±0.2°
Azimuth	Yes (E / W / S / N / NE / SE / NW / SW OSD)
OPERATIONAL	
IR LED	2ea
Viewable Length	100m (328.08ft)
Camera Title	Off / On (Displayed up to 15 characters)
Day & Night	Auto (ICR) / Color / B/W
Backlight Compensation	Off / BLC / HLC / WDR
Wide Dynamic Range	100dB
Contrast Enhancement	SSDR (Samsung Super Dynamic Range) (Off / On)
Digital Noise Reduction	SSNR (2D+3D noise filter) (Off / On)
Digital Image Stabilization	Off / On
Defog	Off / Auto / Manual
Motion Detection	Off / On (4ea, Rectangular zones)
Privacy Masking	Off / On (32ea, Rectangular zones)
Gain Control	- Color : Grey / Green / Red / Blue / Black / White, - Zoom ratio option for mask mode
White Balance	Off / Low / Medium / High / Manual
Electronic Shutter Speed	ATW / AWC / Manual / Indoor / Outdoor / Mercury / Sodium
Digital Zoom	Minimum / Maximum / Anti flicker (2 ~ 1/12,000sec)
Flip / Mirror	12x, area zoom function support digital zoom 2x
Intelligent Video Analytics	Off / On
Alarm I/O	Tampering (Scene change), Virtual line, Enter / Exit, (Dis)Appear, Audio detection, Face detection
Remote Control Interface	Input 4ea / Output 3ea (Relay type)
RS-485 Protocol	RS-485/422
Alarm Triggers	Samsung-T/E, Pelco-P/D, Panasonic, Honeywell, AD, Vicon, Bosch, GE
Alarm Events	Alarm input, Motion detection, Intelligent video analytics, Network disconnect
Local storage	File upload via FTP and E-mail, Notification via E-mail, Local storage(SD/SDHC) or NAS recording at event triggers, External output, PTZ preset
NETWORK	
Ethernet	RJ-45 (10/100BASE-T)
Video Compression Format	H.264 (MPEG-4 Part 10/AVC) : Main / Baseline / High, MJPEG
Resolution	1920 x 1080, 1280 x 1024, 1280 x 960, 1280 x 720, 1024 x 768, 800 x 600, 720 x 576, 640 x 480, 640 x 360, 320 x 240, 320 x 180
Max. Framerate	H.264 : Max. 30fps at all resolutions MJPEG : 1920 x 1080, 1280 x 1024, 1280 x 960, 1280 x 720, 1024 x 768 : Max. 15fps 800 x 600, 720 x 576, 640 x 480, 640 x 360, 320 x 240, 320 x 180 : Max. 30fps
Smart Codec	Manual mode (Area-based : 5ea), Face detection mode
Video Quality Adjustment	H.264 : Compression level, Target bitrate level control, MJPEG : Quality level control
Bitrate Control Method	H.264 : CBR or VBR, MJPEG : VBR
Streaming Capability	Multiple streaming (Up to 10 profiles)
Audio In	Selectable (Mic in / Line in), Supply voltage : 2.5V DC (4mA), Input impedance : approx. 2K Ohm
Audio Out	Line out (3.5mm stereo mini jack), Max output level : 1 Vrms
Audio Compression Format	G.711 u-law/G.726 selectable, G.726 (ADPCM) 8KHz, G.711 8KHz, G.726 : 16Kbps, 24Kbps, 32Kbps, 40Kbps
Audio Communication	Bi-directional audio (2-way)
IP	IPv4, IPv6
Protocol	TCP/IP, UDP/IP, RTP(UDP), RTP(TCP), RTCP, RTSP, NTP, HTTP, HTTPS, SSL, DHCP, PPPoE, FTP, SMTP, ICMP, IGMP, SNMPv1/v2c/v3(MIB-2), ARP, DNS, DDNS, QoS, PIM-SM, UPnP, Bonjour
Security	HTTPS(SSL) login authentication, Digest login authentication
Streaming Method	IP address filtering, User access log, 802.1x authentication (EAP-TLS, EAP-LEAP)
Max. User Access	Unicast / Multicast 15 users at unicast mode
Edge Storage	SD/SDHC/SDXC (Up to 128G)
Application Programming Interface	Motion Images recorded in the SD/SDHC/SDXC memory card can be downloaded NAS (Network Attached Storage), Local PC for instant recording
Webpage Language	ONVIF profile S, SUNAPI (HTTP API), SVNP 1.2 English, French, German, Spanish, Italian, Chinese, Russian, Japanese, Swedish, Danish, Portuguese, Turkish, Polish, Czech, Rumanian, Serbian, Dutch, Croatian, Hungarian, Greek
Web Viewer	Supported OS : Windows XP / VISTA / 7 / 8, MAC OS X 10.7 Supported Browser : Microsoft Internet Explorer (Ver.8 ~ 11), Mozilla Firefox (Ver.9 ~ 19), Google Chrome (Ver.15 ~ 25), Apple Safari (Ver.6.0.2(Mac OS X 10.8, 10.7 only), 5.1.7) * Mac OS X only
Central Management Software	SmartViewer, SSM
ENVIRONMENTAL	
Operating Temperature / Humidity	-50°C ~ +55°C (-58°F ~ +131°F) / Less than 90% RH
Storage Temperature / Humidity	-30°C ~ +60°C (-22°F ~ +140°F) / Less than 90% RH
Ingress Protection / Vandal Resistance	IP66 / IK10
ELECTRICAL	
Input Voltage / Current	24V AC only / 6A
Power Consumption	Max. 30W (Heater off) / Max. 35W/90W (Heater off/on, IR on)
MECHANICAL	
Color / Material	Ivory / Aluminum
Dimensions (WxH)	Ø248.0 x 399.5mm (Ø9.76" x 15.73")
Weight	7.1Kg (15.65 lb)

Accessories (Optional)



SBP-300WM1 SBP-300WM SBP-300CM SBP-300LM SBP-300B SBP-300PM SBP-300KM

* The latest product information / specification can be found at www.samsungsecurity.com