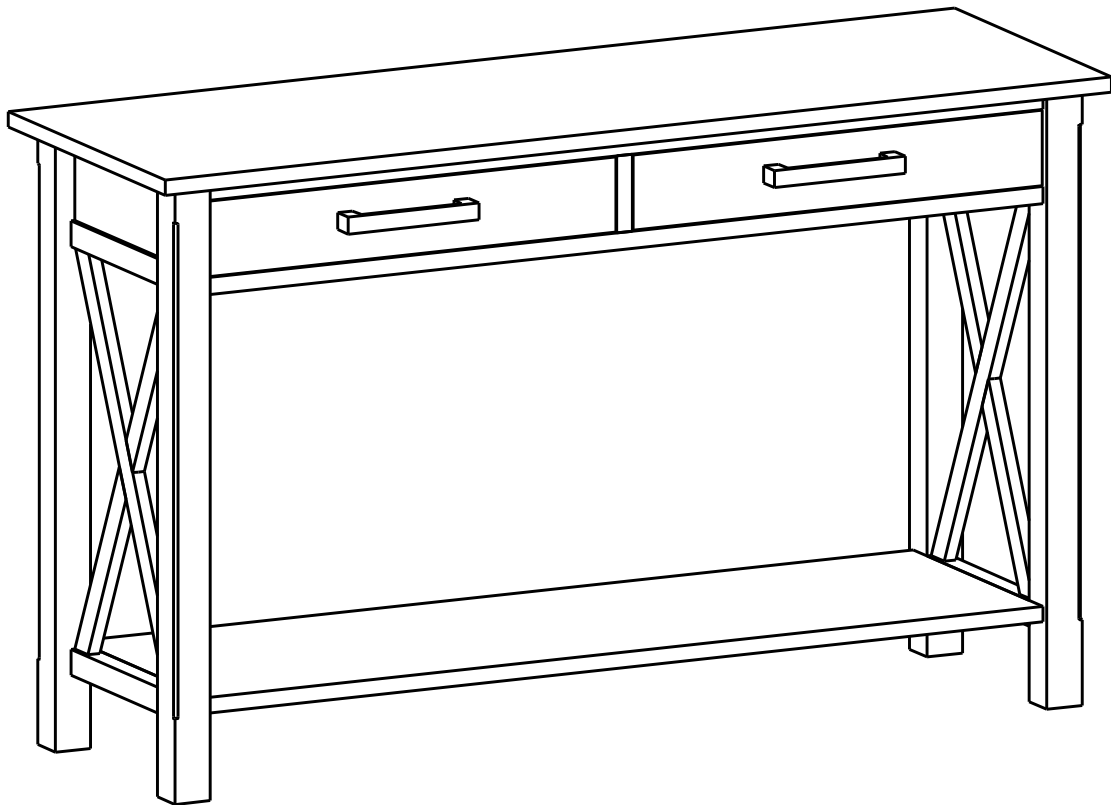


SIMPLIHOME®

Kitchener / Waterloo / Providence

Console Sofa Table

Model # 3AXCRGL003-GR



brooklyn + max™

Wynden Hall™
HOME DECOR

SIMPLIHOME®

Great quality is a right.

Thank you for shopping with Simpli Home,
America's top brand for high-value furniture.



It's time to register your product warranty.

It's quick and easy. And you'll be happy you did.



- ✓ Activate your **1-year** warranty
- ✓ Automatic entry to win a **\$500** gift certificate
- ✓ Earn instant rewards and **save**



simpli-home.com/product-registration

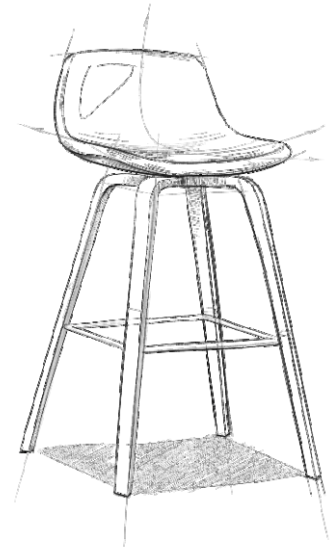
SIMPLIHOME®

Review your product and collect rewards!

Thank you for your purchase! We hope you enjoy it. We'd love your feedback. Please share a review and get instant rewards!



simpli-home.com/product-review



Share photos and get your cash back!



Send us images or share them on social and qualify for instant rewards. You may even receive store credit on your entire purchase!



simpli-home.com/share-images

SIMPLIHOME®

For Fastest Customer Service:



1. Open your phone's camera.
2. Point your phone's camera at the QR code to scan.
3. Click on the pop up.
4. You'll be taken to our customer service page.
5. Fill the form with your order information and issue.
6. Submit form.
7. A customer service associate will contact you.

Other ways to contact us...



Email Us

customerservice@simpli-home.com



Visit Us

Visit our site directly at
www.simpli-home.com



Call Us

1-866-518-0120
Monday to Friday
9am to 5pm EST

***If you've purchased from a retailer and you wish to return the product, please contact the retailer directly.**

IMPORTANT: Please read this manual carefully before beginning assembly of this product. Keep this manual for future reference.

Safety Information

Identify all the parts and hardware. Do not discard of the packaging until you have checked that you have all the parts and hardware required. Hardware package may have spare parts.

WARNING: This item contains small parts which can be swallowed by children and pets. Keep children and pets away during assembly. To avoid danger of suffocation, always keep plastic bags away from children and pets.

We recommend that you assemble this unit on a carpeted floor to avoid scratches. If using power tools, set the tool to low torque to avoid damage.

May require 2 people for ease of assembly.

Care & Maintenance

This furniture is designed for indoor use.

Perhaps the greatest environmental damage to wood furniture comes from wide swings in relative humidity (RH) in our homes. Wood absorbs and desorbs water as relative humidity rises and falls, and in doing so it swells and shrinks. Making matters worse, it expands and contracts unequally along different grain directions. As humidity changes, the components of wooden objects are continually pushing and pulling against each other. This pressure often results in parts of furniture no longer fitting together closely or becoming distorted or breaking from their own internal stresses.

The response to relative humidity changes begins with determining the annual average RH for your particular space. Then try to keep the RH in the space where your furniture is as close to that average as possible, generally within about 10% up or down. De-humidify in the summer and humidify in the winter.

Be aware that raising the temperature lowers the humidity and vice versa. Thus, modern heating systems, which can drive down interior RH in the winter, almost invariably cause problems for furniture. To counteract their effect, you can either modify the RH by keeping furniture containing spaces cooler in the winter or most importantly, have a good working humidifier for your home. A humidistat automatically works to balance the humidity in your home so it is constant. Dry indoor air can suck enough moisture from its surroundings to do permanent damage to wood, causing it to crack or split.

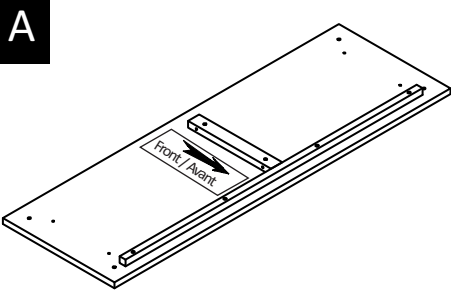
Remember, that not all woods are created equal. Two factors that help determine how rapidly a wood will lose moisture are pore size and surface hardness. A piece made from a dense and hard wood will dry less rapidly than pieces made from softer woods.

Furniture that is sealed and lacquered will lose moisture more slowly than an unfinished piece while pieces with veneer finishes are not only stronger but lose moisture more slowly than other finishes.

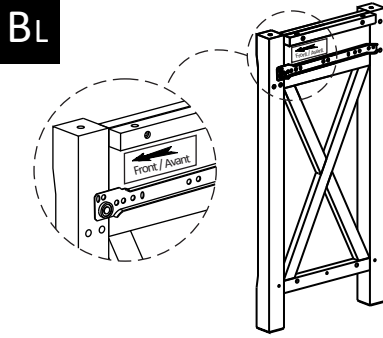
To help protect your wood furniture, take these steps:

- Use a humidifier, preferably one with an automatic control system that can sense the humidity level and adjust itself accordingly
- Don't over-humidify; that can damage wood by causing it to expand and contract
- Keep furniture out of direct sunlight, which can cause it to dry out, crack and warp
- If you can avoid it, don't put furniture near heating vents; if you can't, keep the item 3 to 4 inches away from the wall, giving the heat and air space to circulate
- Dust with soft dry cloth
- Do not use liquid or aerosol products
- To avoid marking, do not place rubber on surface (foot pads, etc.)
- For soil build-up, wipe with damp cloth & dry
- Do not use abrasive cleaners

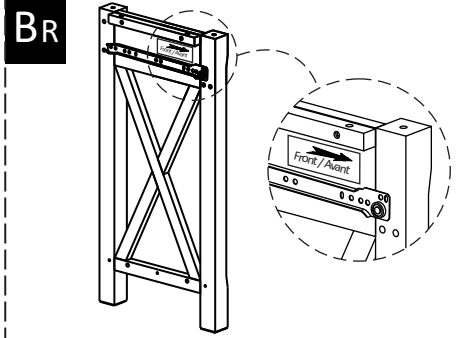
Part Description



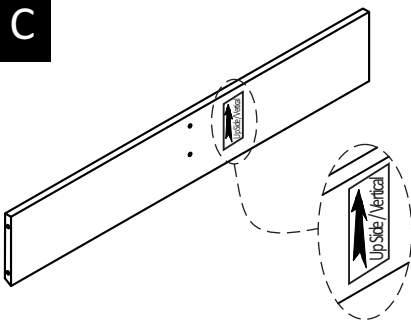
TOP
QTY 1



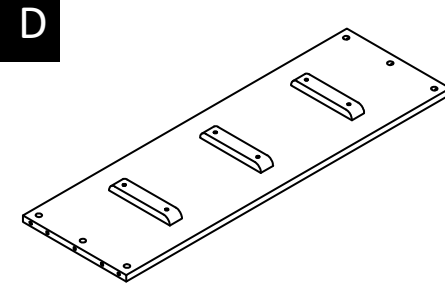
LEFT SIDE
QTY 1



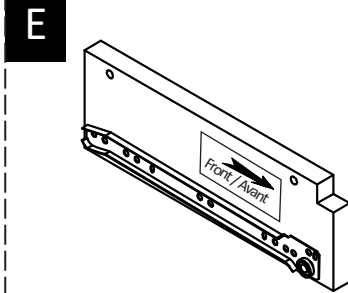
RIGHT SIDE
QTY 1



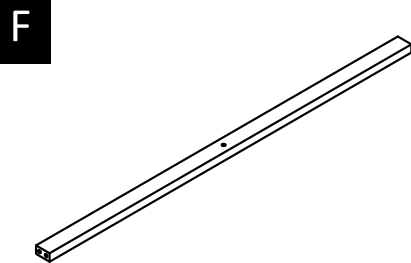
BACK PANEL
QTY 1



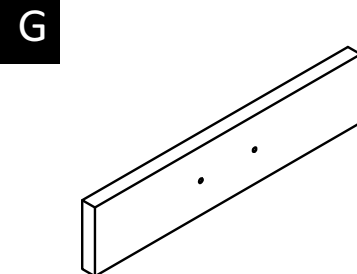
BOTTOM SHELF
QTY 1



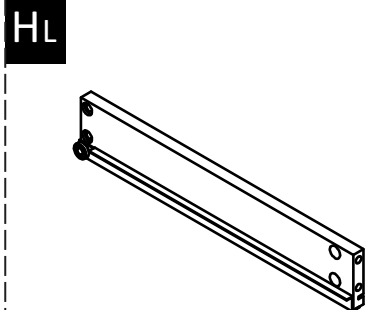
DIVIDER
QTY 1



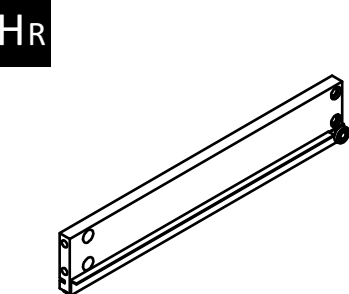
FRONT BAR
QTY 1



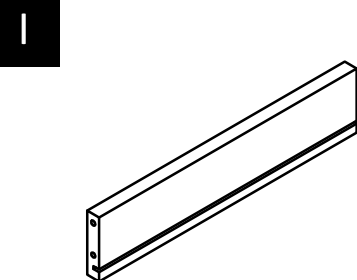
DRAWER FRONT
QTY 2



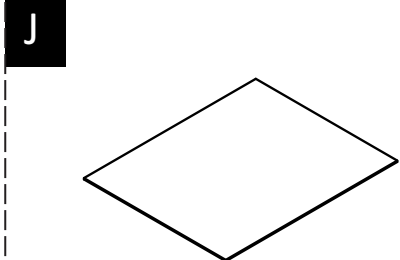
LEFT DRAWER SIDE
QTY 2



RIGHT DRAWER SIDE
QTY 2



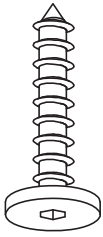
DRAWER BACK
QTY 2



DRAWER BOTTOM
QTY 2

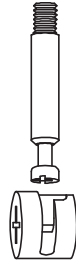
Hardware Description

1



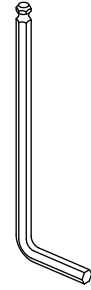
ALLEN KEY SCREW
M6 X 30 mm
QTY 15

2



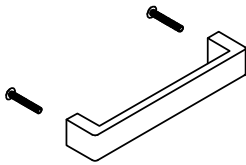
CAM LOCK PIN
CAM LOCK
QTY 14 SETS

3



ALLEN KEY
QTY 1

4

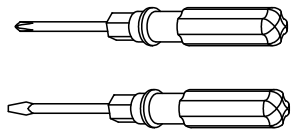


HANDLE
M4 X 25 mm
QTY 2 SETS

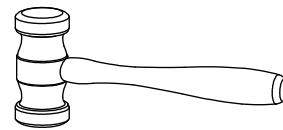
5

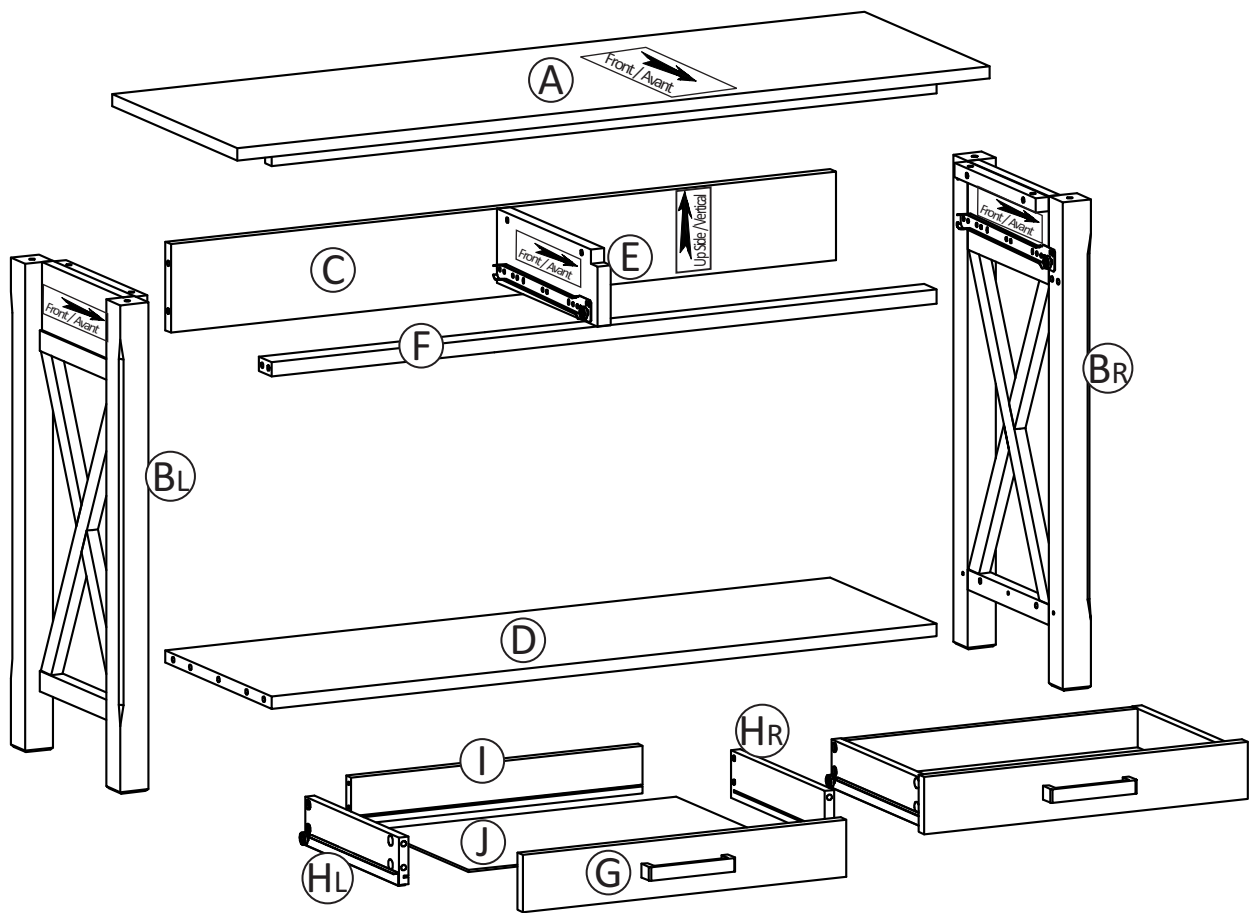


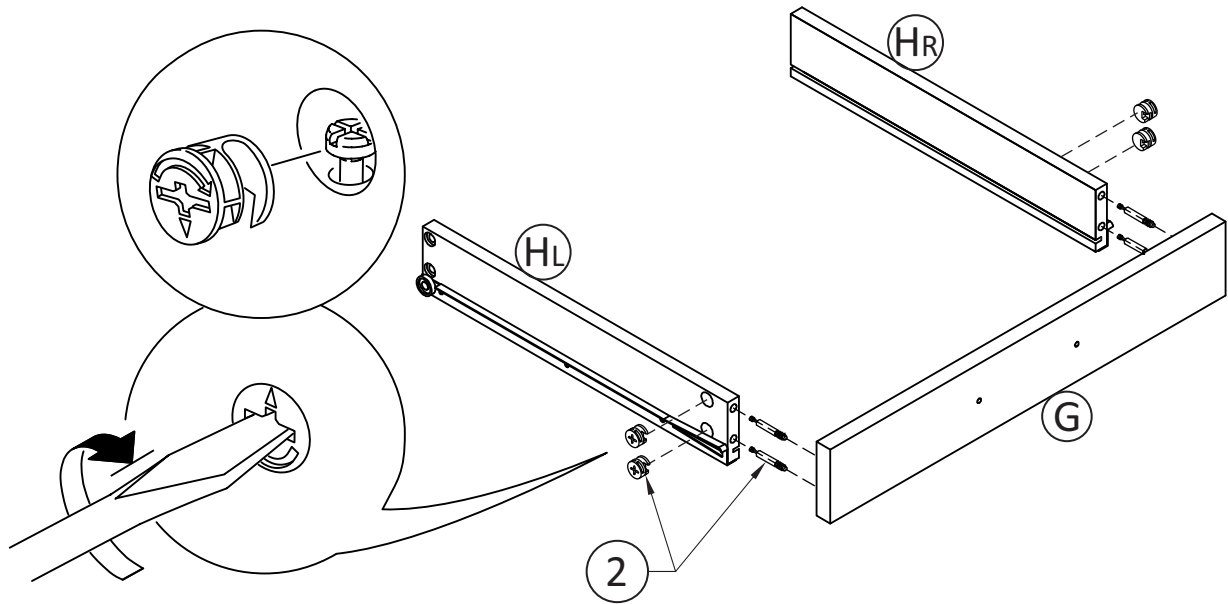
WOOD DOWEL
Ø8 X 30 mm
QTY 18



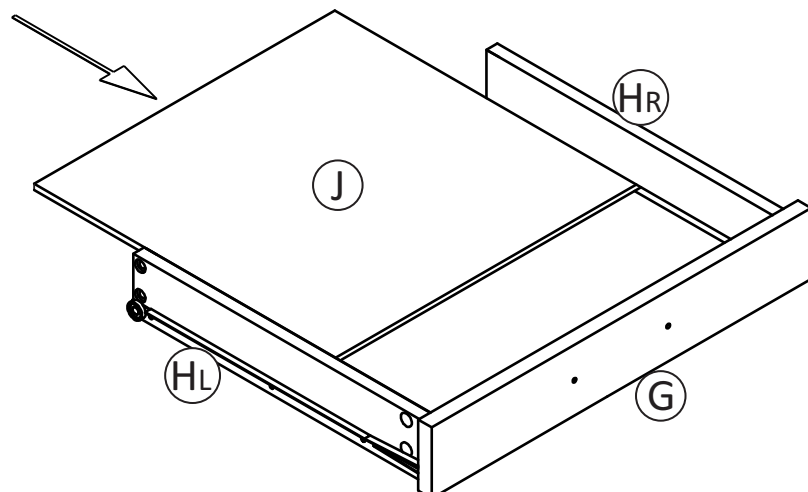
Required-
Flathead screwdriver
Phillips screwdriver
Rubber mallet
Not Included





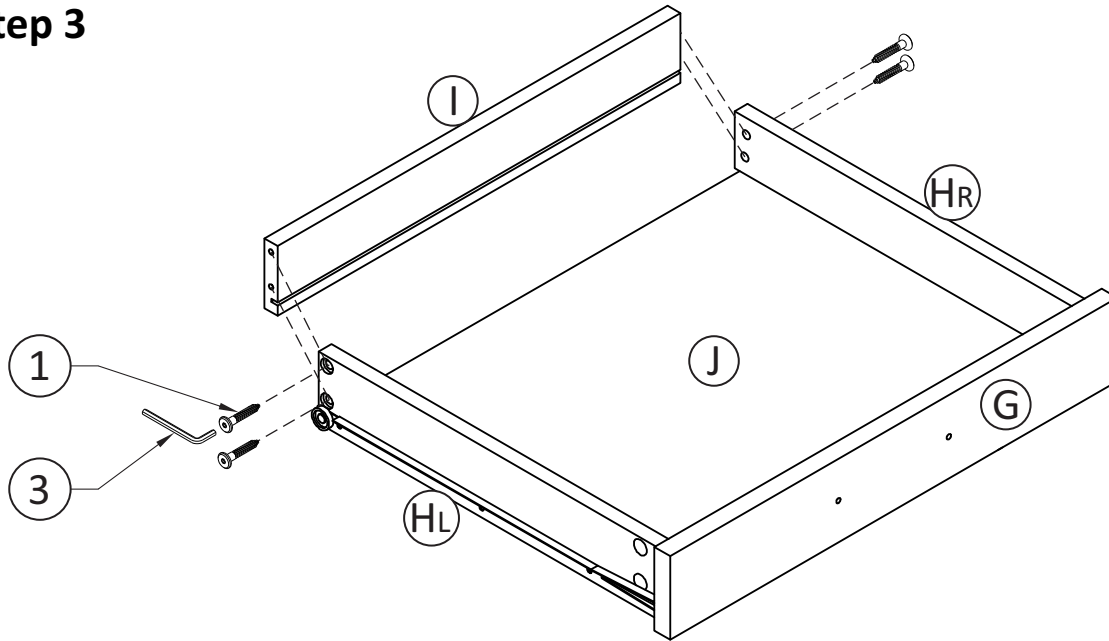
Step 1

1. Attach 4 Cam Lock Pins (2) to back of Drawer Front (G).
2. Align Cam Lock Pins with guide holes and attach Drawer Sides (HL, HR).
3. Insert 2 Cam Lock (2) into guide holes on each Drawer Side (HL, HR).
4. Use flathead screwdriver to secure Cam Locks.

Step 2

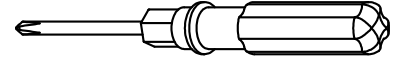
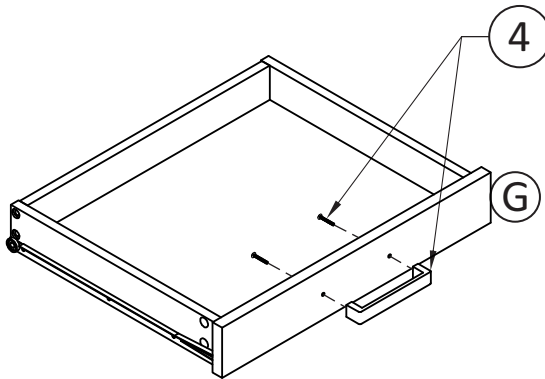
1. Slide Drawer Bottom (J) firmly into slots on Drawer Sides (HL, HR) and Drawer Front (G).

Step 3



1. Align Drawer Back (I) with Drawer Bottom (J) and press firmly into slot.
2. Attach back using 2 Allen Key Screws (1) through guide holes on each side.
3. Use Allen key (3) to tighten. Do not over-tighten.

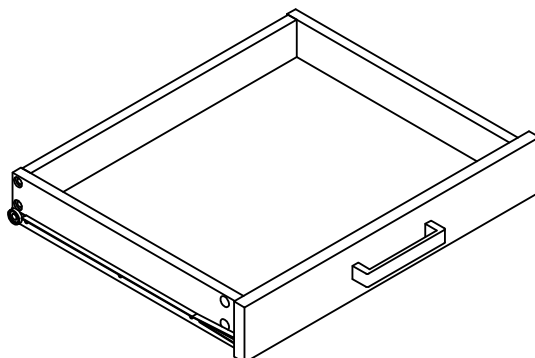
Step 4



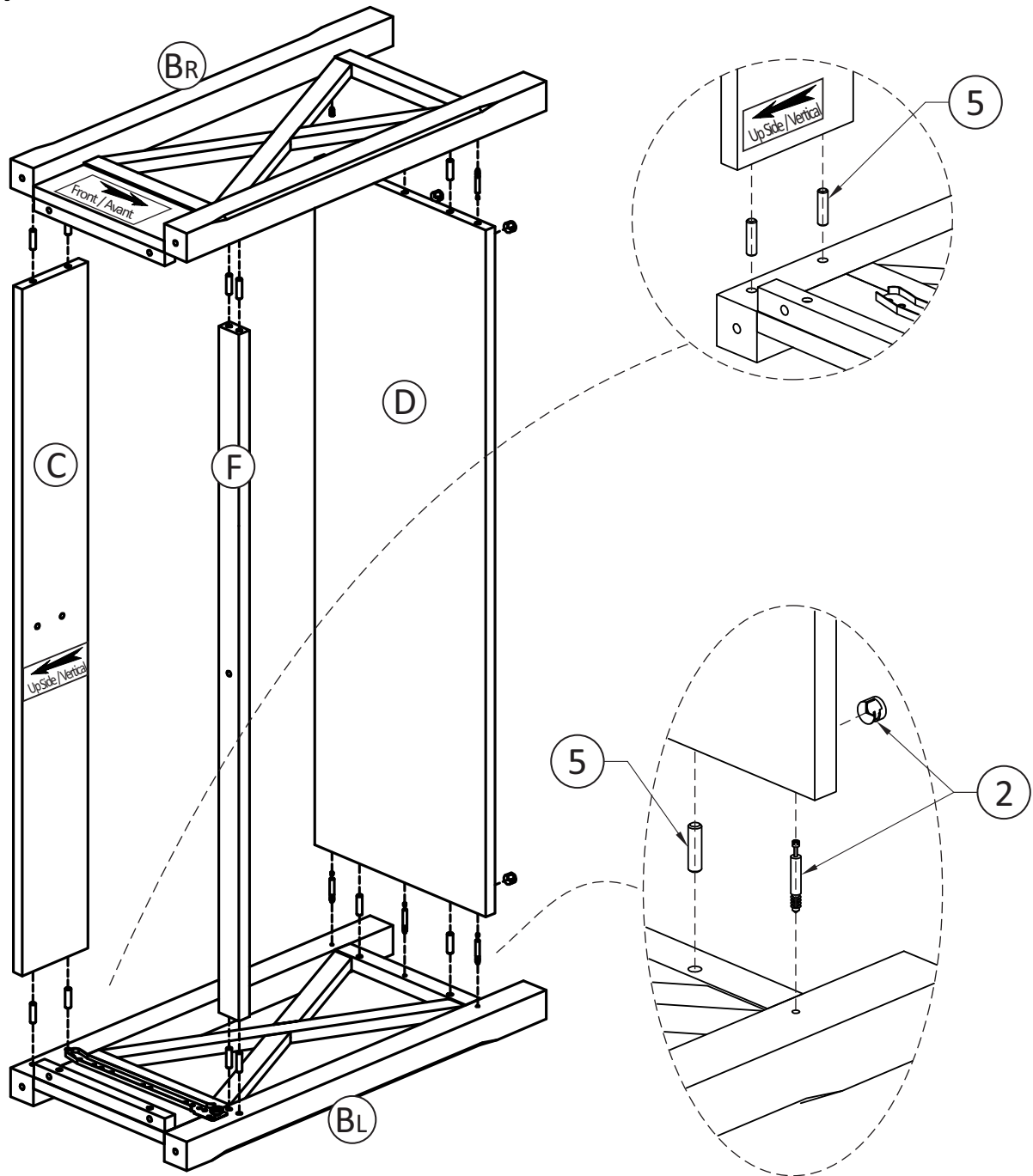
NOTE: The screwdriver is not included in the hardware pack.

1. Use Phillips Screwdriver to attach Handle (4) to Drawer Front (G).

Repeat Step 1-4 for the second drawer.

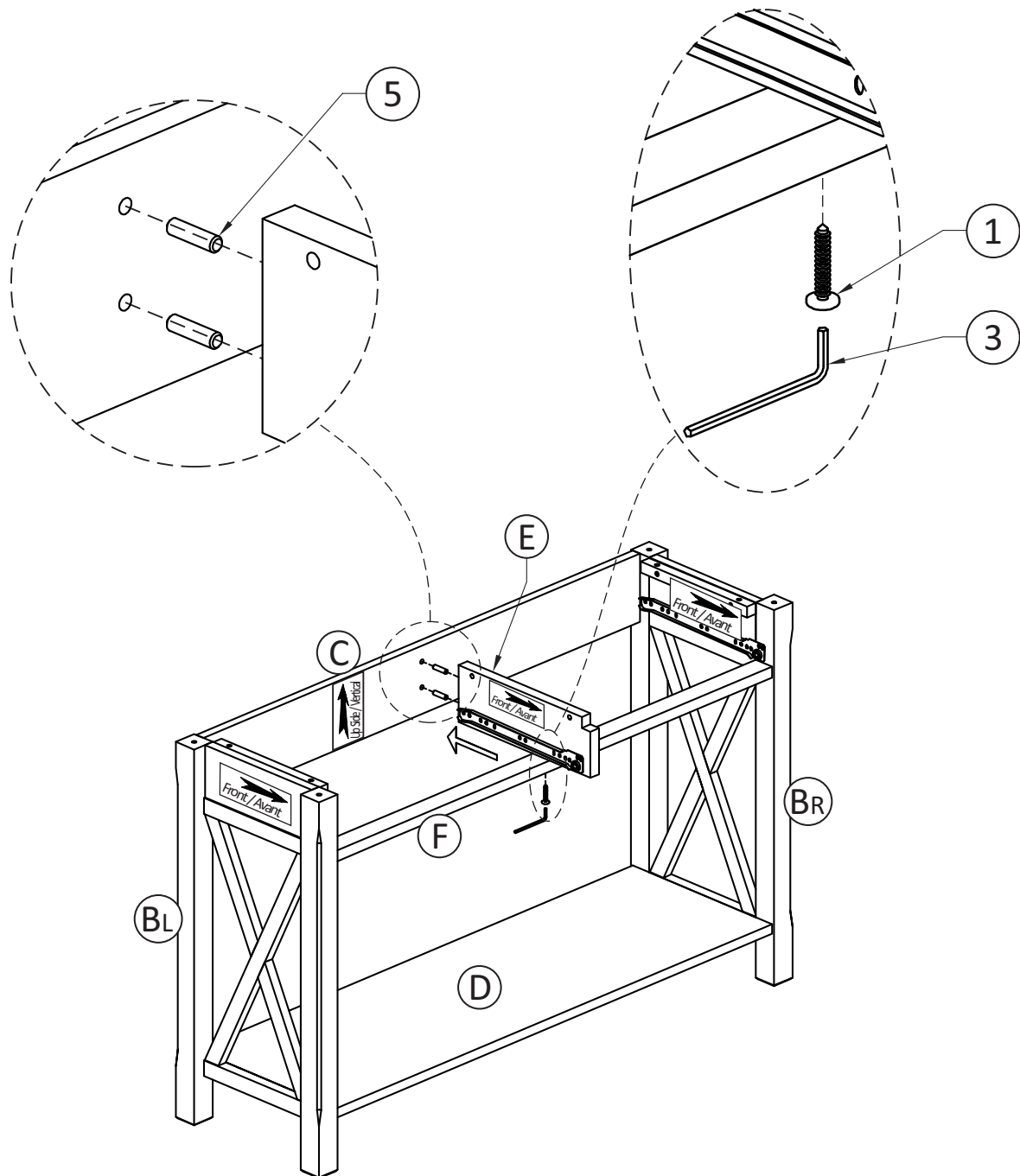


Step 5



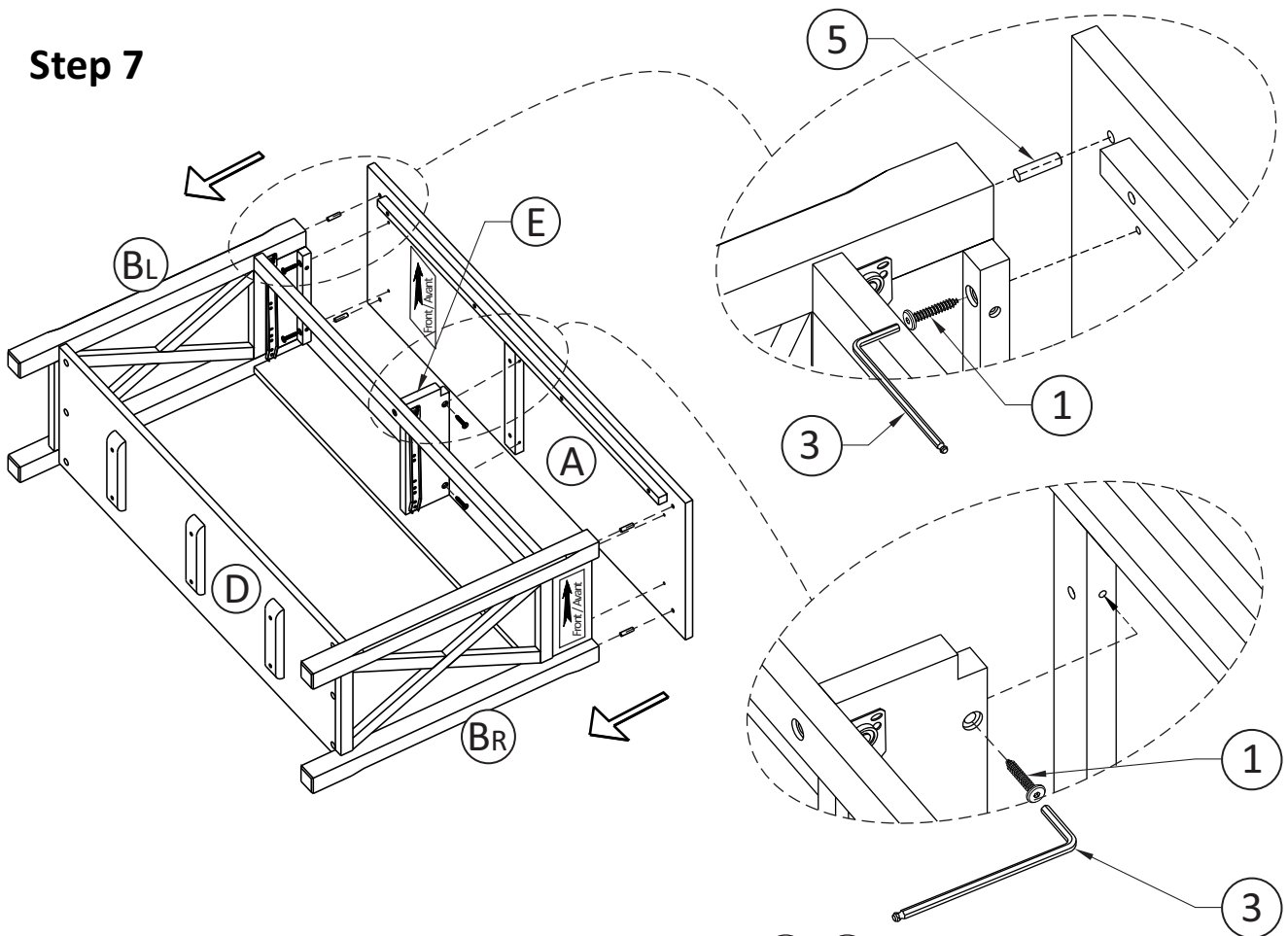
1. Insert 4 wood Dowel (5) into of each Back Panel (C), Front Bar (F) and Bottom Shelf (D).
2. Use rubber mallet to tap Dowels (5) into bottom of holes securely. 1/2 length of Dowels should be exposed.
3. Attach 3 Cam Lock Pins (2) to into each Side (BL, BR).
4. Align wood Dowel (5) on (C), (F), (D) with guide holes of Side (BL, BR).
5. Align Cam Lock Pins with guide holes and attach Bottom Shelf (D).
6. Insert 6 Cam Locks (2) into guide holes on Bottom Shelf (D).
7. Use flathead screwdriver to secure Cam Locks.

Step 6



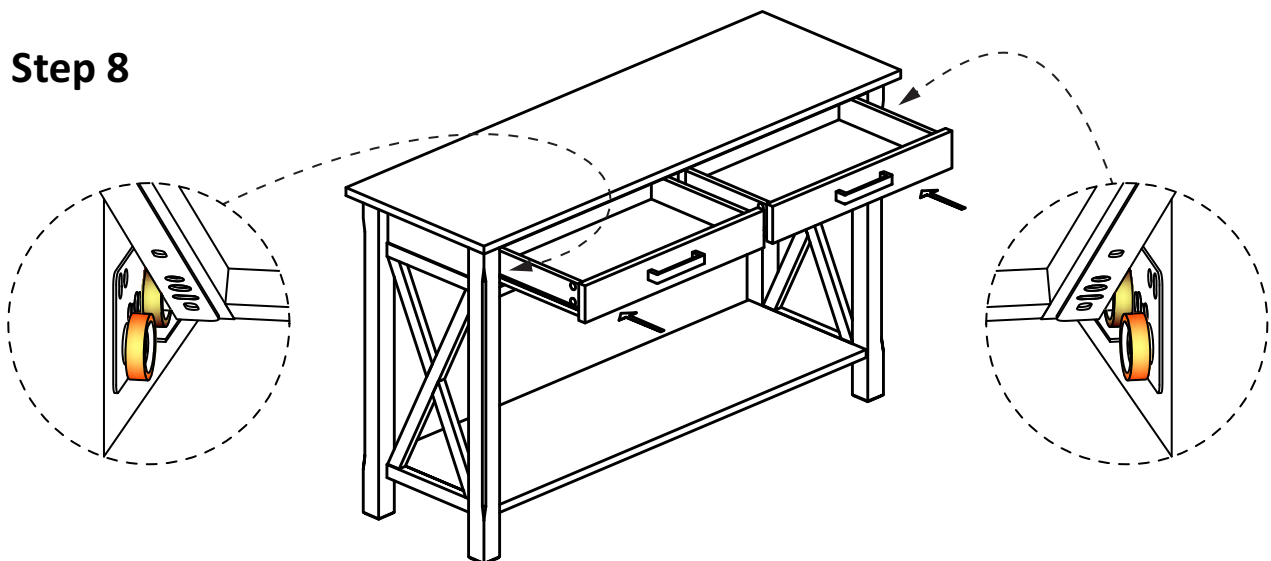
1. Insert 2 Dowels ⑤ into Divider ⑥.
2. Use rubber mallet to tap Dowels ⑤ into bottom of holes securely. 1/2 length of Dowels should be exposed.
3. Align Wood Dowels ⑤ on Divider ⑥ with guide holes on Back panel ③.
4. Use Allen Key Screw ① attach Front bar ④ to Divider ⑥.
5. Use Allen key ② to tighten Allenkey Screw. Do not over-tighten .

Step 7



1. Insert 2 Dowels (5) into top corners of each Side (BL), (BR).
2. Use rubber mallet to tap Dowels (5) into bottom of holes securely. 1/2 length of Dowels should be exposed.
3. Align guide holes on bottom corners of Top (A) with Dowels (5) in Sides (BL), (BR).
4. Use Allen Key Screw (1) attach Top (A) to Sides (BL), (BR) and to Divider (E).
5. Use Allen key (3) to tighten Allen key Screw. Do not over-tighten .

Step 8



1. Insert assembled drawers into slots on assembled table.
2. Drawers can be inserted into either side of table opening.