



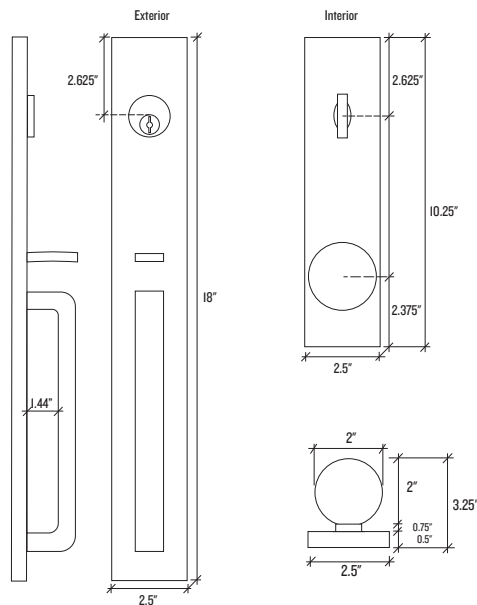
Lausanne Entrance Handleset with Globe Knob—Keyed

Keyed entrance handlesets lock with a single cylinder deadbolt and are primarily used on exterior doors.

Made-to-order and custom assembled to your specifications, the Lausanne Entrance Handleset with Globe Knob is designed and crafted to stand the test of time. Made from solid brass parts and featuring premium finishes and mechanisms, each piece is built by hand to exacting quality standards.

- Made by Emtek, a respected manufacturer with decades of door hardware experience
- Covered by Manufacturer's Lifetime Limited Warranty
- Assembled in the USA of domestic and imported parts
- Ships direct from the manufacturer
- Requires standard door preparation and installation
 - Single 2-1/8" bore hole and 1" edge bore
- Features 28° latch
- Sold as a complete set
- Includes:
 - Latch plate
 - Full-lip strike plate
 - Inside passage half spindle
 - Concealed fastener installation kit
- This is made to order and non-returnable

Backset	2-3/8" or 2-3/4"
Compatible Door Thickness	1-3/4" - 2-1/8"
Door Prep	Standard
Backplate Dimensions	Exterior: 2.5" W x 18" H Interior: 2.5" W x 10.25" H
Backplate Thickness	0.5"
Exterior Trim Projection	2.75"
Interior Trim Projection	3.25"
Knob Dimensions	2" Dia
Clearance Dimensions	Exterior: 1.44"



Finish Options



Flat Black (FB) Satin Brass (SB) Satin Nickel (SN)

SCHOOLHOUSE



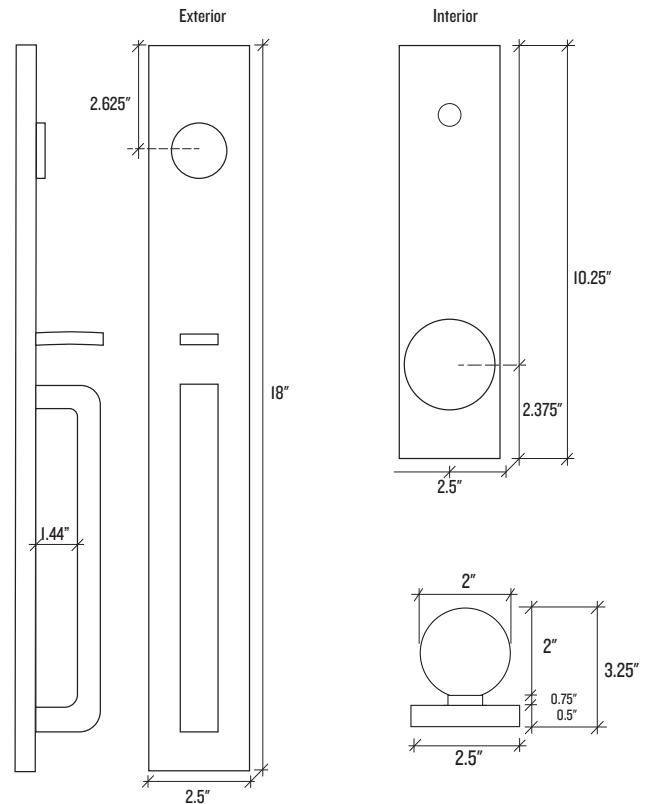
Lausanne Entrance Handleset with Globe Knob—Dummy

Dummy entrance handlesets feature non-functioning exteriors and non-turning interiors and balance the look of double doors.

Made-to-order and custom assembled to your specifications, the Lausanne Entrance Handleset with Globe Knob is designed and crafted to stand the test of time. Made from solid brass parts and featuring premium finishes and mechanisms, each piece is built by hand to exacting quality standards.

- Made by Emtek, a respected manufacturer with decades of door hardware experience
- Covered by Manufacturer's Lifetime Limited Warranty
- Assembled in the USA of domestic and imported parts
- Ships direct from the manufacturer
- Requires standard door preparation and installation
 - Two 2-1/8" bore holes with 5-1/2" center-to-center hole spacing
- Features Schlage C Keyway and includes 2 keys
- Sold as a complete set
- Includes 1.5" backplate screws
- This is made to order and non-returnable

Backplate Dimensions	Exterior: 2.5" W x 18" H Interior: 2.5" W x 10.25" H
Backplate Thickness	0.5"
Exterior Trim Projection	2.75"
Interior Trim Projection	3.25"
Knob Dimensions	2" Dia
Clearance Dimensions	Exterior: 1.44"



Finish Options



Flat Black (FB) Satin Brass (SB) Satin Nickel (SN)