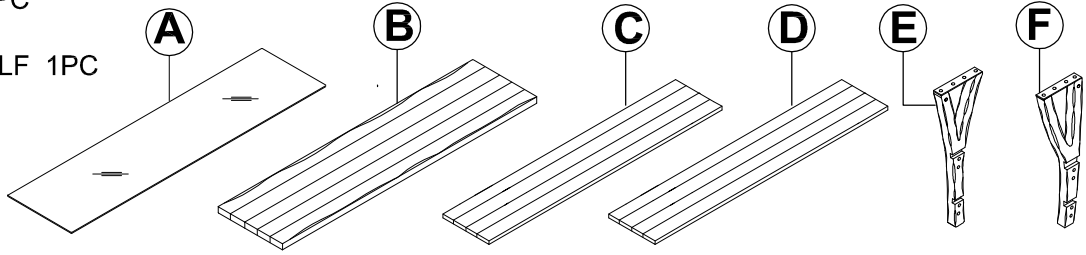


# BRIDGER CONSOLE TABLE ASSEMBLY INSTRUCTIONS



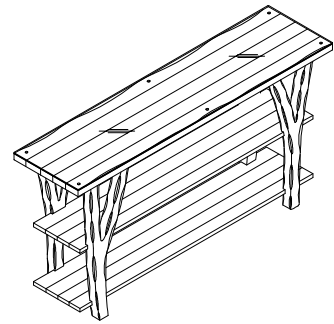
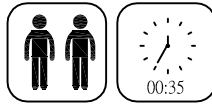
## PARTS PACKING CONFIGURATIONS

- A. GLASS TOP 1 PC
- B. TABLE TOP 1 PC
- C. SHELF 1 PC
- D. BOTTOM SHELF 1PC
- E. E LEGS 2PCS
- F. F LEGS 2PCS



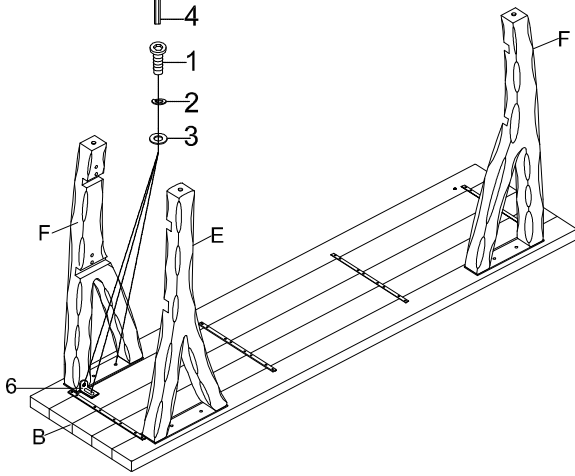
### HARDWARE ENCLOSED IN CARTON

No	Description	Photo	Quantity
1	ALLEN BOLT (1/4" x 5/8")		48 PCS
2	LOCK WASHER (1/4")		48 PCS
3	FLAT WASHER (1/4")		48 PCS
4	ALLEN KEY		1 PC
5	L BRACKET (55x55x25x3)		8 PCS
6	L BRACKET (40x21x18x2)		4 PCS
7	RUBBER PAD		6 PCS

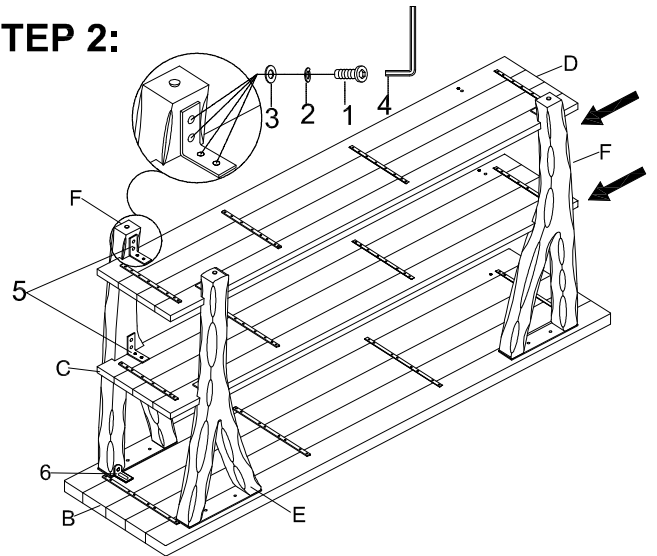


FULLY ASSEMBLED

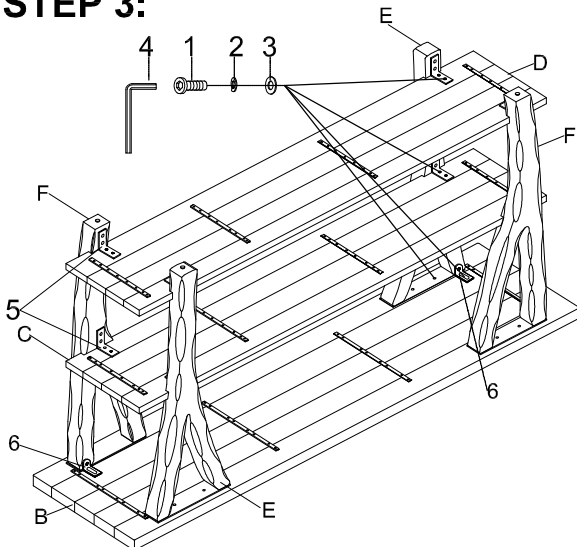
### STEP 1:



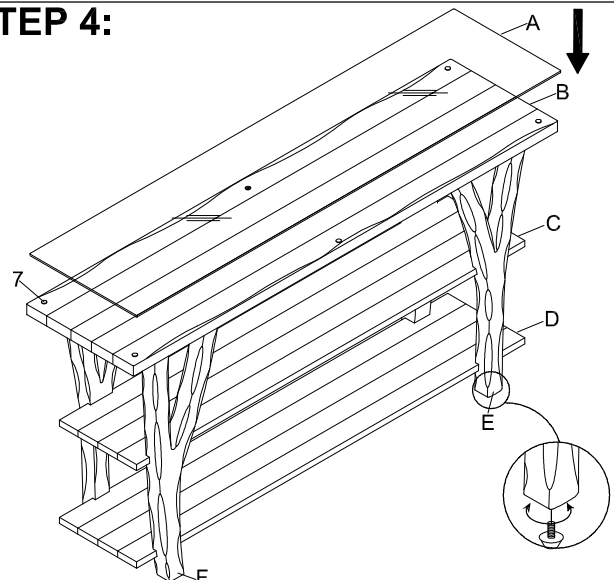
### STEP 2:



### STEP 3:



### STEP 4:



IF TABLE IS NOT LEVEL ON YOUR FLOOR, PLEASE ADJUST LEVELERS ON UNDERSIDE OF LEGS (E/F).