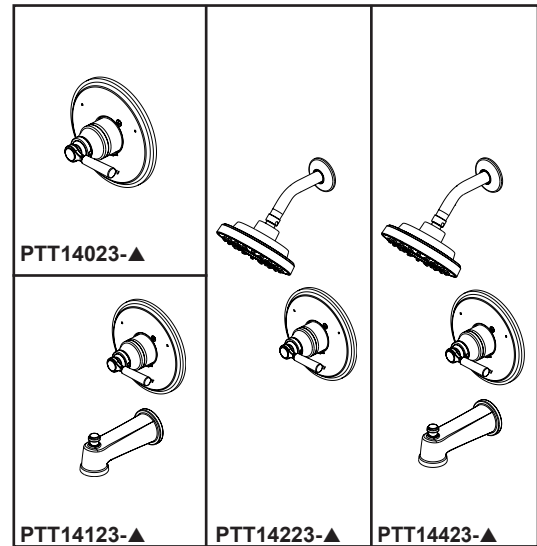
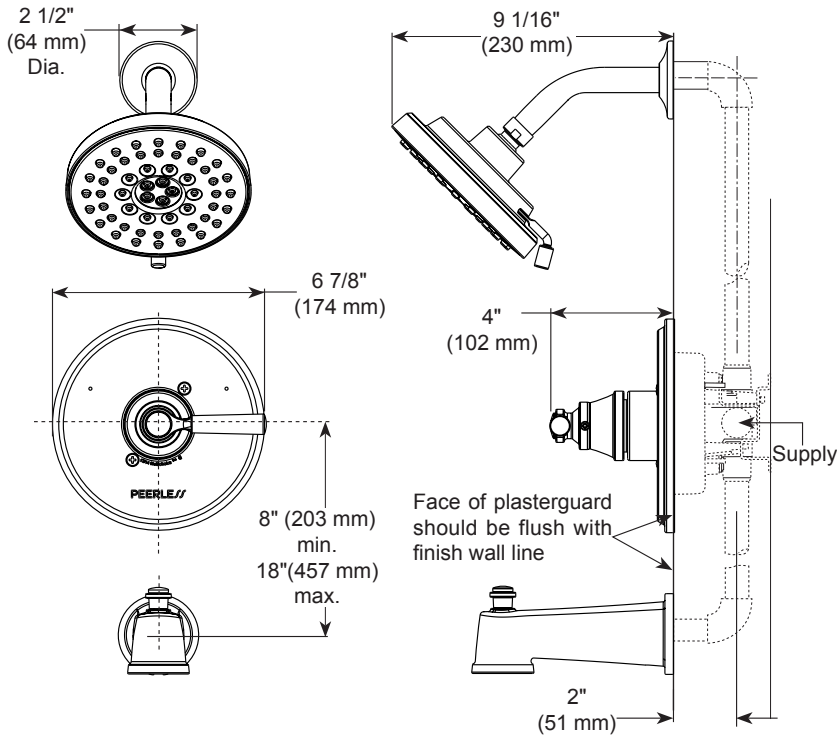


PEERLESS®

PTT14023-▲
 PTT14123-▲
 PTT14223-▲
 PTT14423-▲



TUB AND SHOWER FAUCET TRIM

- Westchester® Collection
- Valve Only (PTT14023-▲)
- Tub Only (PTT14123-▲)
- Shower Only (PTT14223-▲)
- Tub/Shower (PTT14423-▲)

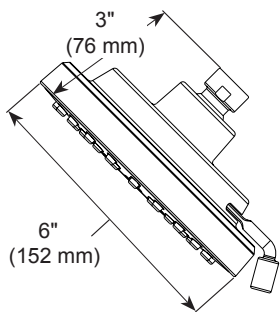
STANDARD SPECIFICATIONS:

- Shower head max flow rate 1.5 gpm @ 80 psi, 5.7 L/min @ 550 kPa.
- Maintains a balanced pressure of hot and cold water even when a valve is turned on or off elsewhere in the system.
- For use with MultiChoice® Universal rough valve body (R10000 Series); not included.
- Back-to-back installation capability.
- Red/blue markings on escutcheon for hot/cold identification.
- Temperature only controlled with handle rotating a maximum of 120° from full cold to the full hot.
- Cartridge utilizes integral check valve to prevent the cross flow of water within the valve.
- Easy-turn 3-spray setting shower head.
- Spray settings include: full body spray, massaging spray & pause.
- Slip-on tub spout.

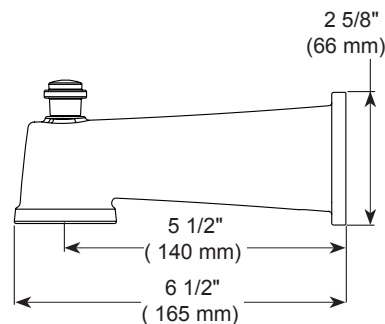
WARRANTY

- Parts and Finish – Lifetime limited warranty; or for commercial purchasers, 10 years for multi-family residential (apartments and condominiums) and 5 years for all other commercial uses, in each case from the date that the product is received by the original purchaser or their authorized representative (installation contractor, etc.).
- Please go to www.peerlessfaucet.com for the complete details of our limited warranty.

RP100289▲-1.5 (1.5 GPM)
 RP100289▲ (1.75 GPM)



RP100288▲



COMPLIES WITH:

- ASME A112.18.1 / CSA B125.1
- ASSE 1016 / ASME A112.1016 / CSA B125.16
- EPA WaterSense® - Applies to PTT14223-▲ & PTT14423-▲ only
- ♿ ICC/ANSI A117.1 – Valve control only

▲ Designate proper finish suffix

PSP-B-PTT14023 Rev. D