



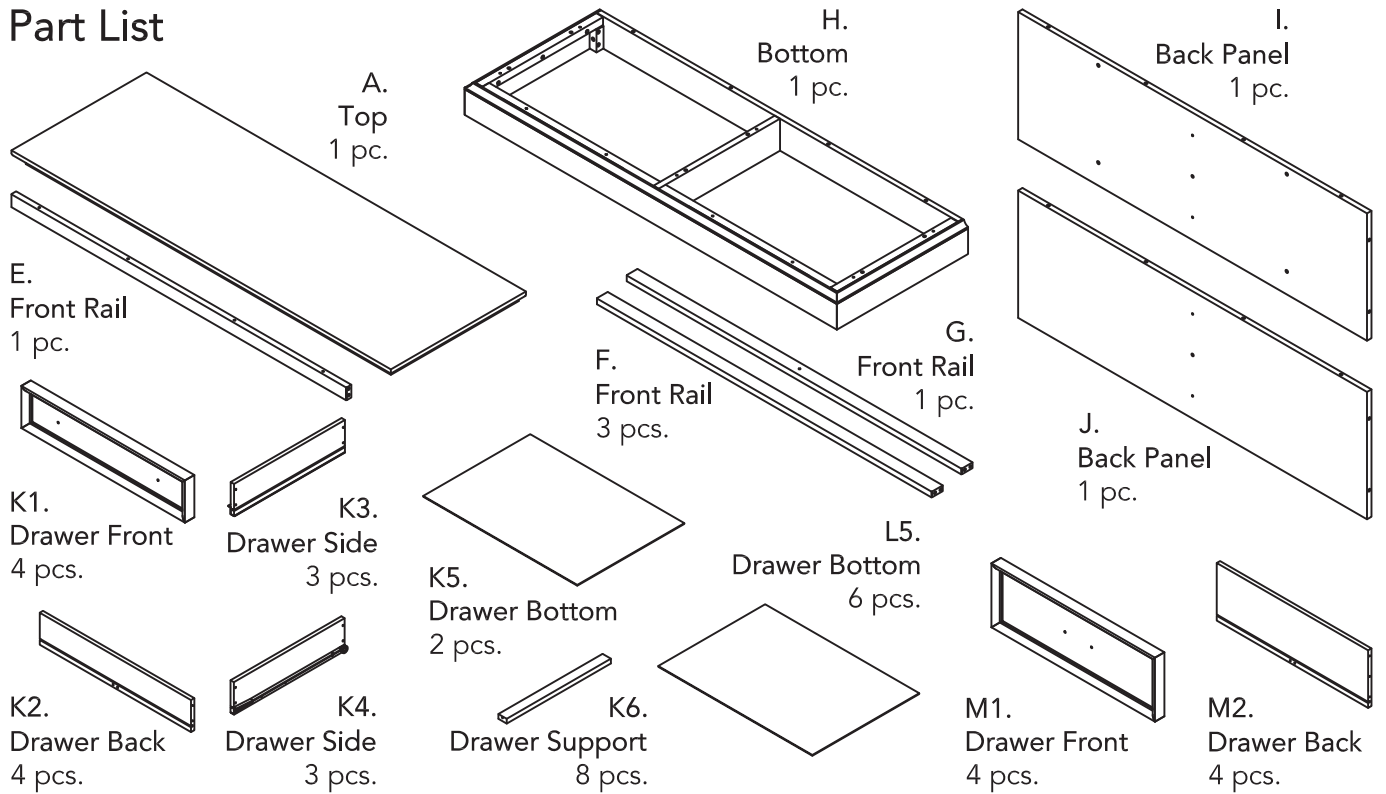
IMPORTANT

Carefully remove all the parts from the carton and place them individually on a soft cloth to prevent scratches or other damage.

Carefully and strictly follow these assembly instructions to ensure a completed product as designed.

Do not use power tools above 8 volts to assemble.

Part List



Hardware List



Cam Lock Screw
42 pcs. (+4 extra)



Cam Lock
42 pcs. (+4 extra)



M4x45
1 3/4" Round Head Screw
4 pcs. (+1 extra)



M4x32
1 1/4" Round Head Screw
13 pcs. (+1 extra)



M3x32
1 1/4" Flat Head Screw
104 pcs. (+1 extra)



M3x19
3/4" Flat Head Screw
56 pcs. (+1 extra)



M4x22
Machine Screw
16 pcs.



Knob
8 pcs.



Handle
4 pcs.



Dowel
11 pcs. (+1 extra)

Carton 5523-432 is also needed for assembly.

Tool(s) required for assembly: Phillips screwdriver, Level, Pencil, Drill (8 volts or less), 3/8" Drill Bit

homestyles Customer Service: www.homestylesfurniture.com,
servicedesk@homestylesfurniture.com, 888-680-7460

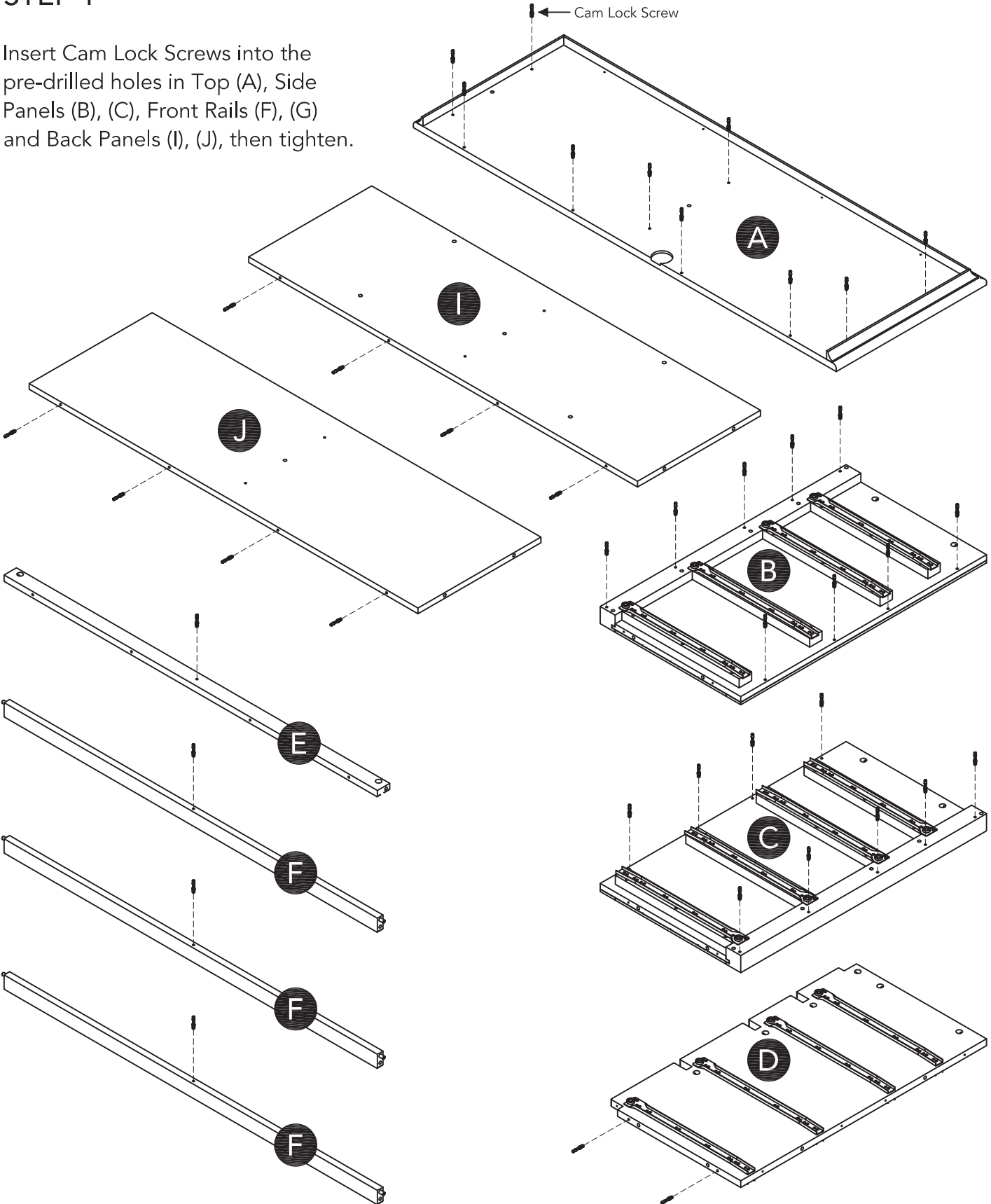
Assembly Instructions 2/12

IMPORTANT

- Use a soft cloth between these parts and the floor.
- Do not use power tools above 8 volts to assemble.
- Do not tighten all the screws until each part is properly assembled.
- The unit must be level to work properly. Use the included adjustable levelers to level.

STEP 1

Insert Cam Lock Screws into the pre-drilled holes in Top (A), Side Panels (B), (C), Front Rails (F), (G) and Back Panels (I), (J), then tighten.



Assembly Instructions 3/12

STEP 2

Assemble Back Panels (I) and (J) with Cam Locks.
(See Figure 1)

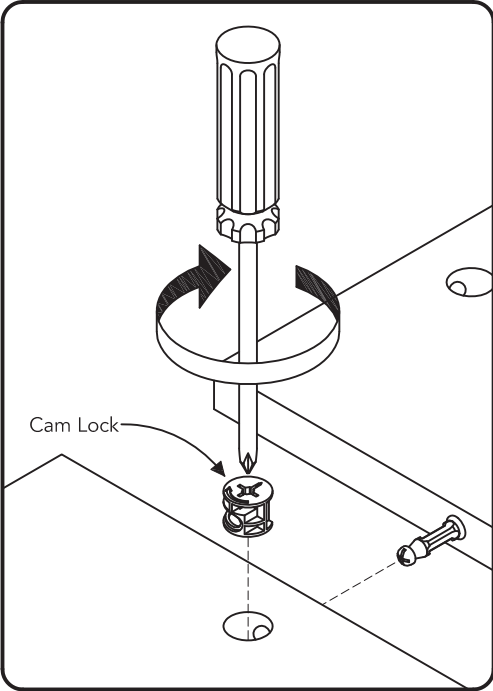
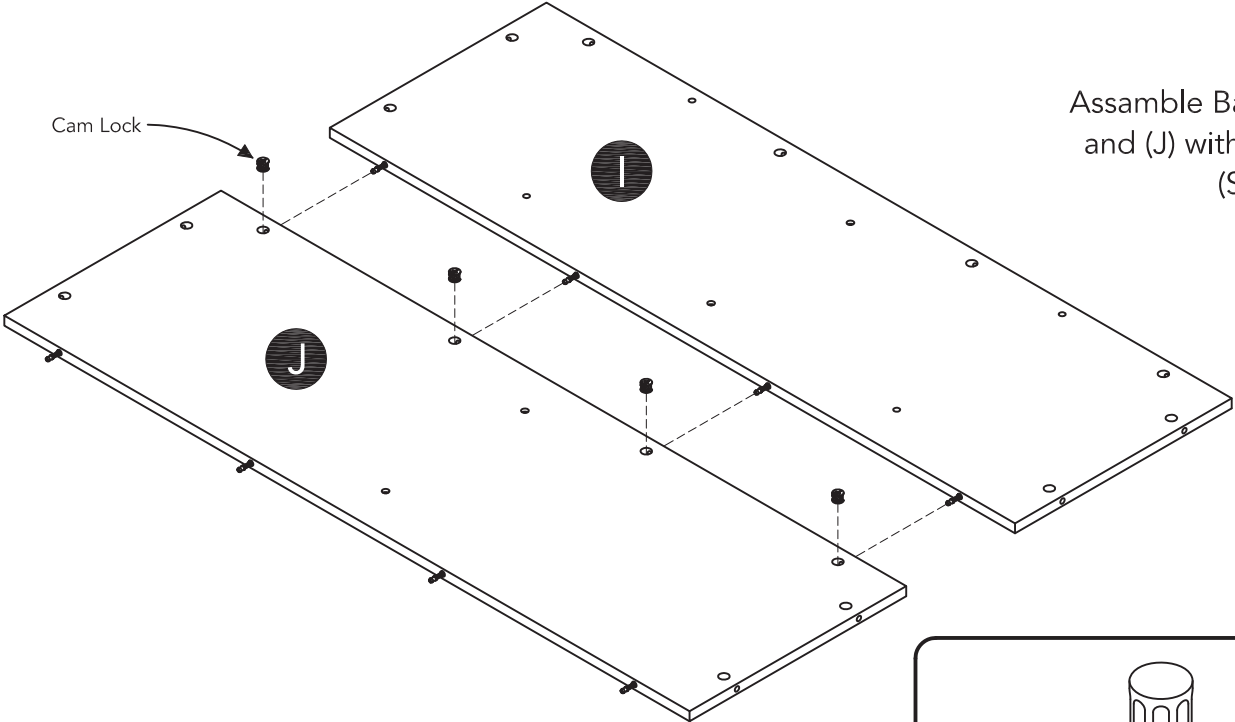
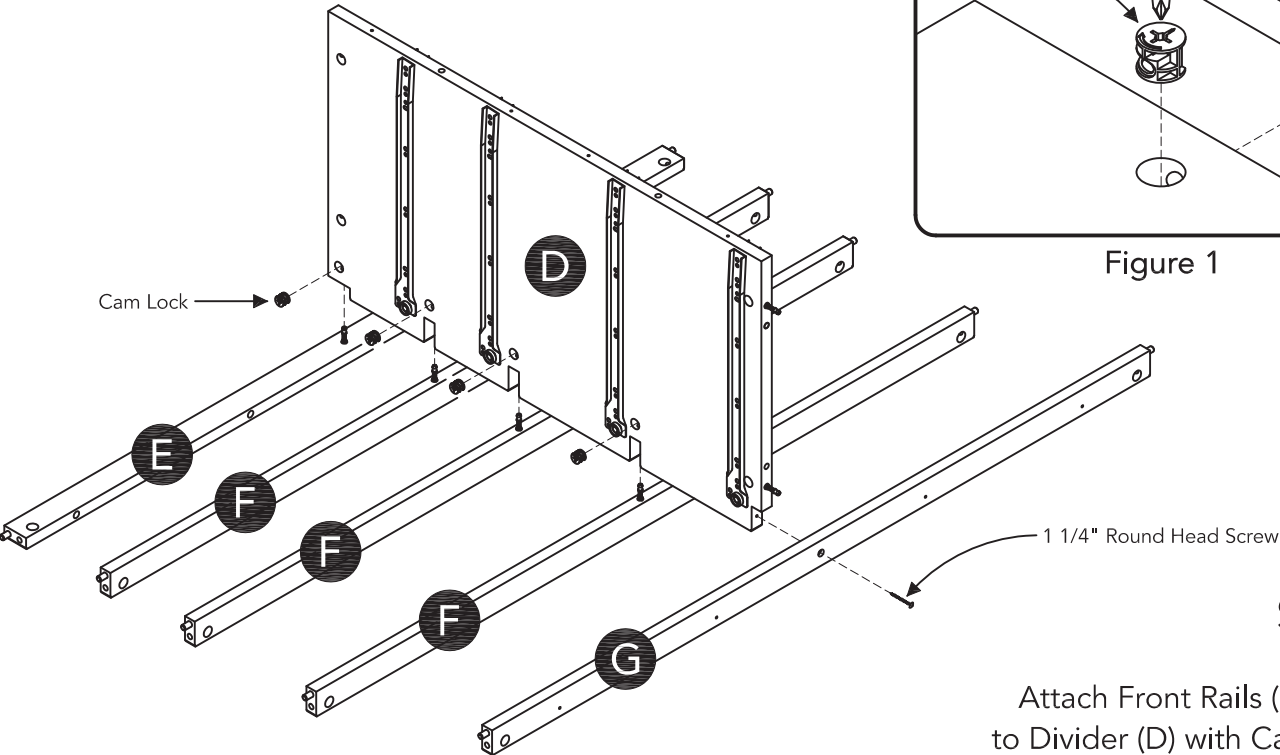


Figure 1



STEP 3

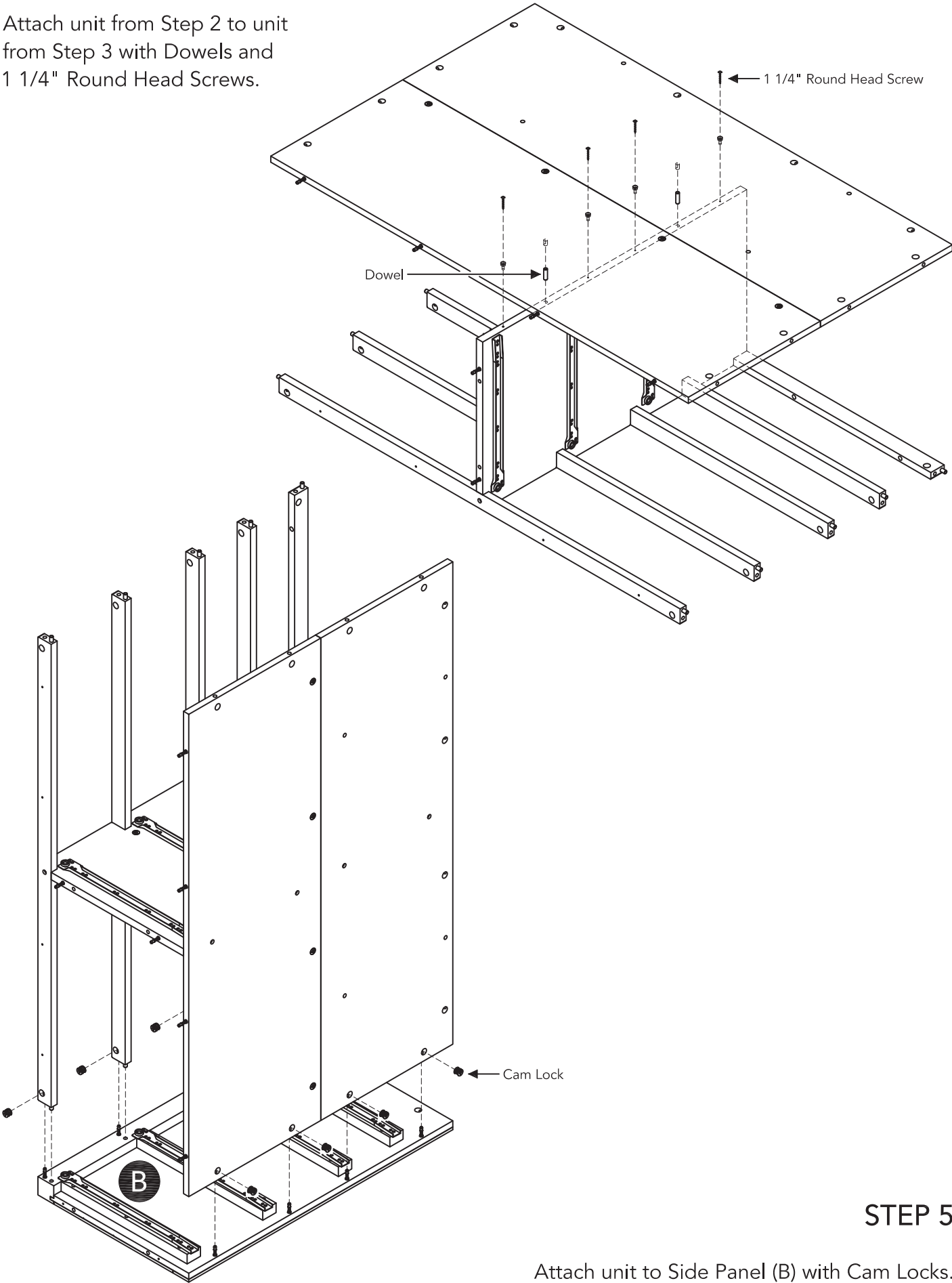
Attach Front Rails (E) and (F) to Divider (D) with Cam Locks.

Attach Front Rail (G) to Divider (D) with
1 1/4" Round Head Screw.

Assembly Instructions 4/12

STEP 4

Attach unit from Step 2 to unit from Step 3 with Dowels and 1 1/4" Round Head Screws.

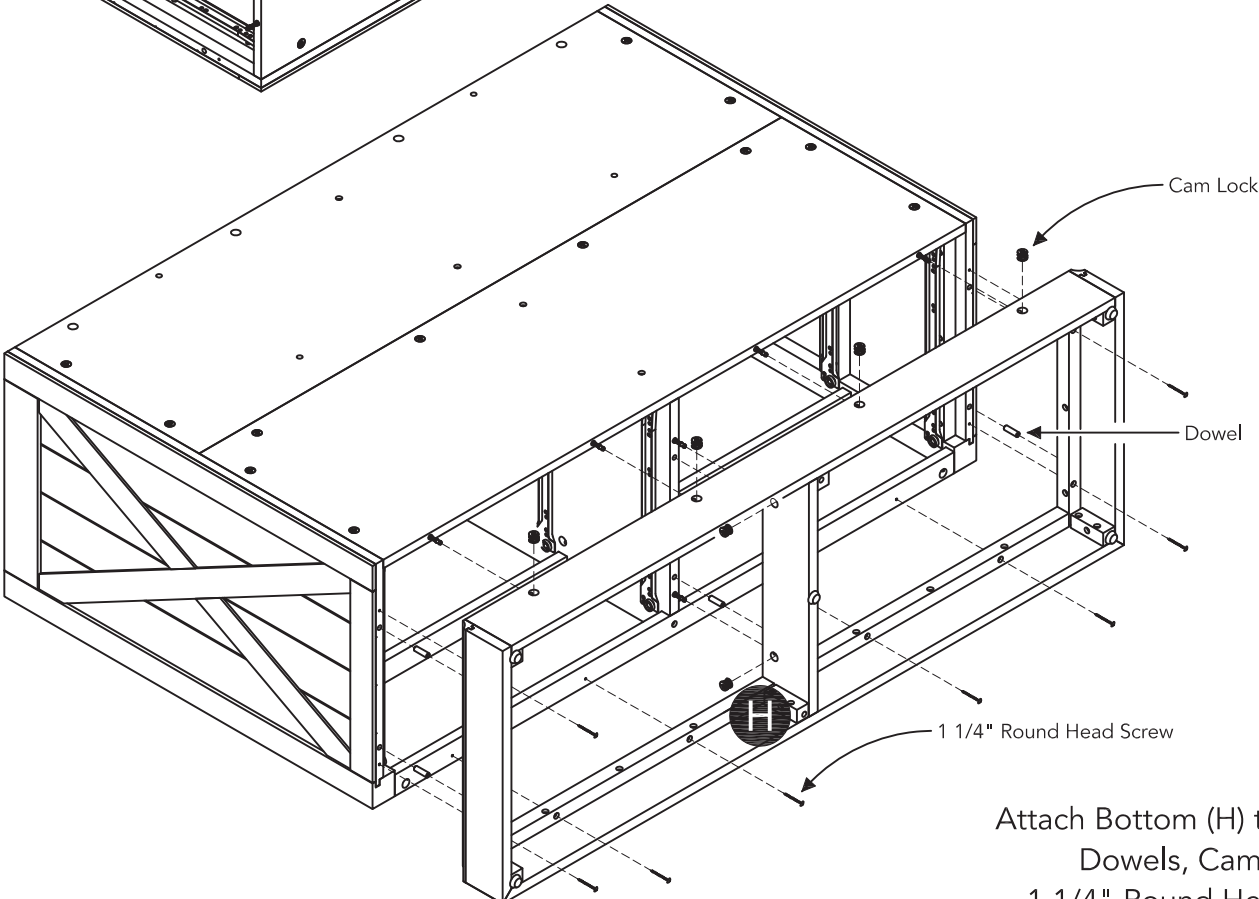
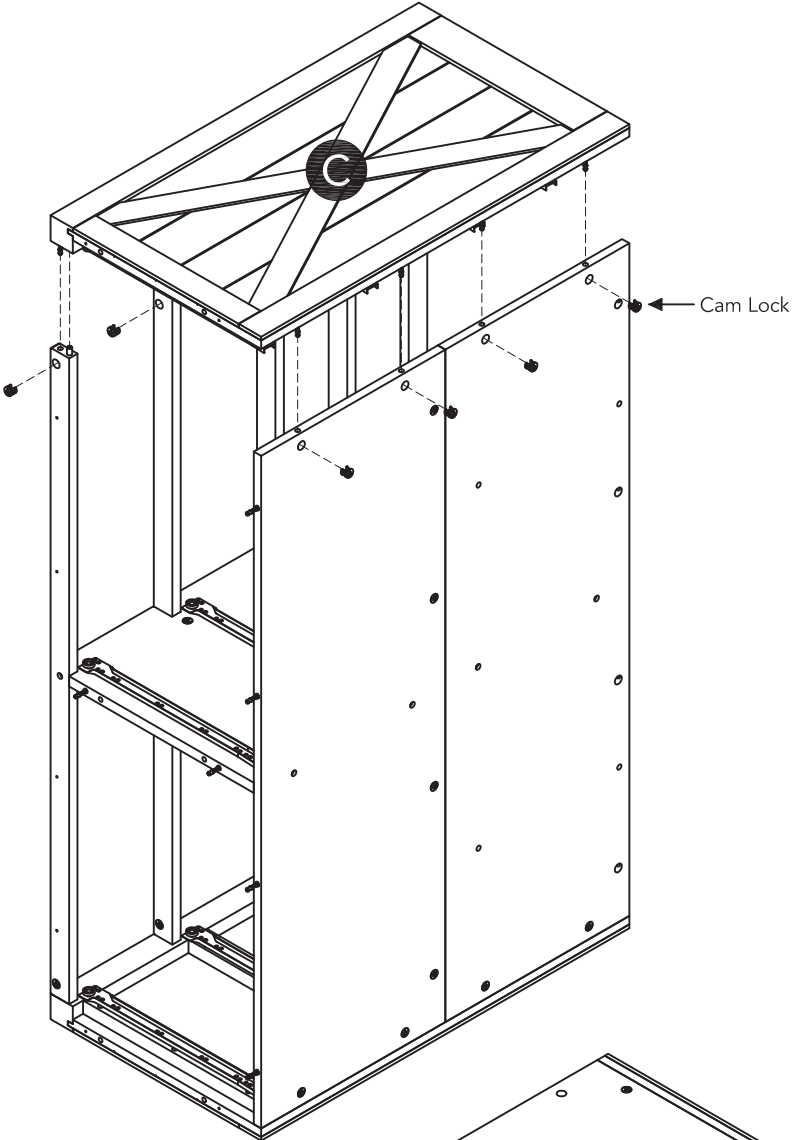


STEP 5

Attach unit to Side Panel (B) with Cam Locks.

STEP 6

Attach Side Panel (C) to unit with Cam Locks.



STEP 7

Attach Bottom (H) to unit with Dowels, Cam Locks and 1 1/4" Round Head Screws.

Assembly Instructions 6/12

STEP 8

Attach Top (A) to unit with Dowels, Cam Locks and 1 3/4" Round Head Screws.

Note: A Philips screwdriver 5" or less in length is recommended.

Level unit by adjusting the adjustable levelers on bottom of unit.
(See Figure 2)

Note: Unit must be level to work properly.

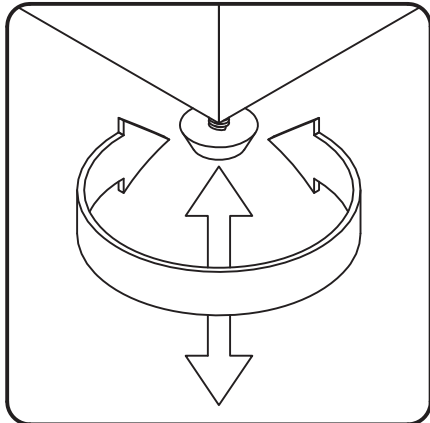
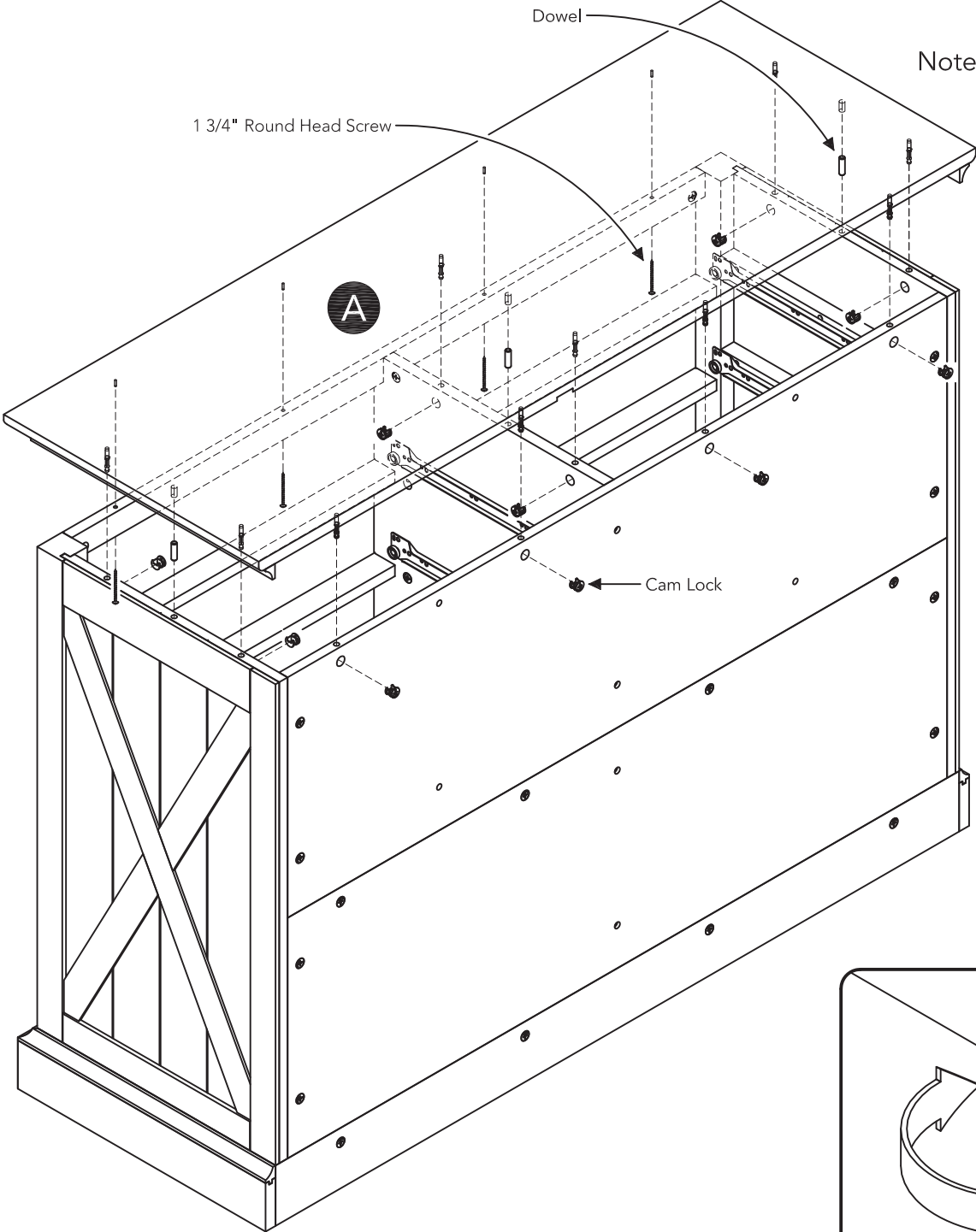


Figure 2

Assembly Instructions 7/12

IMPORTANT

- To help reduce the risk of the unit tipping over, the Tipover Restraint must be installed following these instructions exactly.

STEP 9

Place unit at desired location.

Mark wall with pencil just above and in-line with hole in Top (A). (See Figure 3)

Move unit.

Drill a 3/8" hole in wall 1 1/2" below mark.

Insert Anchor into wall hole and attach Tipover Restraint to Anchor with 1 1/2" Round Head Screw and Flat Washer. (See Figure 4)

Move unit back into place and insert Tipover Restraint into unit through hole in Top (A). (See Figure 5)

Attach Tipover Restraint to unit with 1/2" Round Head Screw and Flat Washer. (See Figure 6)

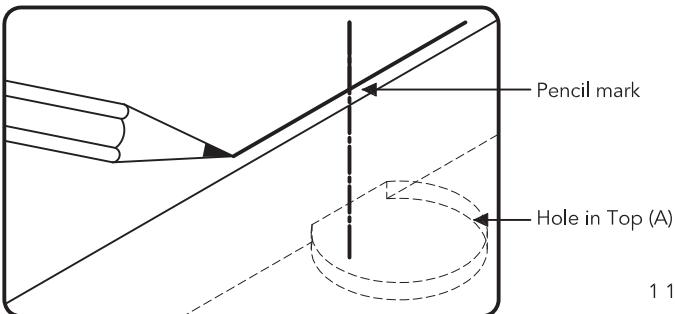
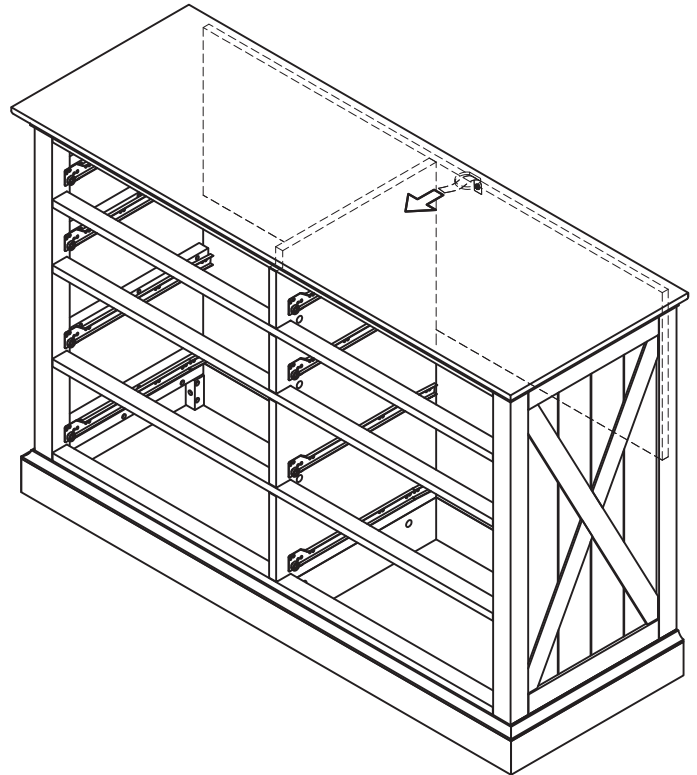


Figure 3

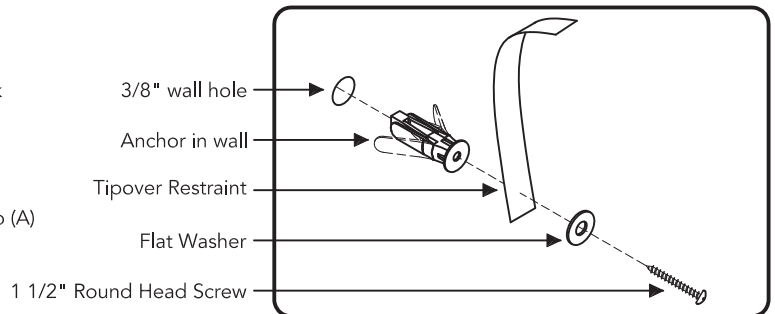


Figure 4

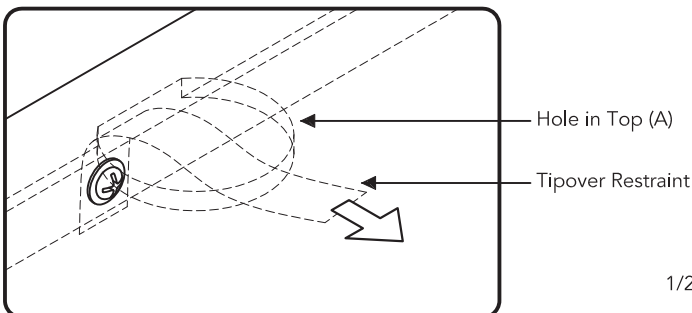


Figure 5

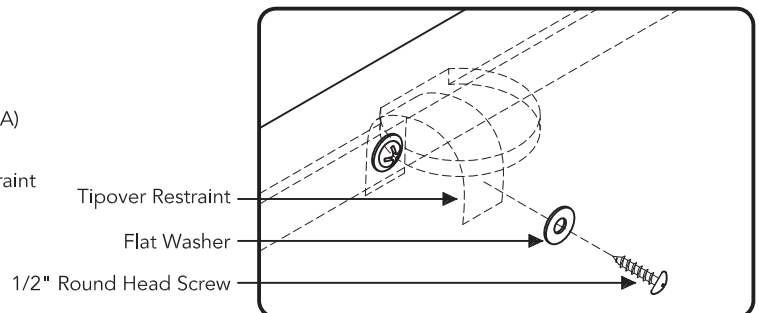
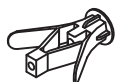


Figure 6

Hardware List



Tipover Restraint
1 pc.



Anchor
1 pc. (+1 extra)



(M3x38)
1 1/2" Round Head Screw
1 pc. (+1 extra)

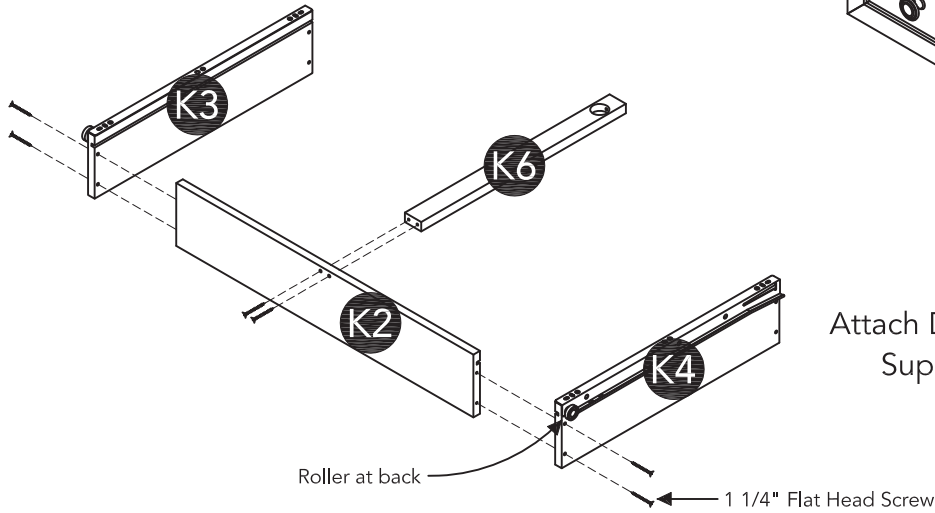


(M3x13)
1/2" Round Head Screw
1 pc. (+1 extra)



Flat Washer
2 pcs. (+1 extra)

Drawer (K)



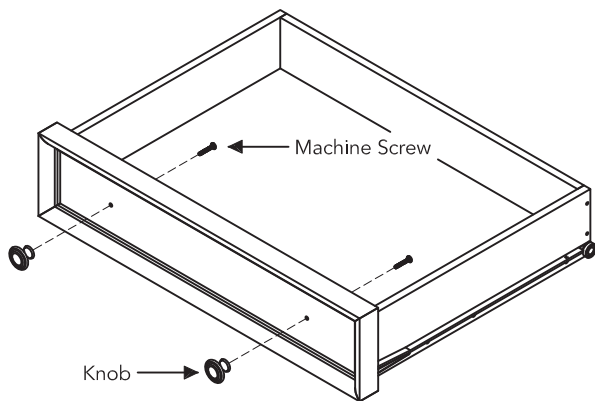
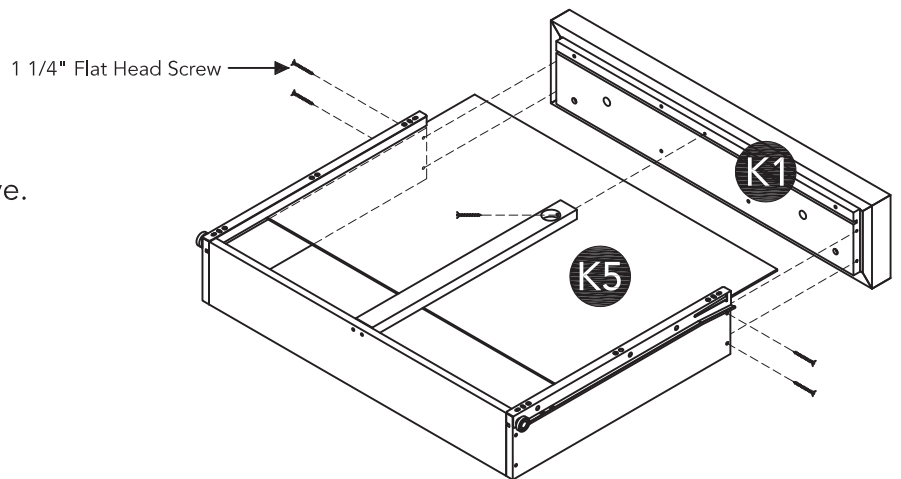
STEP 10

Attach Drawer Sides (K3), (K4) and Drawer Supports (K6) to Drawer Back (K2) with 1 1/4" Flat Head Screws.

STEP 11

Insert Drawer Bottom (K5) into groove.

Attach Drawer Front (K1) to unit with 1 1/4" Flat Head Screws.

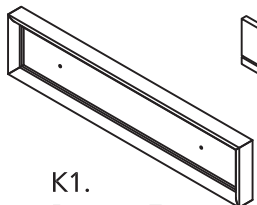


STEP 12

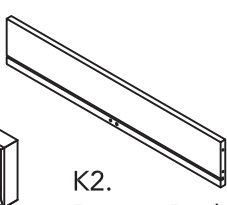
Attach Knobs with Machine Screws.

Note: Drawer assembly is not complete until 3/4" Flat Head Screws are used in a later step.

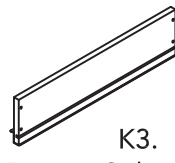
Part List



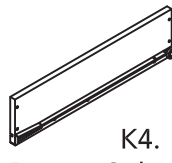
K1.
Drawer Front
2 pcs.



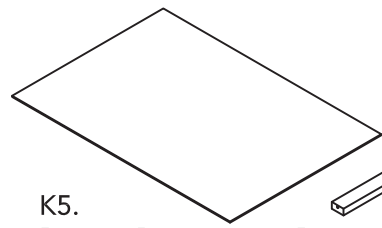
K2.
Drawer Back
2 pcs.



K3.
Drawer Side
2 pcs.



K4.
Drawer Side
2 pcs.



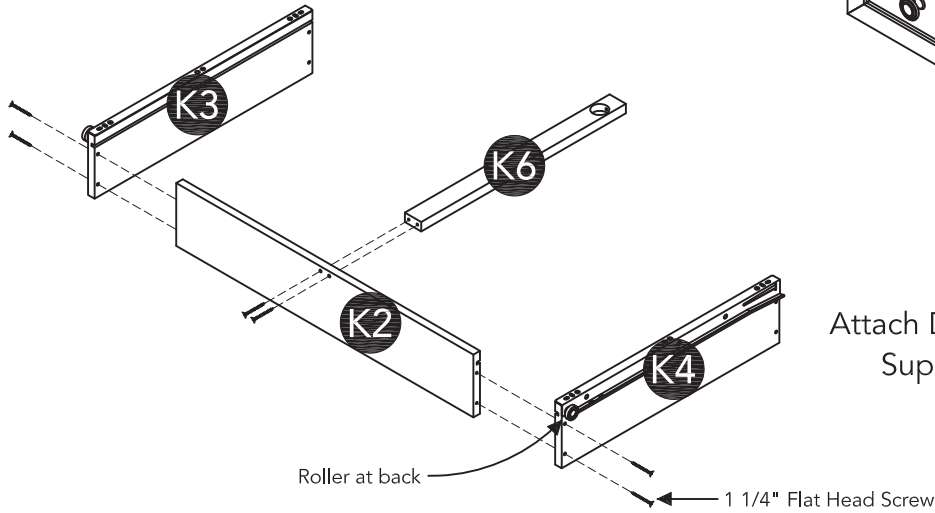
K5.
Drawer Bottom
2 pcs.



K6.
Drawer Support
2 pcs.

Assembly Instructions 9/12

Drawer (L)



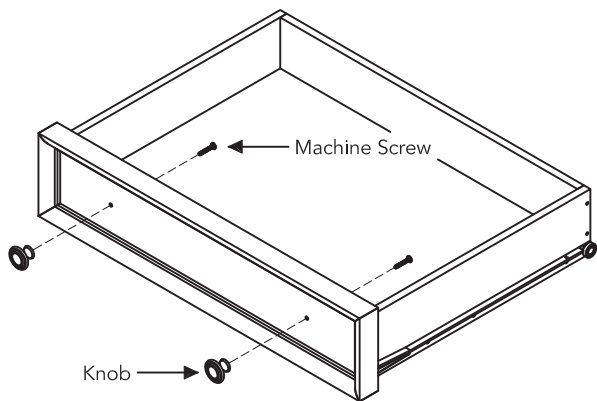
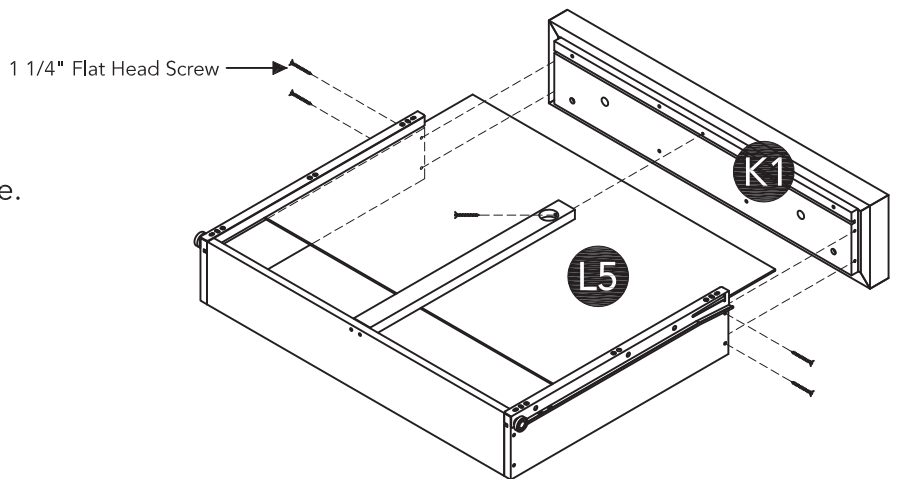
STEP 13

Attach Drawer Sides (K3), (K4) and Drawer Supports (K6) to Drawer Back (K2) with 1 1/4" Flat Head Screws.

STEP 14

Insert Drawer Bottom (L5) into groove.

Attach Drawer Front (K1) to unit with 1 1/4" Flat Head Screws.

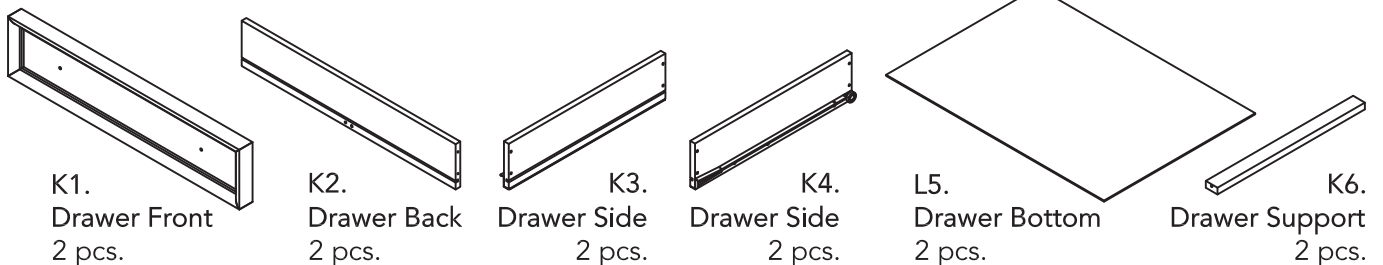


STEP 15

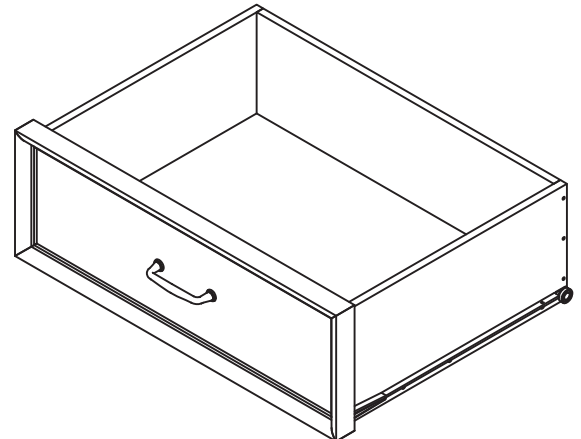
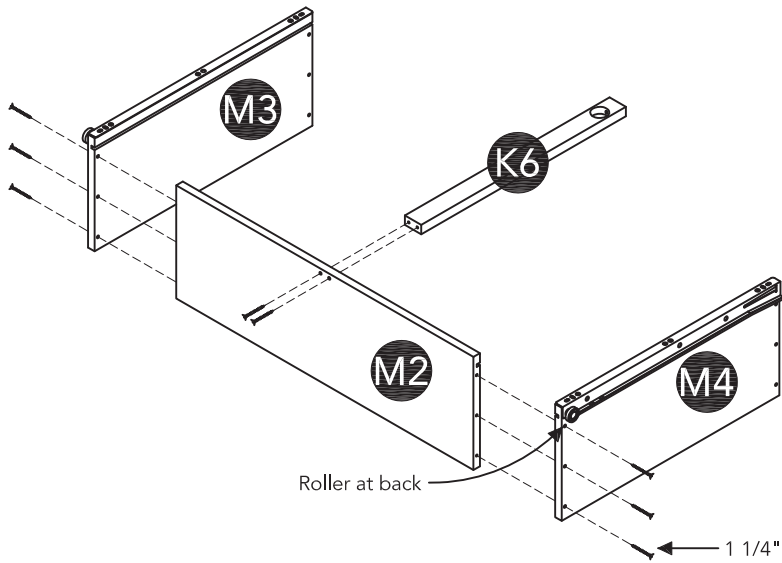
Attach Knobs with Machine Screws.

Note: Drawer assembly is not complete until 3/4" Flat Head Screws are used in a later step.

Part List



Drawer (M)



STEP 16

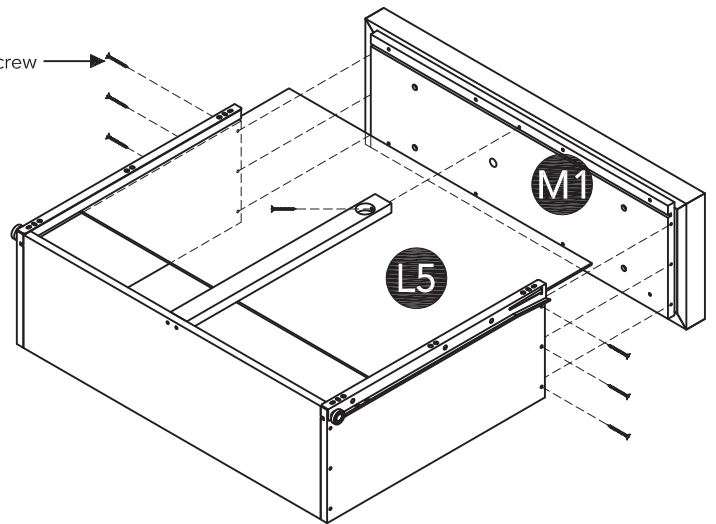
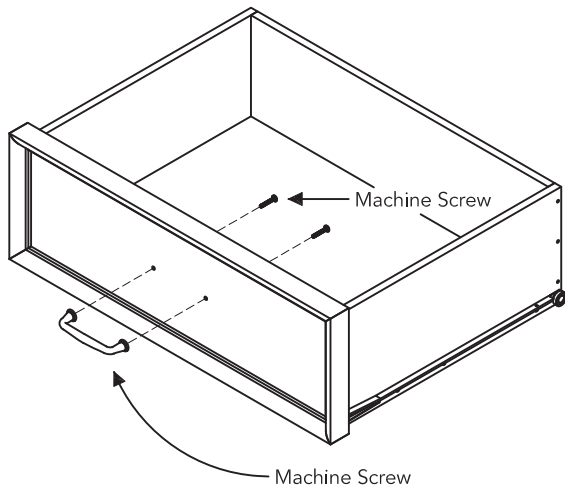
Attach Drawer Sides (M3), (M4) and Drawer Supports (K6) to Drawer Back (M2) with 1 1/4" Flat Head Screws.

STEP 17

Insert Drawer Bottom (L5) into groove.

Attach Drawer Front (M1) to unit with 1 1/4" Flat Head Screws.

1 1/4" Flat Head Screw

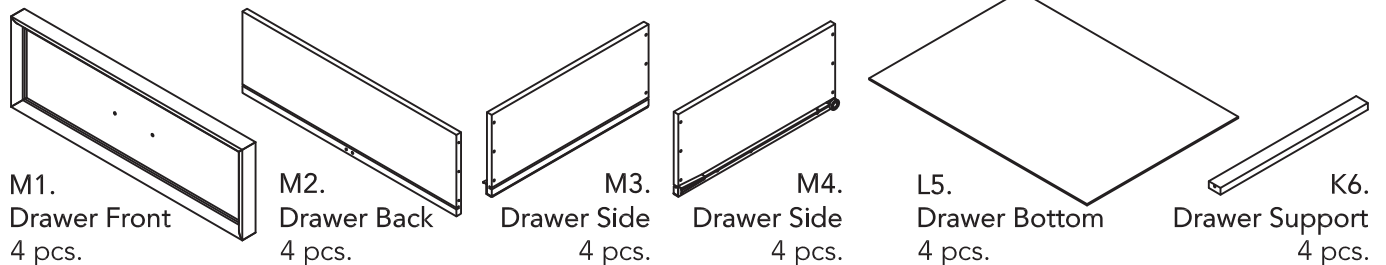


STEP 18

Attach Handle with Machine Screws.

Note: Drawer assembly is not complete until 3/4" Flat Head Screws are used in a later step.

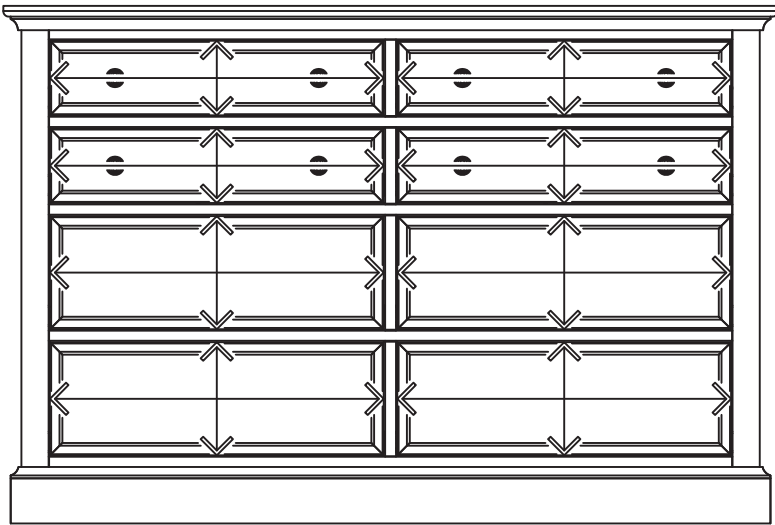
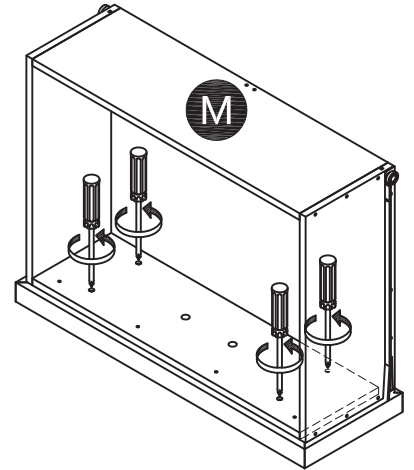
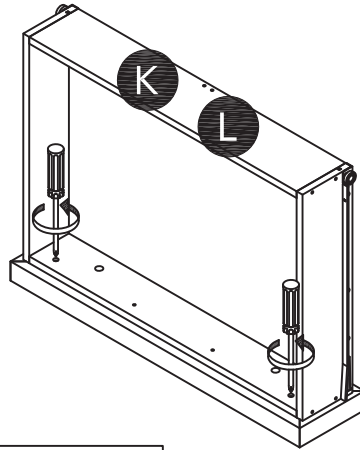
Part List



Assembly Instructions 11/12

STEP 19

Loosen slightly screws pre-installed on back of drawer fronts.



STEP 20

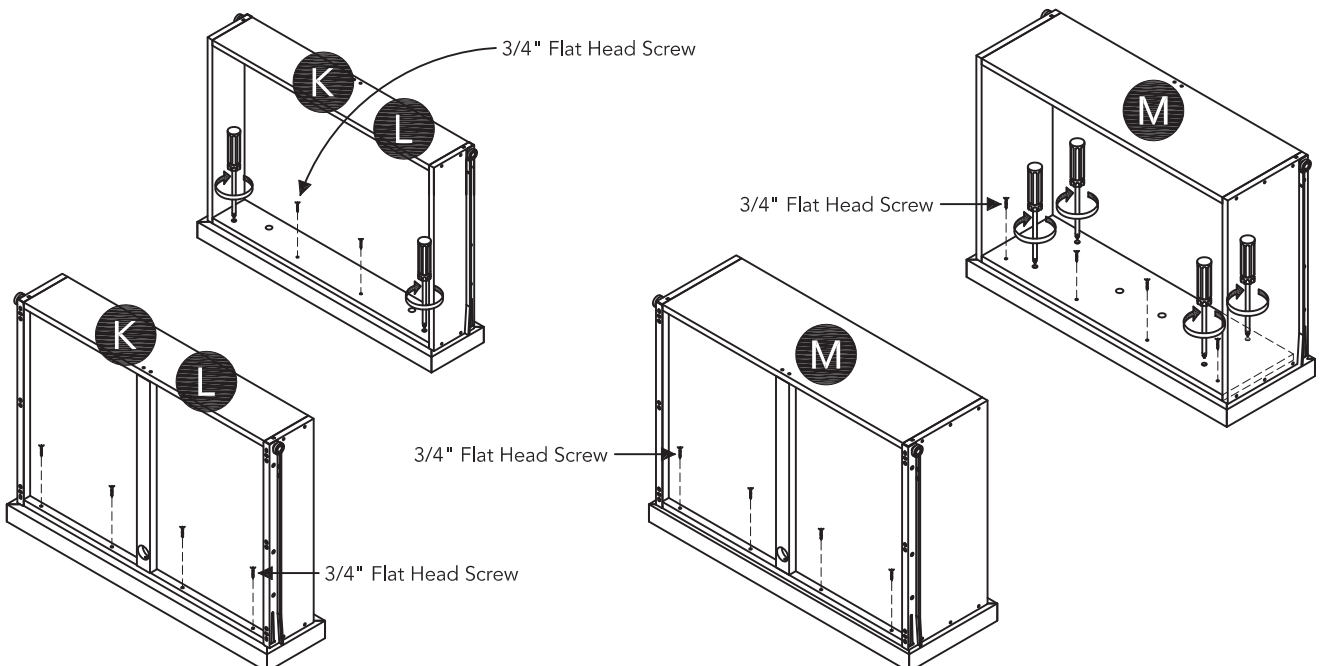
Insert drawers into unit, then adjust drawer front panels left or right and up or down until drawer gaps look proportional.

STEP 21

Pull each drawer open slowly and re-tighten screws from Step 19.

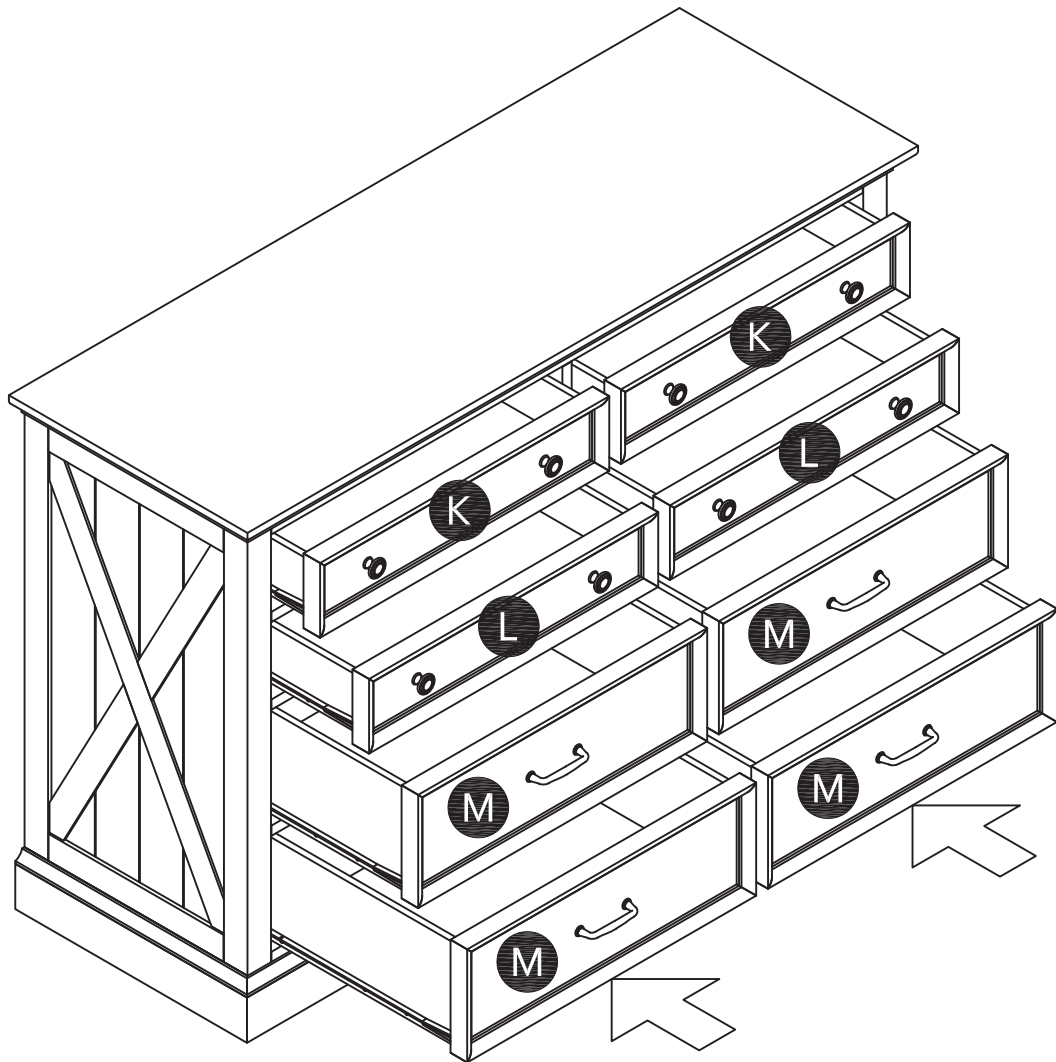
Make sure drawer front panels do not move and lock drawer front panels into position with 3/4" Flat Head Screws.

Note: These 3/4" Flat Head Screws must be installed to complete the drawer assembly.



STEP 22

Slide Drawers (K), (L) and (M) into position.



CARE INSTRUCTIONS

NEVER

allow liquids to remain on furniture.
Absorption causes parts to warp
and split and finishes to delaminate.

NEVER

use glass cleaners on
finished furniture. Ammonia
chemically attacks the finish.



Do not use power tools
above 8 volts to assemble.

**PREVENT
CRACKING**



Do not place
in direct sunlight.

**PREVENT
FADING**



Do not write
directly on surface.

**PREVENT
MARKING**



Do not place hot
objects on surface.

**PREVENT
FINISH DAMAGE**



Do not use rubber
based placemats.

**PREVENT
DISCOLORING**



Do not use commercial
waxes and polishes.

**PREVENT
YELLOWING**

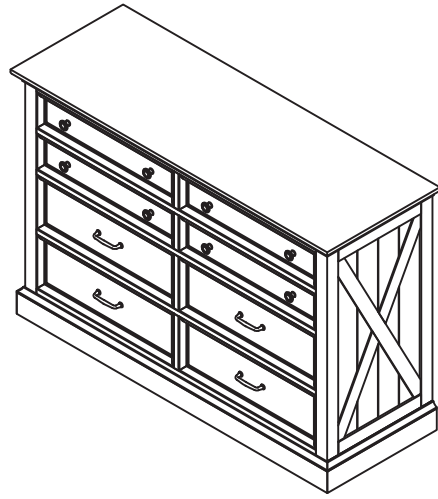
CLEAN

with a soft cloth moistened
in lukewarm soap and water.
Buff with a dry clean cloth.



homestyles will provide replacements free of charge for missing or damaged parts within 30 days of purchase. Digital images of the defective parts may be required. If the product was not purchased from an authorized retailer, **homestyles** is under no obligation to provide replacement parts. Parts are not available for fully assembled items nor are parts available for sale. Replacements for missing or damaged parts may be requested via contact info below.

homestyles Customer Service: www.homestylesfurniture.com,
servicedesk@homestylesfurniture.com, 888-680-7460



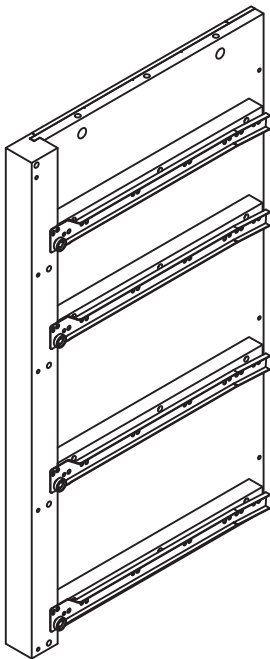
IMPORTANT

Carefully remove all the parts from the carton and place them individually on a soft cloth to prevent scratches or other damage.

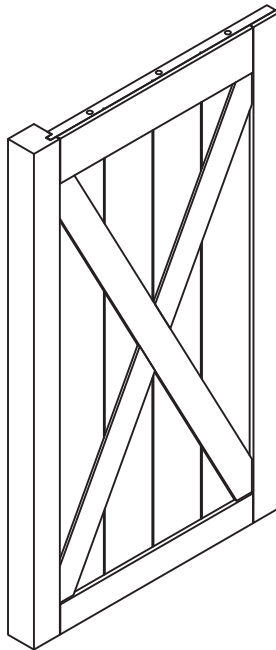
Carefully and strictly follow these assembly instructions to ensure a completed product as designed.

Do not use power tools above 8 volts to assemble.

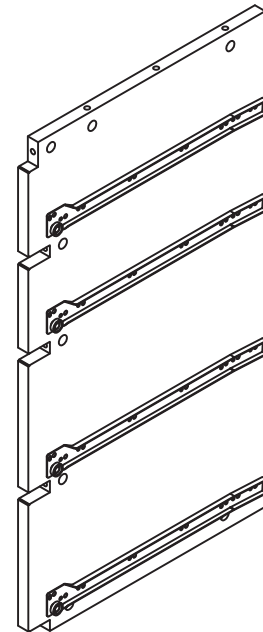
Part List



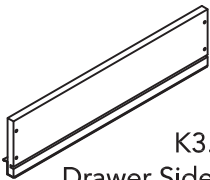
B.
Side Panel
1 pc.



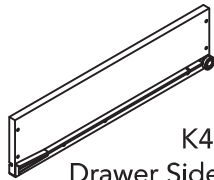
C.
Side Panel
1 pc.



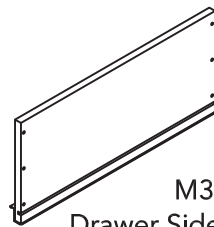
D.
Divider
1 pc.



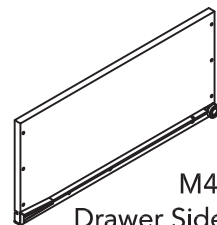
K3.
Drawer Side
1 pc.



K4.
Drawer Side
1 pc.



M3.
Drawer Side
4 pcs.



M4.
Drawer Side
4 pcs.

For assembly see instructions in carton 5523-431.