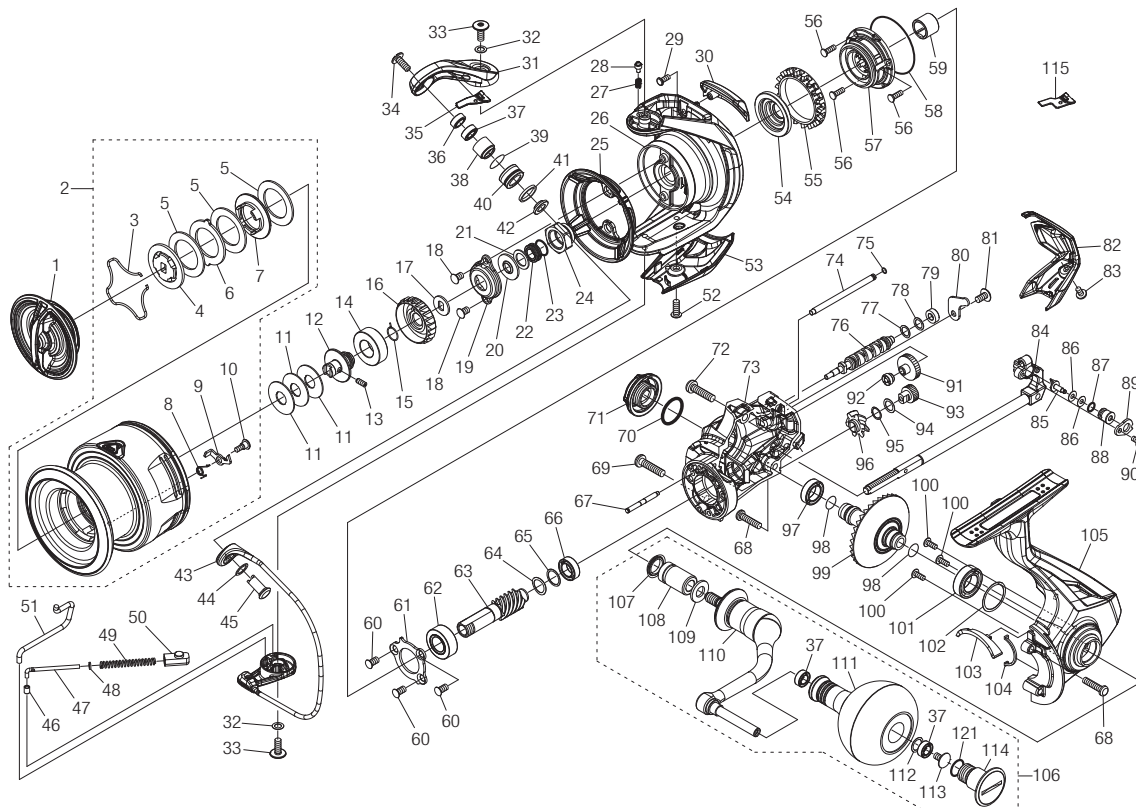


SHIMANO

VANFORD

VFC5000XGA



(51SF82KH49X) Please note that the number of adjusting washers may not be the same as shown in the exploded views.
(Adjustment will vary with each individual product.)

#	Part No.	Description	#	Part No.	Description	#	Part No.	Description
1	14626	Drag Knob Assembly	43	148KY	Bail Assembly	85	106VJ	Oscillating Pawl
2	148LE	Spool Assembly	44	1018Z	Washer	86	10703	Washer
3	10B8N	Retainer	45	10TPC	Line Roller Support	87	100WX	O Ring
4	10K3C	Key Washer B	46	1009B	Bail Spring Guide A Bushing	88	1010C	Oscillating Slider Bushing
5	142M9	Drag Washer A	47	10SAN	Bail Spring Guide A	89	1010D	Oscillating Pawl Cover
6	1427B	Eared Washer	48	101D9	Spring Guide A Support Collar	90	10LCT	Screw
7	10B9D	Key Washer	49	10DMC	Bail Spring	91	10074	Idle Gear
8	10BQF	Drag Click Spring	50	107AB	Bail Spring Guide B	92	13YXN	Bushing
9	102H5	Drag Click	51	147C4	Bail Trip Lever	93	13YXK	Idle Gear (Small)
10	10TRB	Screw	52	101CC	Screw	94	10G6D	Washer
11	10B5L	Spool Washer	53	14750	Bail Hold Support Guard	95	10TBA	Washer
12	13YXH	Spool Bearing Bushing	54	101D5	Rotor Ring	96	1066V	Idle Gear (Large)
13	10PN3	Set Screw	55	10QXQ	Friction Ring	97	107FA	Bail Bearing
14	10J3G	Bushing	56	100WT	Screw	98	1009S	O Ring
15	107V2	Ratchet Spring	57	10S2L	Roller Clutch Assembly	99	1429H	Drive Gear
16	107PS	Drag Click Ratchet	58	1009Z	O Ring	100	100UL	Screw
17	103NY	Spool Support	59	1009Y	Roller Clutch Inner	101	107FB	Bail Bearing
18	103GW	Screw	60	100WY	Screw	102	100W9	Washer
19	1076N	Nut Lock Plate	61	10DWD	Bearing Retainer	103	14282	Bail Trip Strike
20	10DY6	Bearing Water Proof	62	10E7A	Bail Bearing	104	1009W	Flange Water Proof
21	100RU	Washer	63	1429G	Pinion Gear	105	148LD	Side Cover Assembly
22	13YXF	Main Shaft Collar	64	10E37	Washer	106	148LF	Handle Assembly
23	10DXE	O Ring	65	10G9D	Washer	107	10PXY	Handle Shaft Seal
24	13YXE	Rotor Nut	66	104JT	Bail Bearing	108	10DYA	Handle Shaft Cover B
25	147BJ	Rotor Brim	67	13YXL	Idle Gear Shaft	109	100RR	Handle Washer
26	148KX	Rotor Assembly	68	10LZ4	Screw	110	148L7	Handle Shank Assembly
27	10HE7	Click Spring	69	10DWX	Screw	111	100BF	Handle Knob Assembly
28	106ZC	Click Pin	70	108WH	O Ring	112	104FH	Washer
29	10RNG	Screw	71	1427T	Handle Screw Cap	113	10LFA	Screw
30	147BG	Counter Weight Cover	72	13JWW	Screw	114	147BP	Handle Knob Seal
31	1468B	Bail Arm	73	1467P	Body	121	10LAA	O Ring
32	10K96	Washer	74	13YXQ	Oscillating Guide			
33	10TLM	Screw	75	100BH	O Ring			
34	10TLJ	Screw	76	13YXM	Worm Shaft			
35	13YXC	Bail Arm Fin	77	10ECK	Washer			
36	10E44	Collar	78	10K98	Washer			
37	104VX	Ball Bearing	79	1009C	Bushing			
38	1009K	Bushing	80	13YXP	Worm Shaft Retainer			
39	1009E	O Ring	81	10QG5	Screw			
40	1009A	Line Roller	82	146BA	Rear Protector			
41	10RFZ	Spacer	83	10RX2	Screw			
42	10TJM	Bearing Spacer	84	148KZ	Main Shaft Assembly	115	13YXU	Bail Arm Fin (accessory)