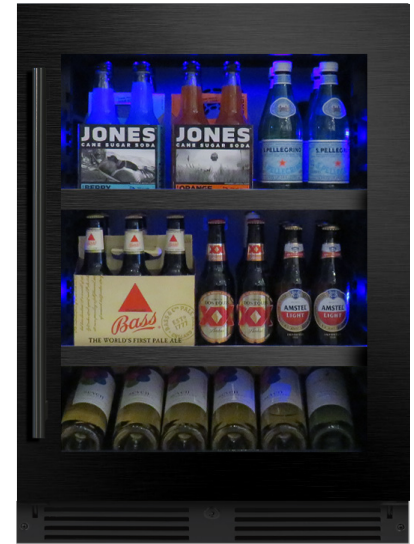




**XOU24BCGBS**

24" BLACK STAINLESS STEEL BEVERAGE CENTER

## 24" BLACK STAINLESS STEEL BEVERAGE CENTER



**XOU24BCGBS**

- Shelves Extend Fully While Loaded
- Secure Door Lock
- Tri-Color LED Interior Lighting
- Shelves Adjust To 15 Different Positions

### 24" UNDERCOUNTER BEVERAGE CENTER

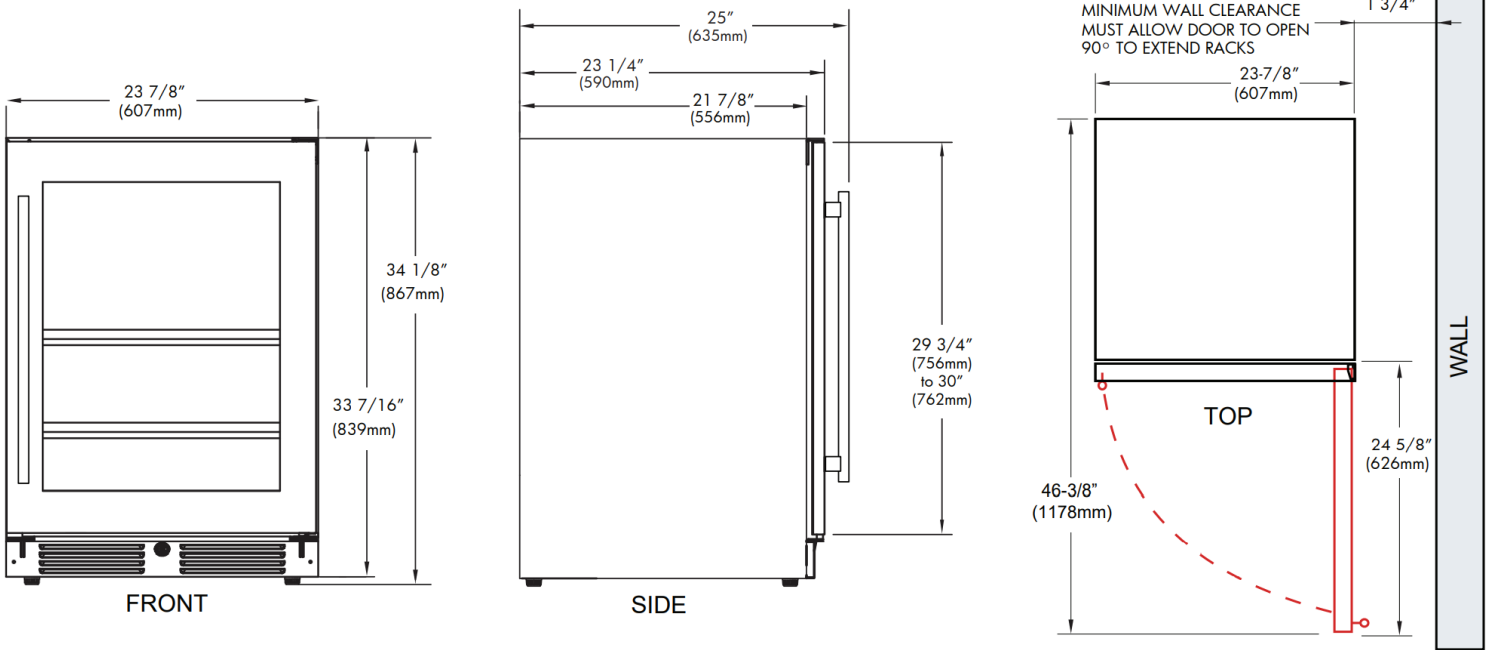
Store up to 145 (12oz) cans at a frosty 34° to 50° F and still find just what you are looking for. The clear glass shelves fully extend while fully loaded enabling you to see the entire contents at a glance. No more fumbling around or emptying the unit to find what you want.

And because beverages come in all shapes and sizes, the shelves of your XO beverage center can quickly adjust to 15 different levels.

WORLD CLASS SERVICE | COMPREHENSIVE WARRANTIES

OUR LASTING COMMITMENT TO YOU

\*Specify **R** for right hand hinge - or - **L** for left hand hinge



## FEATURES

## SPECIFICATIONS

### CAPACITY

Full extension clear glass shelves hold 145 (12oz) cans at 34° to 50° F

### FEATURES

- Secure door lock
- Non- reversible door - specify right or left hinge
- Library quiet 39 dBA operation
- Elegant tri-color interior illumination
- Removable 6 bottle wine rack
- Intuitive digital touch controls
- 6-1/2' Power Cord with low profile 90 flat plug
- Low E Glass blocks harmful UV light
- Alarm Functions
- Energy Saver and Sabbath Mode

**ELECTRICAL** 120V 60HZ 4.35 AMP\*

**DIMENSIONS**  
 H 34 1/8"  
 W 23 7/8"  
 D 23 1/4"

**ROUGH IN**  
 H 34 1/4" min  
 W 24"  
 D 24"

**REFRIGERANT** R600A

**WEIGHT** 149 lbs



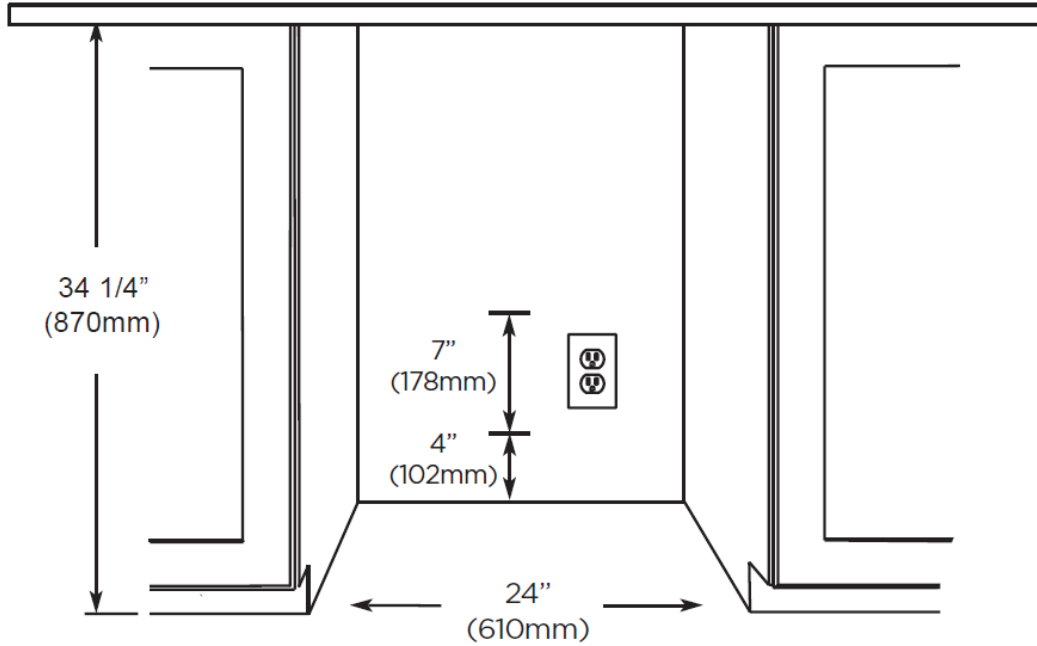
Includes Removable 6 Bottle Wine Rack



DESIGNER Handle Included



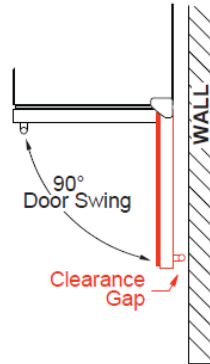
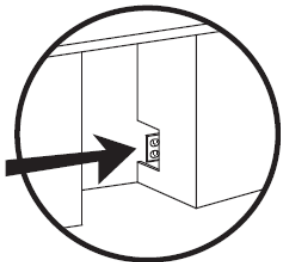
## ROUGH IN DIMENSIONS



ALL XO UNDERCOUNTER  
UNITS ARRIVE PRE-WIRED  
WITH LOW PROFILE PLUGS  
FOR EASY INSTALLATION



NEED MORE SPACE -  
CUT INTO AN ADJOINING  
CABINET TO REACH AN  
OUTLET THERE



WHEN INSTALLING WITH  
THE HINGE SIDE NEXT TO A WALL -  
LEAVE 1-3/4" CLEARANCE GAP FOR  
CABINET HANDLES

DOOR MUST BE ABLE TO OPEN  
A MINIMUM OF 90°.

CONSULT THE MANUAL FOR  
INSTRUCTIONS ON CHANGING  
THE DOOR STOP SETTING.